



# Jauch Battery Solutions

- Reliable energy for your application
- Standard cells and customized packs
- ESD protection
- Battery Certification Experts



RoHS compliant Pb free



REACH compliant



Conflict mineral free

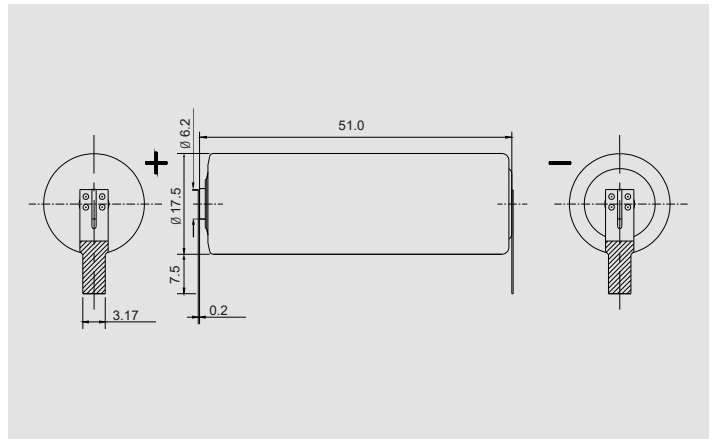
## Technical Data Sheet · ER17505J-T

### SPECIFICATIONS

Cell Size reference	A
Chemistry	Li-SoCl <sub>2</sub>
UI 1642	MH62838
Nominal Voltage	3.6V
Jauch No.	248241
Nominal Capacity	3.6 Ah
Max. Continuous Current	130 mA
Max. Pulse Current	180 mA (180mA/0,1 sec pulses, drained every 2 min at 25 °C)
Operating Temperature	-60 °C to +85 °C*
Storage	30 °C max
Weight	Approx. 26g

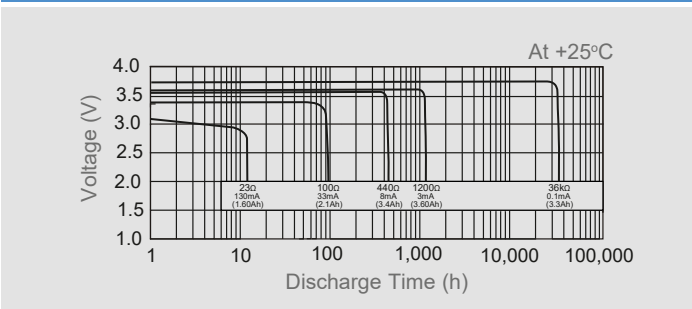
\* In applications where the battery is exposed to temperatures >85°C, please contact Jauch.

### DIMENSIONS (mm)

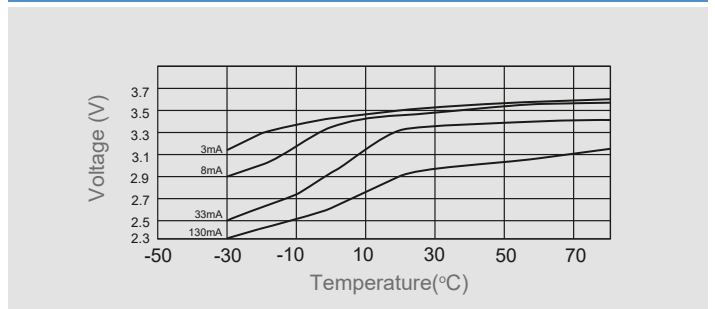


Available Terminals and Wire Connectors: please contact Jauch for diagram of batteries with terminals ([batterytechnology@jauch.com](mailto:batterytechnology@jauch.com)).

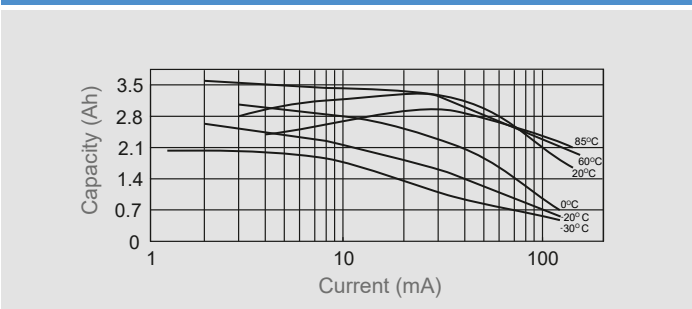
### DISCHARGE CHARACTERISTICS



### VOLTAGE VS. TEMPERATURE



### CAPACITY VS. CURRENT



### STORAGE CHARACTERISTICS

