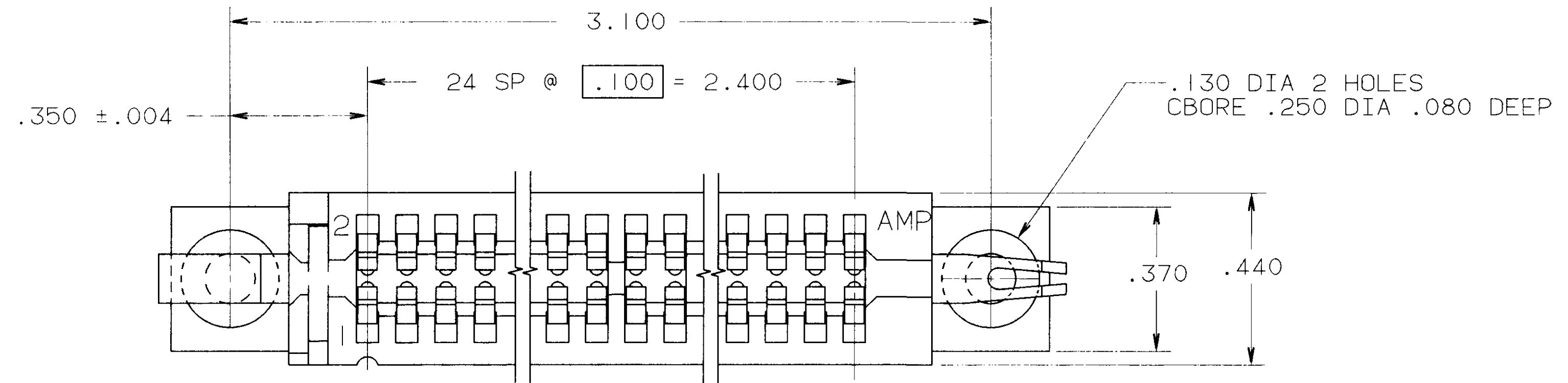
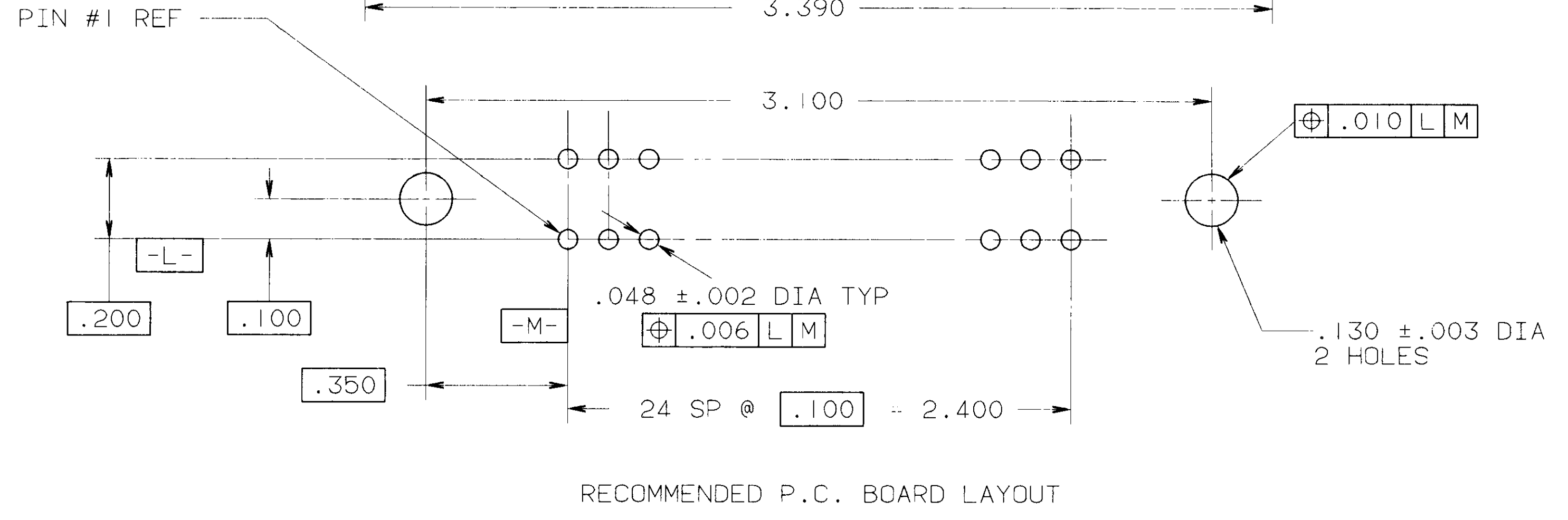
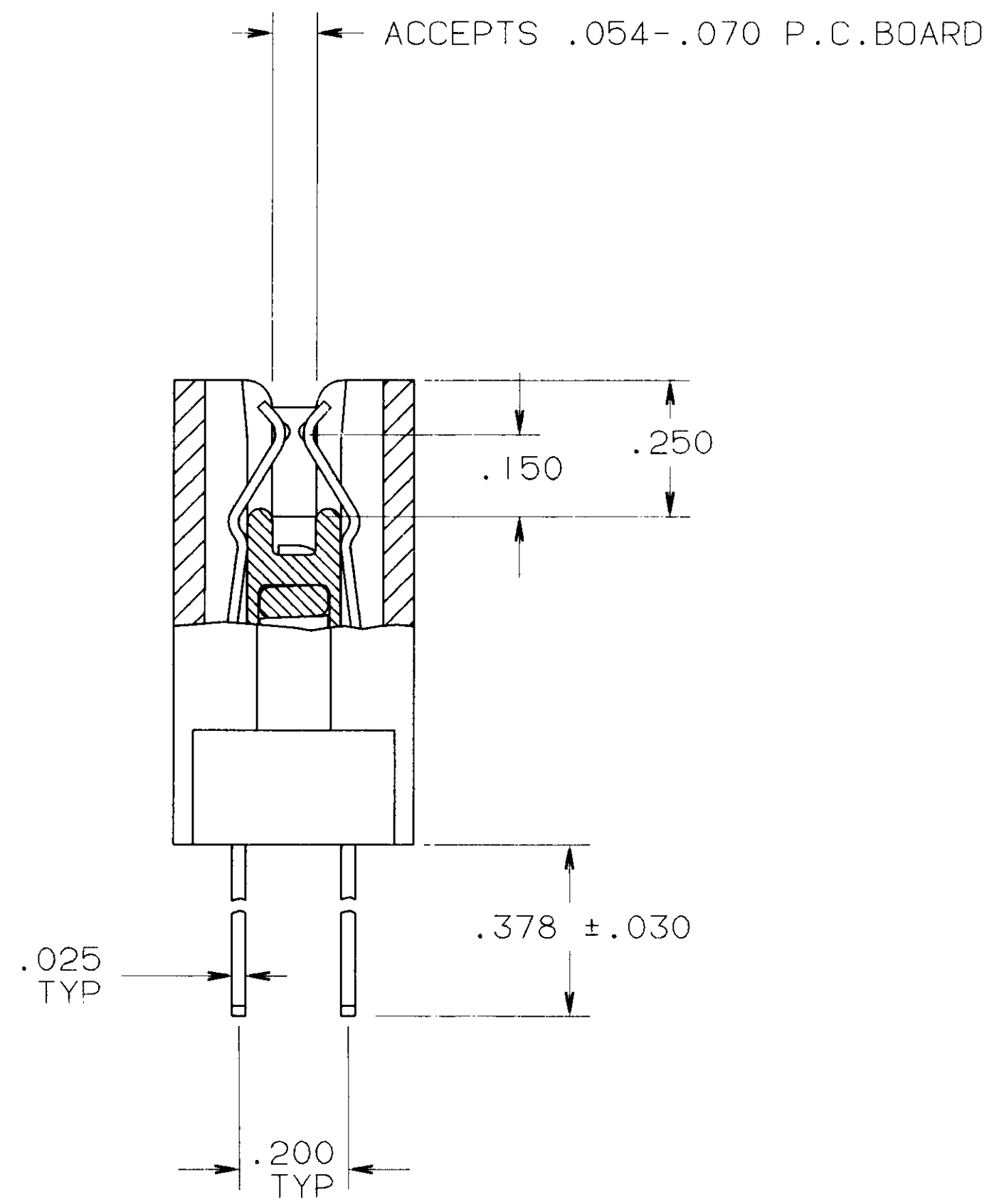
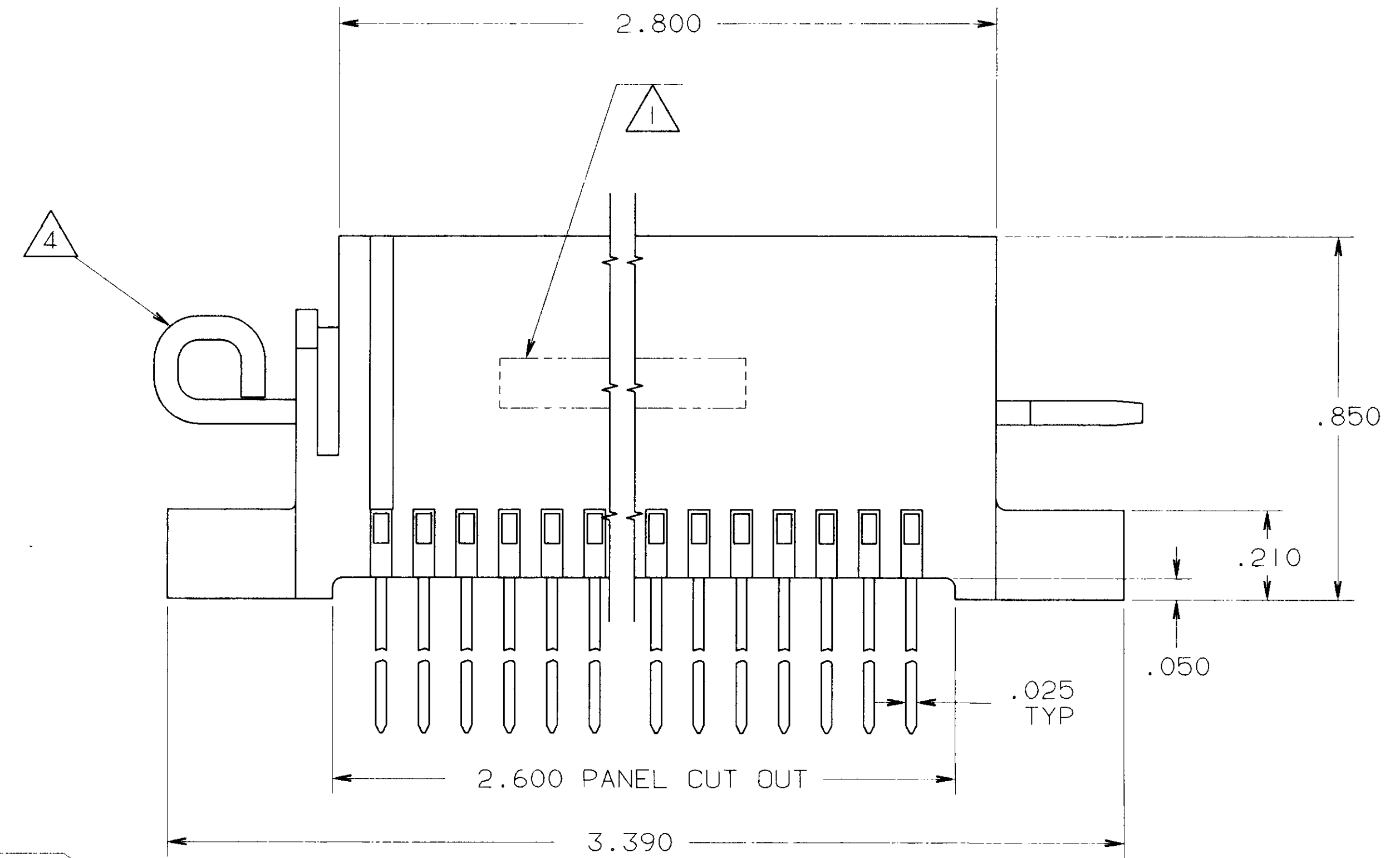


LOC	DIST	REVISIONS			
AD	14	ZONE	LTR	DESCRIPTION	DATE
		0		REL-1 PER 88-5241-00	4/88
					APPD
					LW



- 1 PART NUMBER AND DATE CODE STAMPED IN THIS AREA ON EITHER SIDE.
- 2 CONTACT: COPPER ALLOY
HOUSING: GLASS FILLED POLYESTER 94 VO, COLOR-BLACK
CAM KEY: STAINLESS STEEL
- 3 CONTACT: .000050 MIN NICKEL ALL OVER, .000030 GOLD SELECTIVE PLATED IN CONTACT AREA AND ON POSTS.
- 4 CAM ACTUATOR SHIPPED WITH EACH CONNECTOR. INSERT CAM FROM END SHOWN. DO NOT ROTATE CAM UNTIL FULLY INSERTED, ROTATING WITH A SIX POINT, .250 INCH NUT DRIVER, IN A CLOCKWISE DIRECTION.



UNLESS OTHERWISE SPECIFIED DIMENSIONS ARE IN INCHES TOLERANCES ON: 2 PL DEC ± .010 3 PL DEC ± .010 ANGLES ± 0° 30'		DR L. WAREHAM 4/88 CHK D. GORENC 4/88 APPD D. GORENC 4/88	25 DUAL POSITION	650171-1 PART NO
MATERIAL	FINISH	AMP INCORPORATED Harrisburg, Pa. 17105	ROTARY ZIF CONNECTOR , OPEN BOTH ENDS .100 X.200 CENTERS	
		SIZE D	FSCM NO 00779	DRAWING NO 650171
		SCALE 4:1	SHEET 1 OF 1	