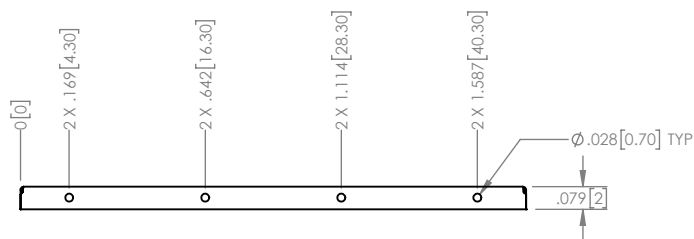
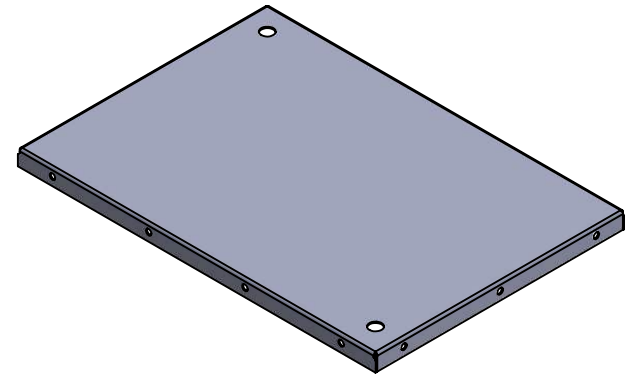
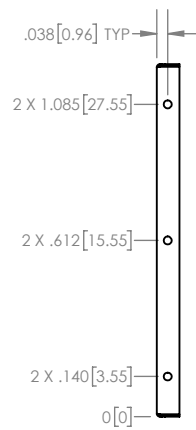
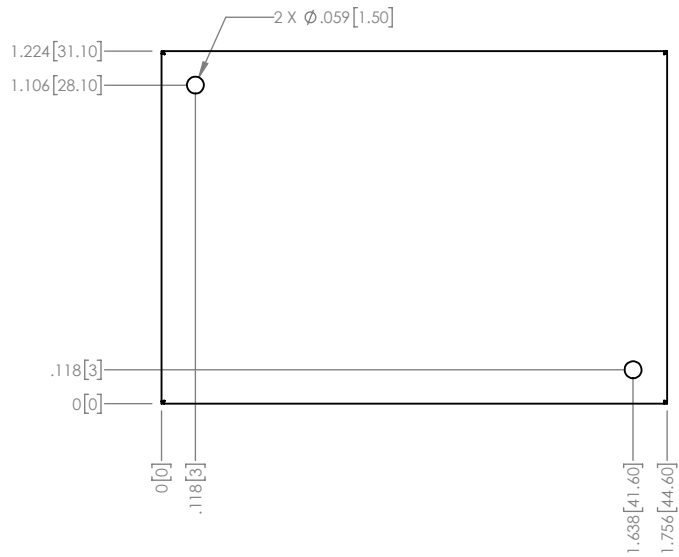


NOTES:

- MATERIAL: 0.006" TIN PLATED STEEL PER ASTM A623/A624



PROPRIETARY NOTICE: THESE DRAWINGS, LISTS OR SPECIFICATIONS ARE THE CONFIDENTIAL INFORMATION AND/OR TRADE SECRETS OF 3G SHIELDING SPECIALTIES (P), AND SHOWN IN STRICT CONFIDENCE EXCEPT AS AUTHORIZED BY 3G SHIELDING SPECIALTIES IN WRITING. THESE DRAWINGS, LISTS OR SPECIFICATIONS SHALL NOT BE REPRODUCED, TRANSMITTED, LENT, FOR FILE DESIGN, MANUFACTURE OR SALE OF EQUIPMENT OR USED FOR ANY OTHER PURPOSES WITHOUT WRITTEN EVALUATION.

UNLESS OTHERWISE SPECIFIED  
U/M INCHES  
TOLERANCE  $\pm 0.005$

ROHS COMPLIANCE 2011/65/EU

DATE 16-01-26



PART NUMBER	REV.
PIC-S-210C	0
DESCRIPTION	SHIELD COVER
SCALE	SHEET 1 OF 1
1.5:1	