


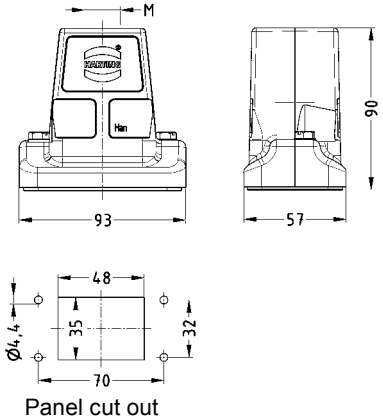

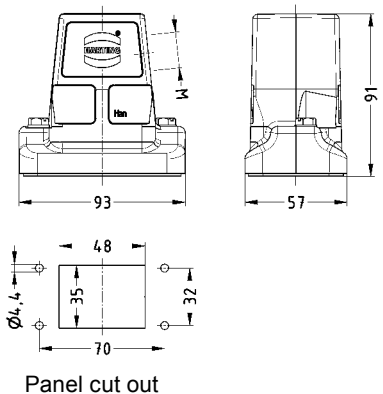

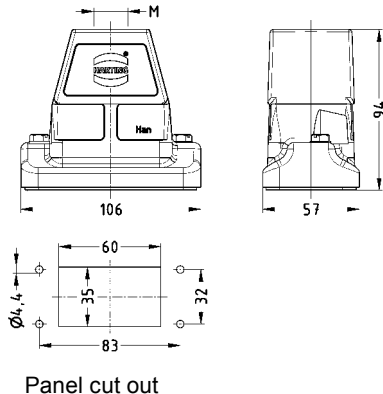

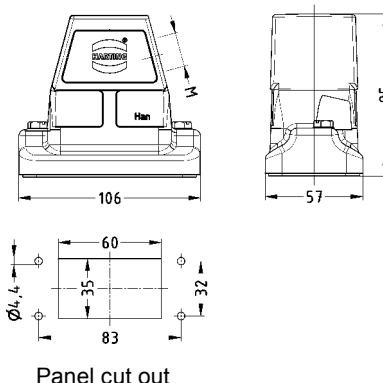



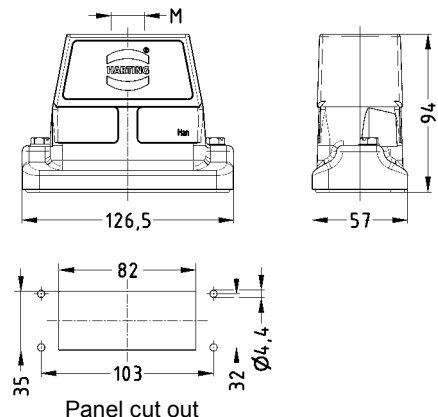

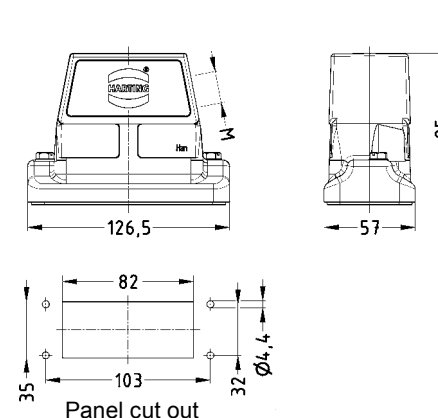

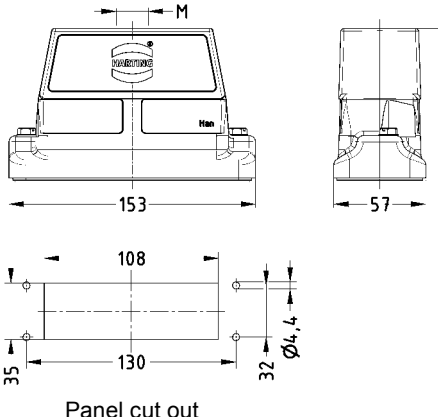

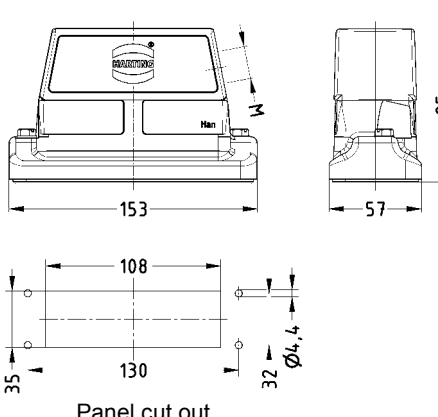
Features


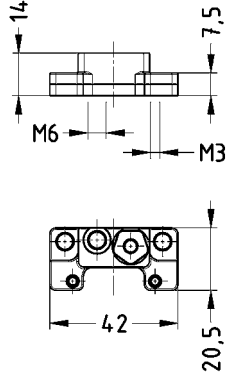

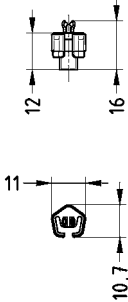
- System of hoods without using a bulkhead mounted housing on the device side
- Hoods in sizes 6 B, 10 B, 16 B and 24 B
- Suitable for all inserts Han® B
- Top and side entry ranging from M20 to M40 for all sizes
- Optional coding by means of two coding elements
- Panel cut-outs compatible with standard Han® B panel cut-outs
- High EMC resistance

Technical characteristics

| | |
|---|--------------------------------|
| Specifications | DIN EN 61984 DIN EN 60664-1 |
| Hoods | |
| Material | aluminium die-cast |
| Colour | unpainted |
| Surface | |
| - top coat | electrically conductive |
| Locking element | |
| Screw locking | M6 |
| Material | stainless steel |
| Tightening torque | 4 Nm |
| Hoods seal | NBR (conductive) |
| Mounting flange | |
| Material | zinc die-cast |
| Colour | unpainted |
| Surface | electrically conductive |
| Coding element | |
| Material | polycarbonate |
| Color | red |
| Limiting temperatures | -40 °C ... +125 °C |
| Protection degree acc. to DIN EN 60529 in locked position | IP66 / IP68 / IP69K |

| Identification | Part number | Cable entry | Drawing | Dimensions in mm |
|--|--|------------------------------------|--|------------------|
| <p>Han® 6 HP Direct EMC</p> <p>Hoods top entry</p>  | <p>19 39 806 0445 19 39 806 0446 19 39 806 0447 19 39 806 0448</p> | <p>M20 M25 M32 M40</p> |  <p>Panel cut out</p> | |
| <p>Han® 6 HP Direct EMC</p> <p>Hoods side entry</p>  | <p>19 39 806 0545 19 39 806 0546 19 39 806 0547 19 39 806 0548</p> | <p>M20 M25 M32 M40</p> |  <p>Panel cut out</p> | |
| <p>Han® 10 HP Direct EMC</p> <p>Hoods top entry</p>  | <p>19 39 810 0445 19 39 810 0446 19 39 810 0447 19 39 810 0448</p> | <p>M20 M25 M32 M40</p> |  <p>Panel cut out</p> | |
| <p>Han® 10 HP Direct EMC</p> <p>Hoods side entry</p>  | <p>19 39 810 0545 19 39 810 0546 19 39 810 0547 19 39 810 0548</p> | <p>M20 M25 M32 M40</p> |  <p>Panel cut out</p> | |

| Identification | Part number | Cable entry | Drawing | Dimensions in mm |
|--|--|------------------------------------|---|------------------|
| <p>Han® 16 HP Direct M EMC</p> <p>Hoods top entry</p>  | <p>19 39 816 0445 19 39 816 0446 19 39 816 0447 19 39 816 0448</p> | <p>M20 M25 M32 M40</p> |  <p>Panel cut out</p> | |
| <p>Han® 16 HP Direct MEMC</p> <p>Hoods side entry</p>  | <p>19 39 816 0545 19 39 816 0546 19 39 816 0547 19 39 816 0548</p> | <p>M20 M25 M32 M40</p> |  <p>Panel cut out</p> | |
| <p>Han® 24 HP Direct EMC</p> <p>Hoods top entry</p>  | <p>19 39 824 0445 19 39 824 0446 19 39 824 0447 19 39 824 0448</p> | <p>M20 M25 M32 M40</p> |  <p>Panel cut out</p> | |
| <p>Han® 24 HP Direct EMC</p> <p>Hoods side entry</p>  | <p>19 39 824 0545 19 39 824 0546 19 39 824 0547 19 39 824 0548</p> | <p>M20 M25 M32 M40</p> |  <p>Panel cut out</p> | |

| Identification | Part number | Drawing | Dimensions in mm |
|--|-----------------------|---|------------------|
| <p>Mounting flanges Set of 2 pieces</p>  | <p>09 39 000 9902</p> |  | |
| <p>Coding elements Set of 4 pieces</p>  | <p>09 39 000 9903</p> |  | |
| | | | |