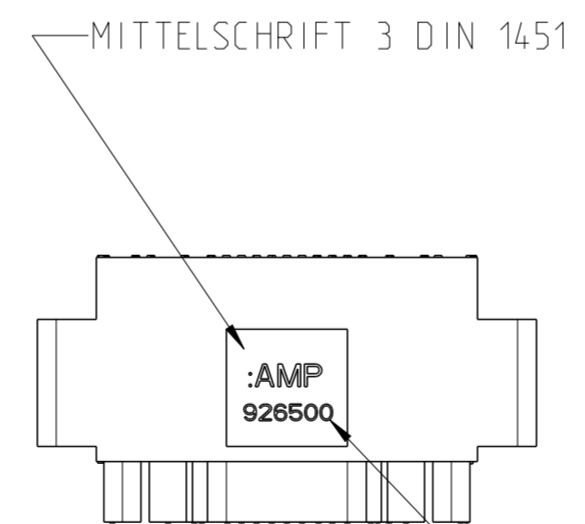
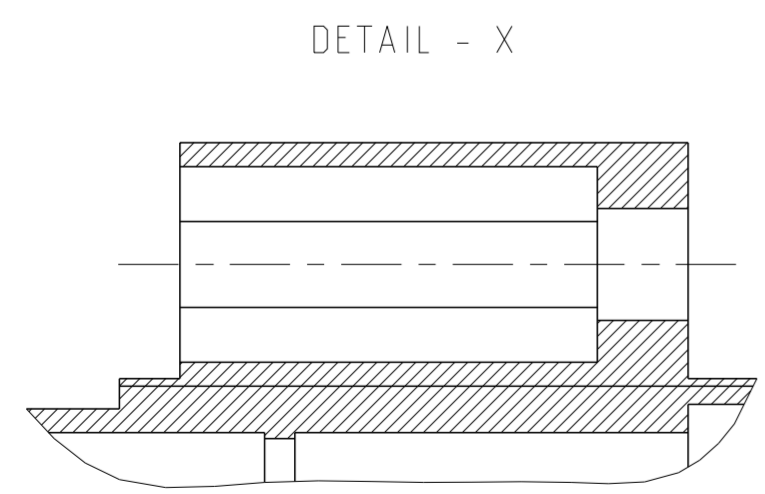
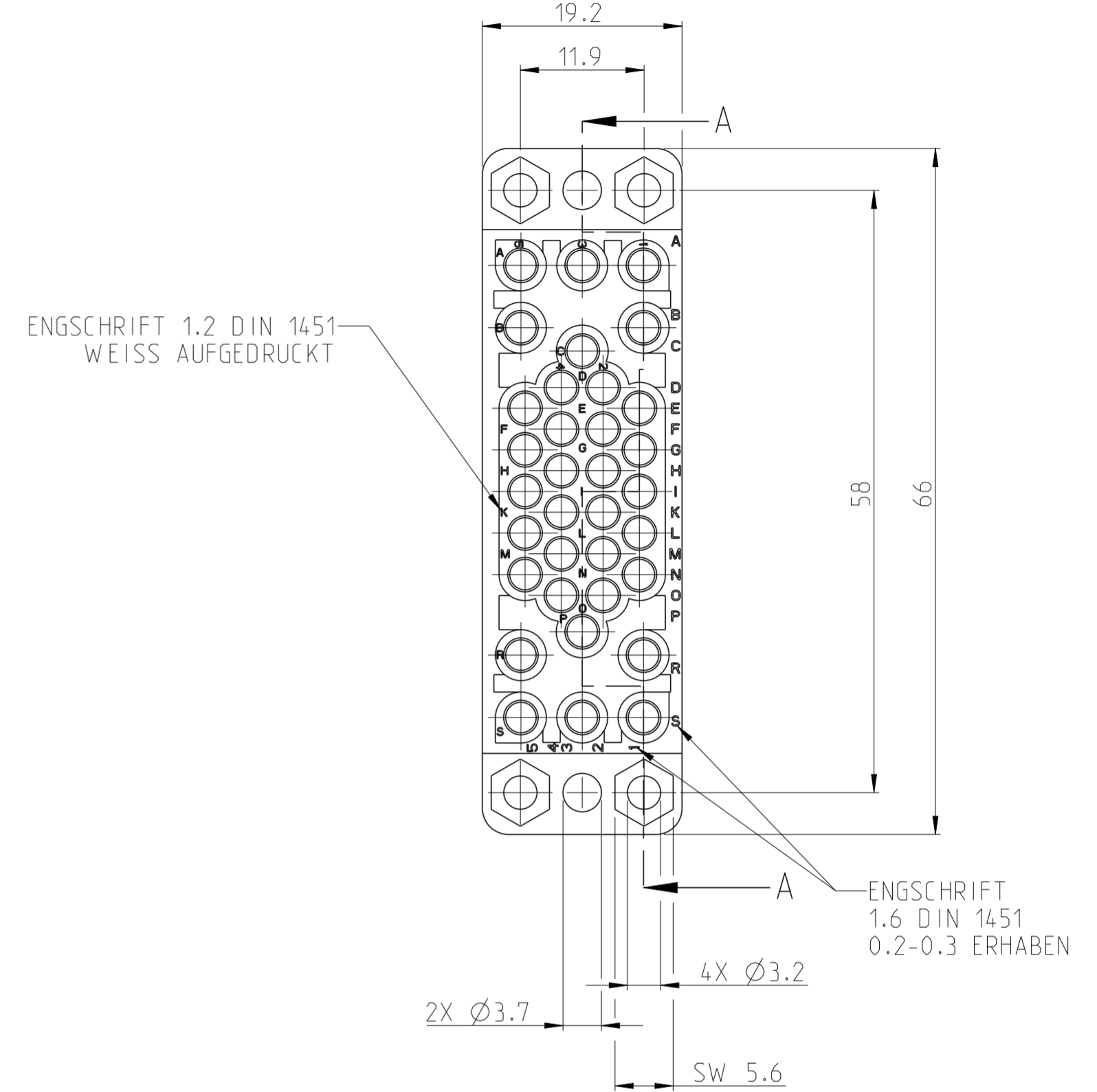
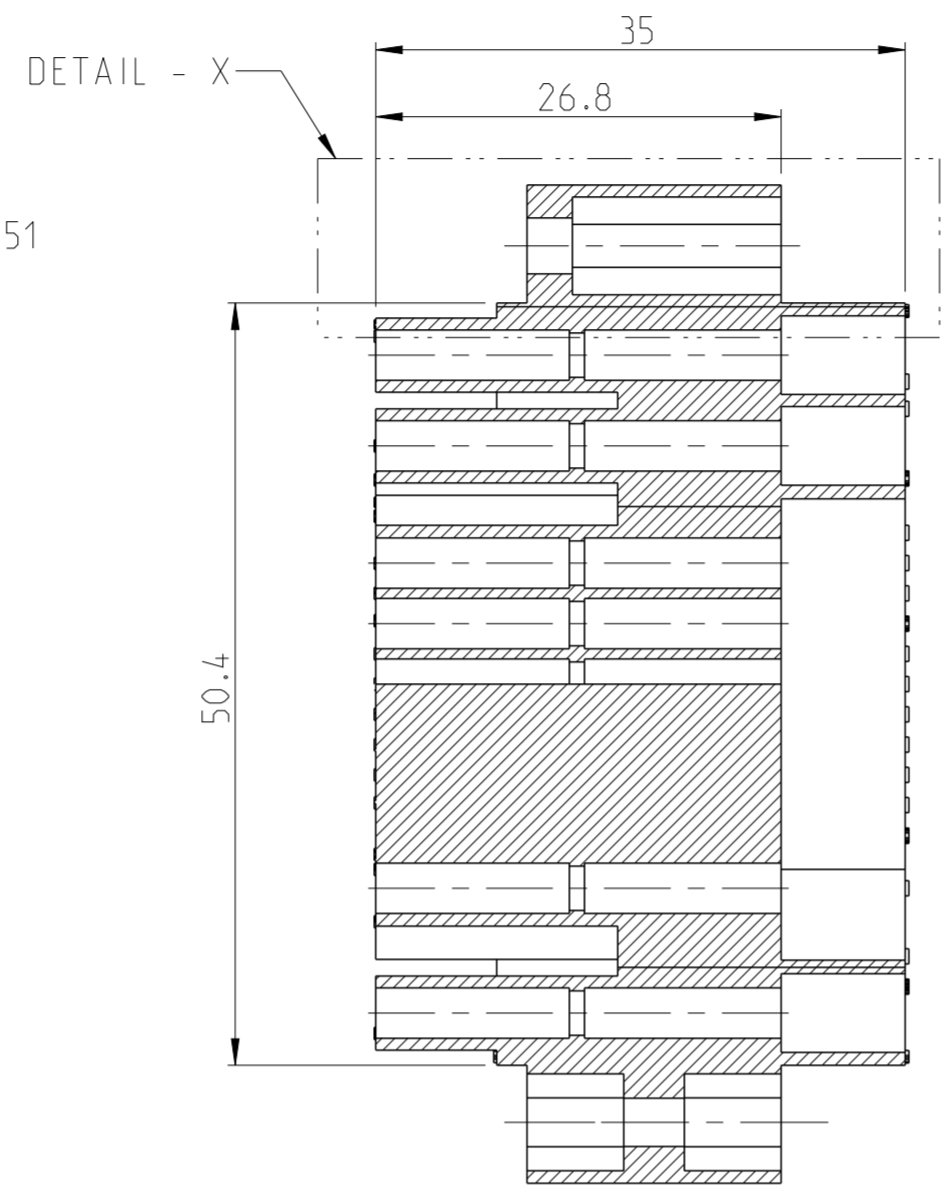
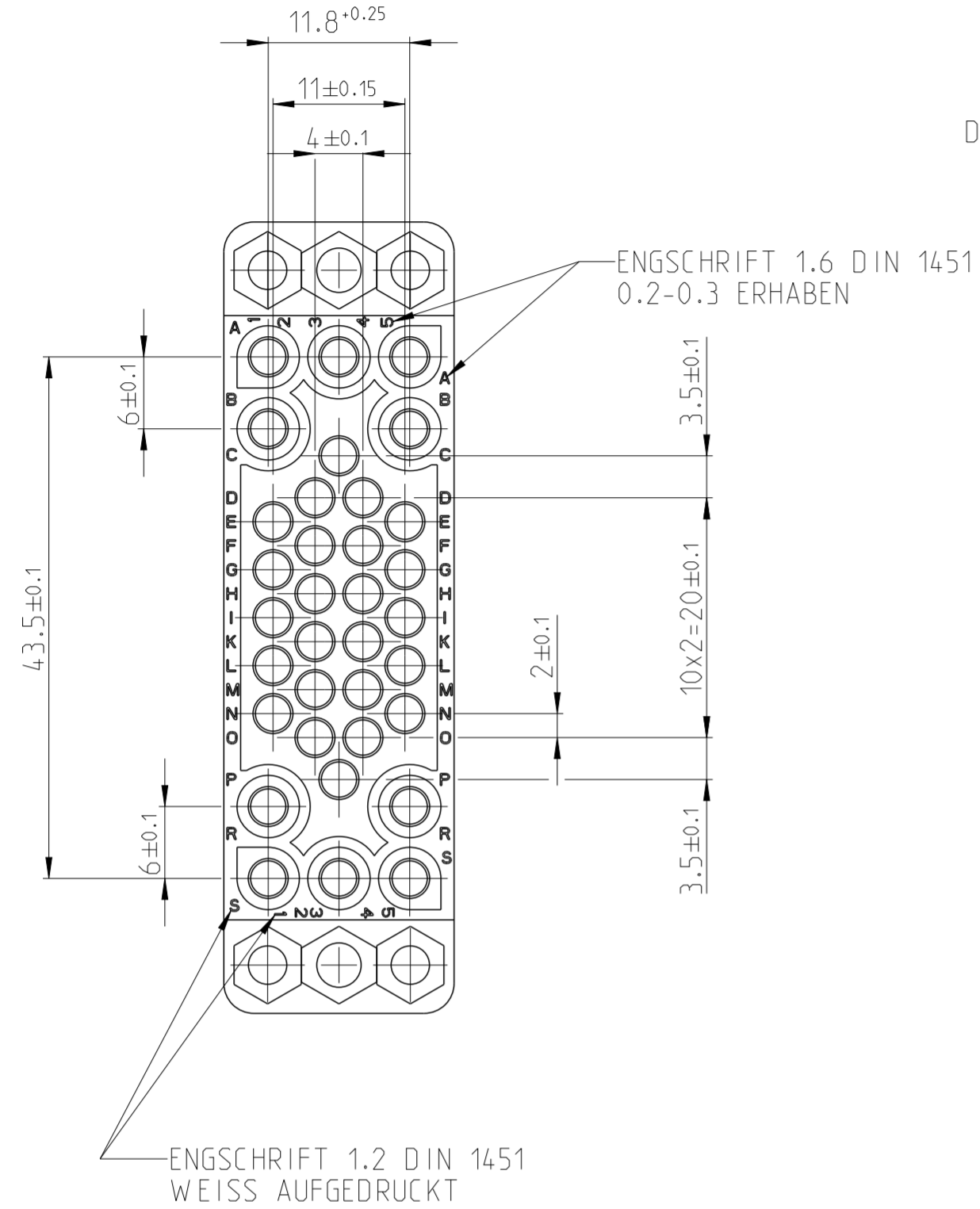


THIS DRAWING IS UNPUBLISHED. RELEASED FOR PUBLICATION 20
 © COPYRIGHT 20 BY - ALL RIGHTS RESERVED.

REVISIONS					
P	LTR	DESCRIPTION	DATE	DWN	APVD
B2		DIM 12.1 CORRECTED TO 11.8 IN ZONE D4	27JAN2014	TJ	JK
C		REVISED PER ECO-20-006378	27MAY2020	SM	JMV



- 1 FORTRON 1140L6 PPS BLACK SD3002, A 1-703391-0 40% GL Fbr Reinf
- 2 OBSOLETE PARTS: OBSOLETE CIS STREAMLINING PER D.RENAUD/D.SINSI

2	SEE DETAIL-X	926500-2	1	SCHWARZ
		926500-1	1	SCHWARZ
	Bestell-Nr.	Werkstoff		Oberfläche

926500-2 2
OBSOLETE

BESTELL-NR: MITTELSCHRIFT 2 DIN 1451

THIS DRAWING IS A CONTROLLED DOCUMENT.

DIMENSIONS: mm	TOLERANCES UNLESS OTHERWISE SPECIFIED: ±0.2mm	DWN MOHAMMED THAJUDEEN 26NOV2013 CHK PRASHANTH 26NOV2013 APVD JAYANTH KUMAR 26NOV2013	TE Connectivity	
MATERIAL	FINISH	PRODUCT SPEC	34 POS. M-SERIES HOUSING	
SEE TABLE	SEE TABLE	APPLICATION SPEC	SIZE A2	RESTRICTED TO
		WEIGHT	CAGE CODE -	DRAWING NO. 926500
		CUSTOMER DRAWING	SCALE 2:1	SHEET 1 OF 1