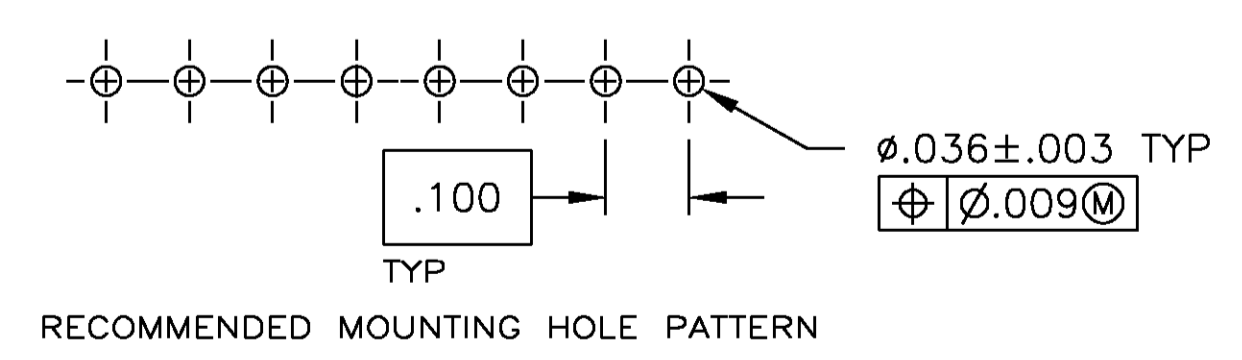
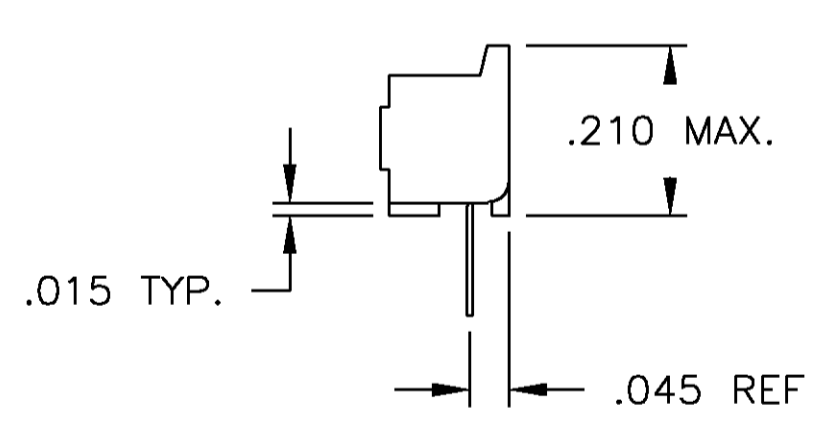
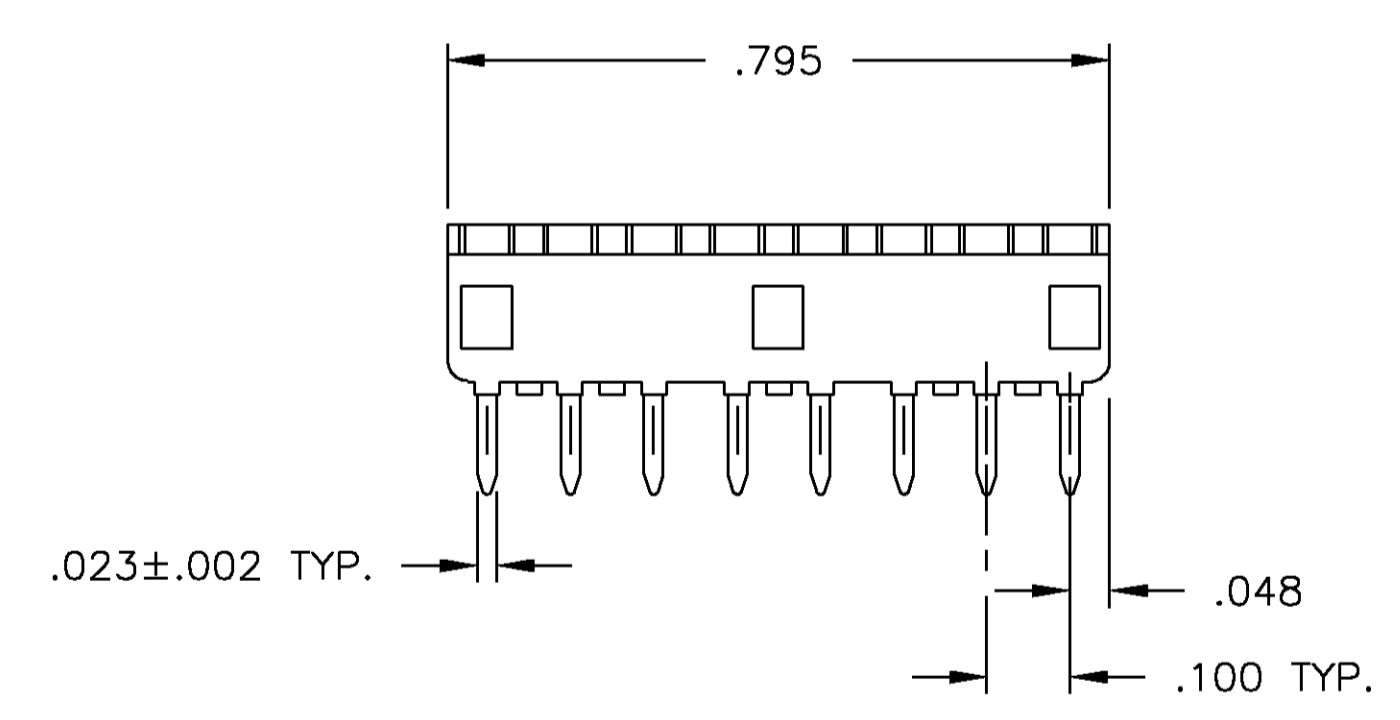
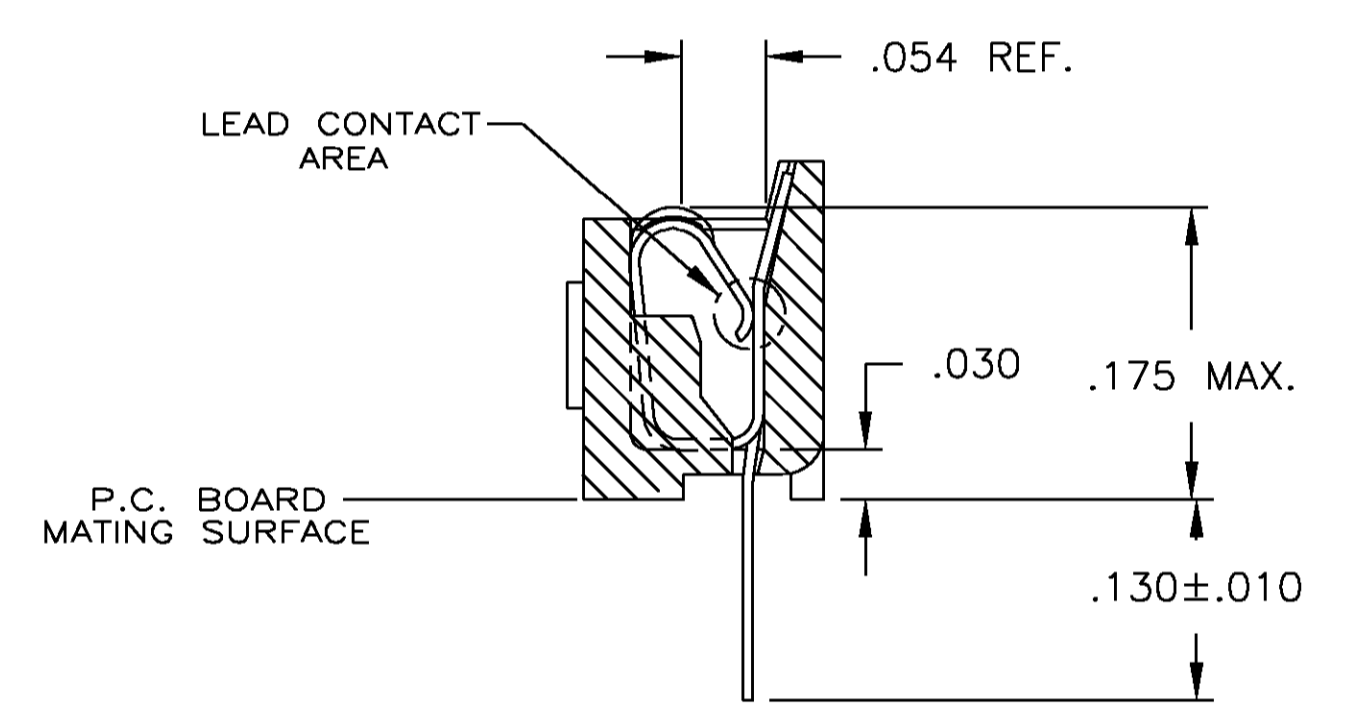


SECTION A-A
ROTATED 90° CW
SCALE 10:1
FOR -6, -7 & -8 ONLY



- RECEPTACLE ACCEPTS AN .008-.014 THK. I.C. LEAD.
- TWO .000030 MIN.THK.GOLD STRIPES IN CONTACT AREA, TIN-LEAD(93-7) ON CONTACT LEGS, BALANCE OF CONTACT NICKEL PLATED.
- TWO .000015 MIN.THK.GOLD STRIPES IN CONTACT AREA, TIN-LEAD(93-7) ON CONTACT LEGS, BALANCE OF CONTACT NICKEL PLATED.



SECTION A-A
ROTATED 90° CW
SCALE 10:1
FOR -1, -2 & -3 ONLY

	TINNED	PHOS.BRZ.	GLASS-FILLED THERMOPLASTIC, 94V-0, BLACK	643640-8	
OBSOLETE	▲	BE.CU.	GLASS-FILLED THERMOPLASTIC, 94V-0, BLACK	643640-7	
	TINNED	BE.CU.	GLASS-FILLED THERMOPLASTIC, 94V-0, BLACK	643640-6	
SUPSD BY 643640-2	▲	PHOS.BRZ.	GLASS-FILLED THERMOPLASTIC, 94V-0, BLACK	643640-4	
OBSOLETE	▲	TINNED	PHOS.BRZ.	GLASS-FILLED THERMOPLASTIC, 94V-0, BLACK	643640-3
	▲	BE.CU.	GLASS-FILLED THERMOPLASTIC, 94V-0, BLACK	643640-2	
	TINNED	BE.CU.	GLASS-FILLED THERMOPLASTIC, 94V-0, BLACK	643640-1	

CONTACT FINISH		CONTACT MAT'L		HOUSING MATERIAL		PART NO.	
THIS DRAWING IS A CONTROLLED DOCUMENT.							
DIMENSIONS:		TOLERANCES UNLESS OTHERWISE SPECIFIED:		DRW		DATE	
INCHES		0 PLC ± .005		M. CYRUS 8-14-84		7-3-84	
1 PLC ± .005		1 PLC ± .005		N. JONES 7-3-84			
2 PLC ± .005		2 PLC ± .005		J. GRAY 7-10-84			
3 PLC ± .005		3 PLC ± .005		AMPD		NAME	
4 PLC ± .005		4 PLC ± .005		N. JONES		T. JONES	
ANGLES ± .5		ANGLES ± .5		PRODUCT SPEC		108-1066	
MATERIALS SEE TABLE		FINISH SEE TABLE		APPLICATION SPEC		114-1049	
WEIGHT		WEIGHT		SIZE		CAGE CODE	
CUSTOMER DRAWING		CUSTOMER DRAWING		A1		00779	
SCALE 5:1		SCALE 5:1		DRAWING NO		643640	
SHEET 1 OF 1		SHEET 1 OF 1		RESTRICTED TO		-	