



Mallory Sonalert Products, Inc.

Part #: **MSE14LSU2**

Sales Outline Drawing

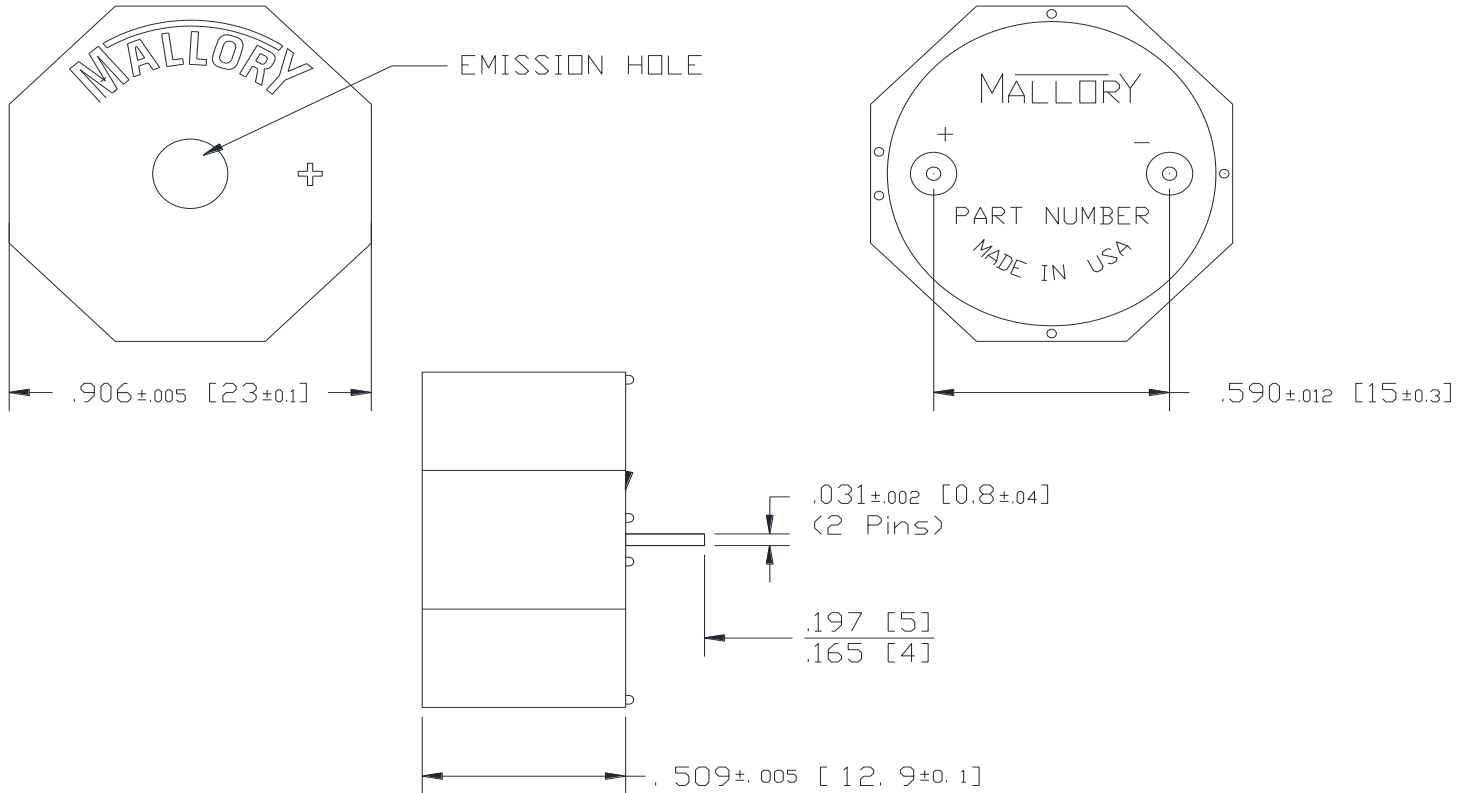
Revision: **C**

Specifications:

| | |
|-----------------------|--|
| Sound Level Category | Loud |
| Mode of Operation | Fast Speed Up @ 0.5 -8 PPS in 30 Seconds |
| Voltage Rating | 7 to 14 VDC |
| Frequency | 3900 ± 500 Hz |
| Loudness @ 1 FT | 85 to 95 dB(A) Typ. |
| Current Draw | 50mA MAX |
| Housing Material | Valox (UL94V-0), Color: Black |
| Storage Temperature | -40° to +80° C |
| Operating Temperature | -40° to +65° C |
| Weight (Typical) | 4.0g |
| Options | Please contact factory. |

Dimensions: Inches (mm)

ROHS Compliant



NOTE A:
TERMINALS - .031" DIA. NICKEL/TIN COATED BRASS.

NOTE B:
MOUNTING- INSERT INTO PRINTED CIRCUIT BOARD AND HAND OR MACHINE SOLDER.
UNITS ARE SUITABLE FOR WAVE SOLDERING. RECOMMENDED MAXIMUM TEMPERATURE
AND TIME DURATION FOR WAVE SOLDERING IS +270°C AND 3 SECONDS RESPECTIVELY.