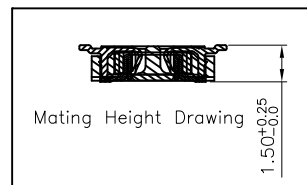


A-A



Compliance with:  
PCIe4.0(GT/S),  
USB4 Gen3(40Gbps),  
USB3.2 Gen2(10Gbps).  
Mating with:  
"BAAD-030G1120NOLI-B"

**BBAD - 030 G1 145 BOLI - B**

Number of Contact  
30 Contacts

Contact Plating  
G1 Gold flash

Height  
H 1.45mm

Base Color  
B Black

Plastic  
L LCP

Packing  
I Reel

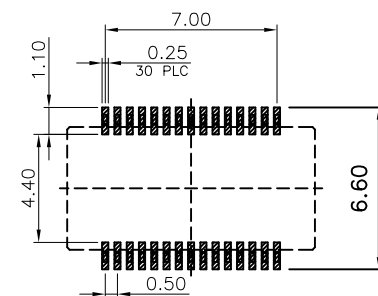
Series No.

O Without locating Peg without fitting nail

REV.	DESCRIPTION	DATE
A	New Drawing	2013/11/27
B	Modified for Customer Request ▲	2017/04/17

LTR	Part Name	Material	Description	QTY
1	Housing	LCP UL94V-0	260°C for 10 Seconds. Initial : 1000M Ohms Min.	1
2	Contact	Bronze C5191	Current Rating : 0.5 A Initial : 30m Ohms Max.	30

Temperature Rating : -40°C ~ +105°C .  
Dielectric Withstanding Voltage : 300 V AC/Min



▨ : STAND OFF AREA

## P.C.B LAYOUT

RoHS compliant

# Superior Tech Co., Ltd.

General Tolerance

TITLE

PH0.5 BTOB H1.45 30PIN Male

X. ± 0.5

DRAWN

DATE

NO.

.X ± 0.3

Tom

04-17-17'

002

.XX ± 0.2

CHECK

DATE

PART NO.

BBAD-030G1145BOLI-B

.XXX ± 0.1

APPROVED

DATE

CUSTOMER NO.

DK

REV.

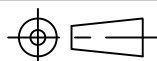
B

UNIT

mm

SCALE

1:1

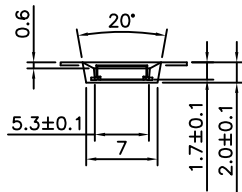
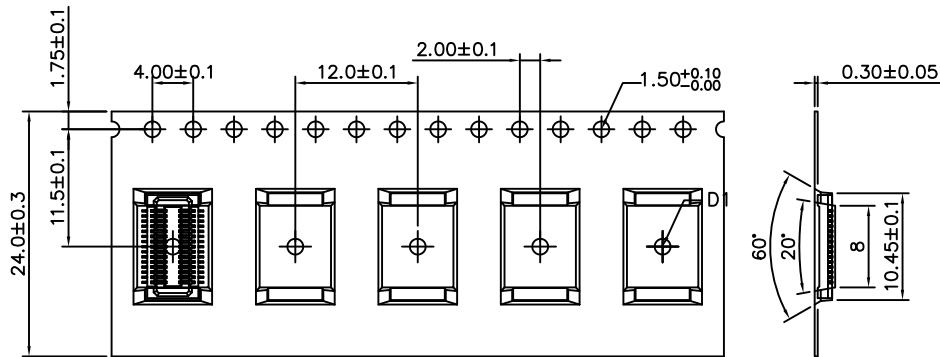
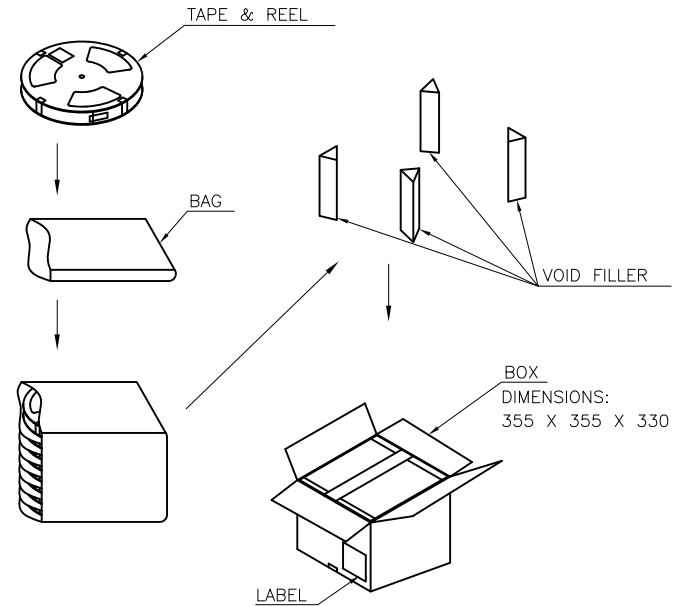
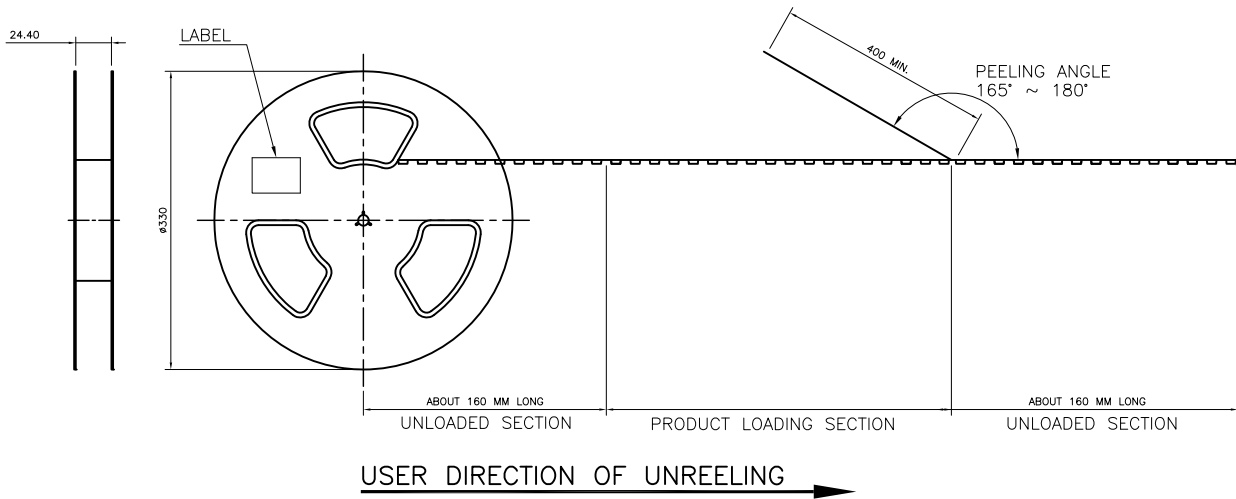


Angle

± 5°

(Q2-R03-01A) ST-R05-07

REV.	DESCRIPTION	DATE
A	New Drawing	2013/12/09



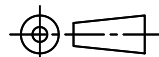
Note:  
 1. All dimensions meet EIA-481-C requirements.  
 2. Thickness : 0.3±0.05mm

PIN No.	PCS/R	R/CTN
30PIN	2500 PCS	11 R

**Superior Tech Co., Ltd.**

<b>General Tolerance</b>		<b>TITLE</b>	<b>BBAD-030G1145BOLI-B_Packing</b>	
X. ± 0.5		<b>DRAWN</b> Tom	<b>DATE</b>	<b>NO.</b>
.X ± 0.3			2013/12/09	002
.XX ± 0.2		<b>CHECK</b>	<b>DATE</b>	<b>PART NO.</b>
.XXX ± 0.1		<b>APPROVED</b>	<b>DATE</b>	<b>BBAD-030G1145BOLI-B</b>
<b>Angle</b>	± 5°			<b>CUSTOMER NO.</b>

REV.	UNIT	SCALE
	mm	



(Q2-R03-01A) ST-R05-07