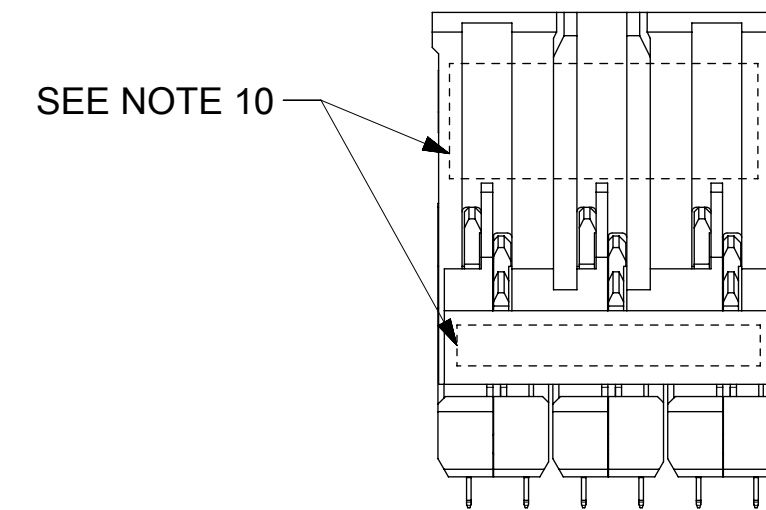
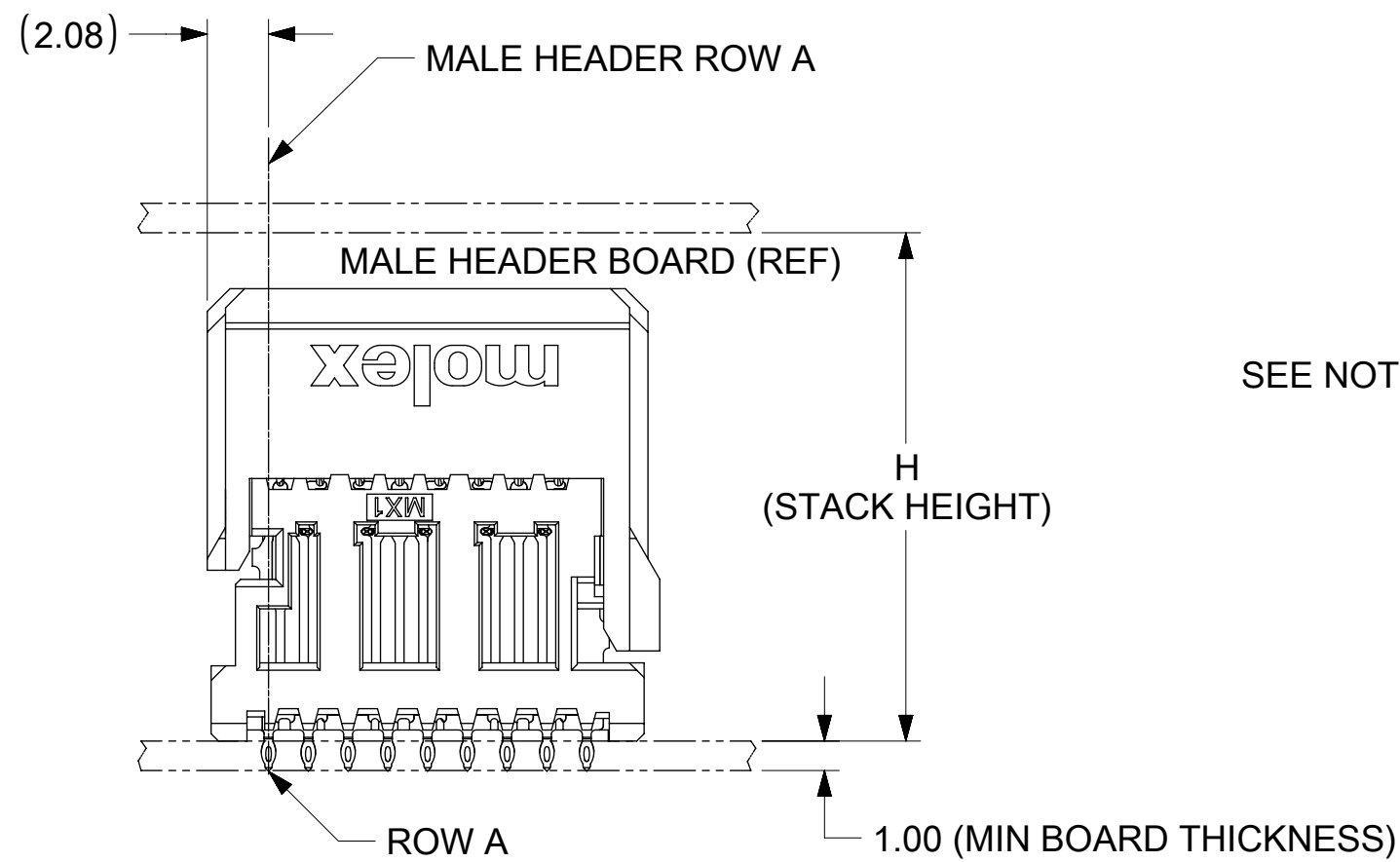
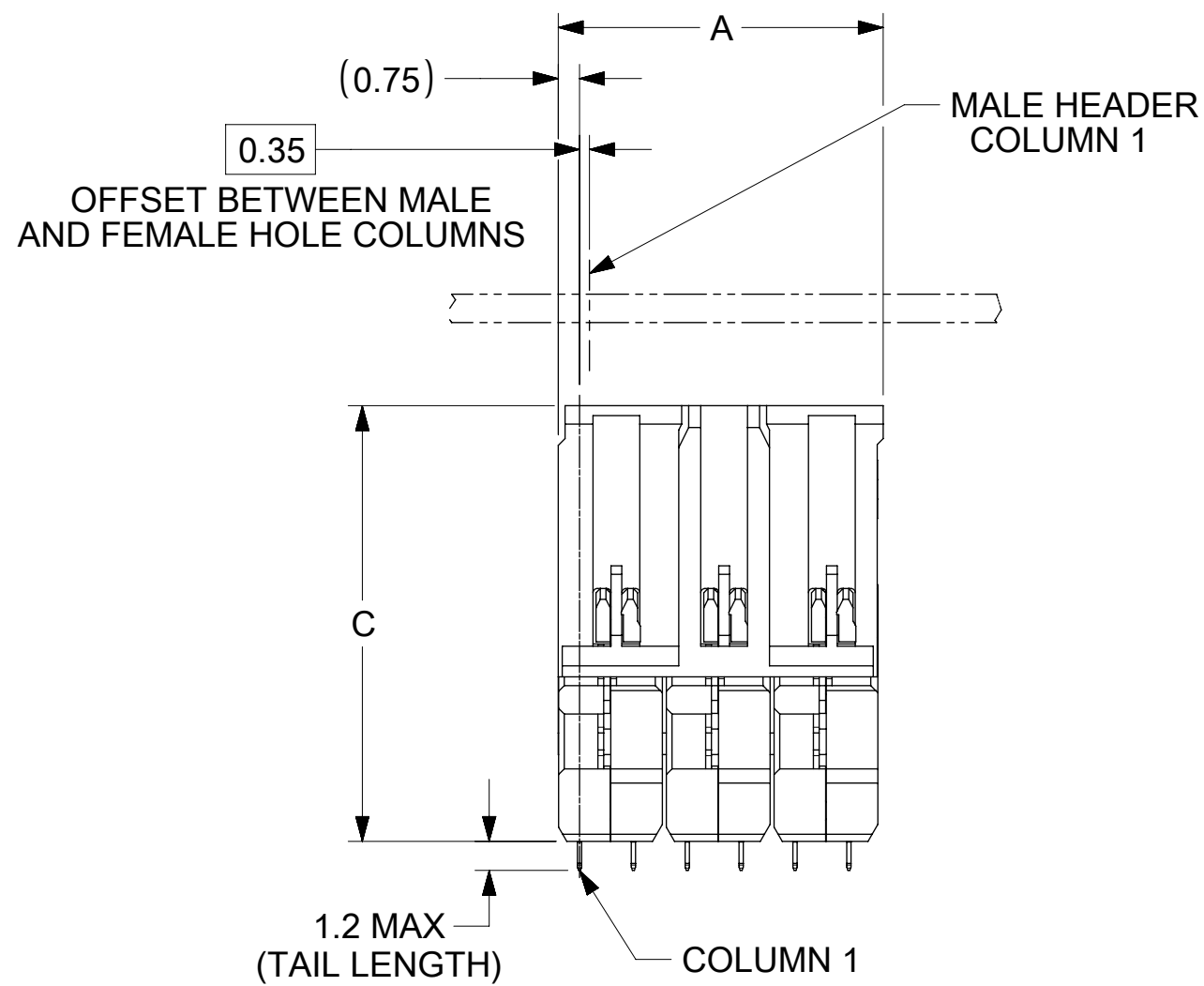
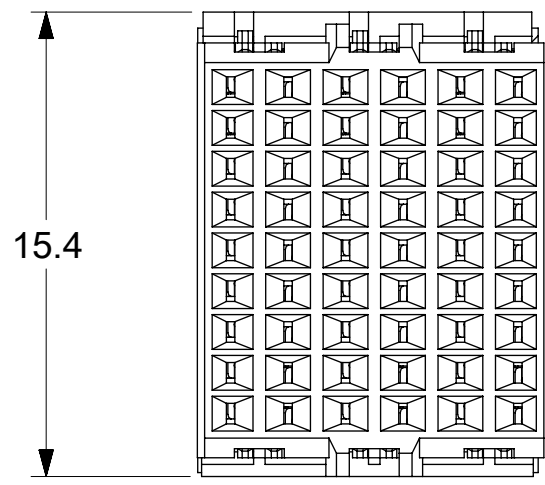


NOTES:

1. MATERIALS: HOUSING - LIQUID CRYSTAL POLYMER (LCP), GLASS-FILLED, UL94V-0
TERMINALS - HIGH PERFORMANCE COPPER ALLOY
2. FINISH: 30uIN SELECTIVE GOLD IN CONTACT AREA. SELECTIVE MATTE TIN OR SELECTIVE TIN/LEAD ON PCB TAILS. NICKEL OVERALL.
3. EACH SIGNAL WAFER CONTAINS 2 COLUMNS OF TERMINALS.
4. PRODUCT SHALL BE PACKAGED PER PK-70873-0050 (18mm), PK-70873-0051 (22mm).
5. FOR FURTHER INFORMATION SEE PRODUCT SPECIFICATION PS-76060-999.
6. THIS PART CONFORMS TO CLASS B REQUIREMENTS OF COSMETIC SPEC PS-45499-002.
7. REFER TO MOLEX SALES DRAWING SD-76165-001 AND CUSTOM PIN-OUT SERIES 76162 FOR THE MATING HEADERS.
8. REFER TO MOLEX PCB ROUTING GUIDE AS-76060-990 FOR ANTIPAD AND ROUTING RECOMMENDATIONS.
9. "THESE DIMENSIONS REPRESENT THE AREA NEEDED TO ACCOMMODATE CONNECTOR INSERTION & REPAIR ON THE PC BOARD. THIS IS REFERRED TO AS THE "CONNECTOR KEEP OUT ZONE" AND DOES NOT REPRESENT THE ACTUAL PERIMETER OF THE CONNECTOR. WHEN LAYING OUT A PC BOARD WITH CONNECTORS STACKED TOGETHER, USE A 1.90mm PROGRESSION."
10. MARKING: LOCATED APPROXIMATELY AS SHOWN. PART NUMBER AND DATE CODE.



THIS DRAWING CONTAINS INFORMATION THAT IS PROPRIETARY TO MOLEX ELECTRONIC TECHNOLOGIES, LLC AND SHOULD NOT BE USED WITHOUT WRITTEN PERMISSION												
DIMENSION UNITS		SCALE		CURRENT REV DESC: MIGRATED TO NX								
mm		NTS										
GENERAL TOLERANCES (UNLESS SPECIFIED)				EC NO: 705090 DRWN: TMARRI 2018/07/05 CHK'D: DYARAS 2022/03/07 APPR: LZENG 2022/05/13								
ANGULAR TOL ± 0.5°				INITIAL REVISION:								
4 PLACES ±				DRWN: JJONIAK 2010/01/22				DOCUMENT NUMBER		DOC TYPE	DOC PART	REVISION
3 PLACES ±				APPR: TPREMO 2011/01/17				SD-170415-001		PSD	001	B4
2 PLACES ± 0.1								MATERIAL NUMBER		CUSTOMER		SHEET NUMBER
1 PLACE ± 0.25								SEE TABLE		GENERAL MARKET		1 OF 2
0 PLACES ±												
DRAFT WHERE APPLICABLE MUST REMAIN WITHIN DIMENSIONS				THIRD ANGLE PROJECTION		DRAWING		SERIES				
						C-SIZE		170415				

DOCUMENT STATUS	P1	RELEASE DATE	2022/05/13	03:05:06
-----------------	----	--------------	------------	----------

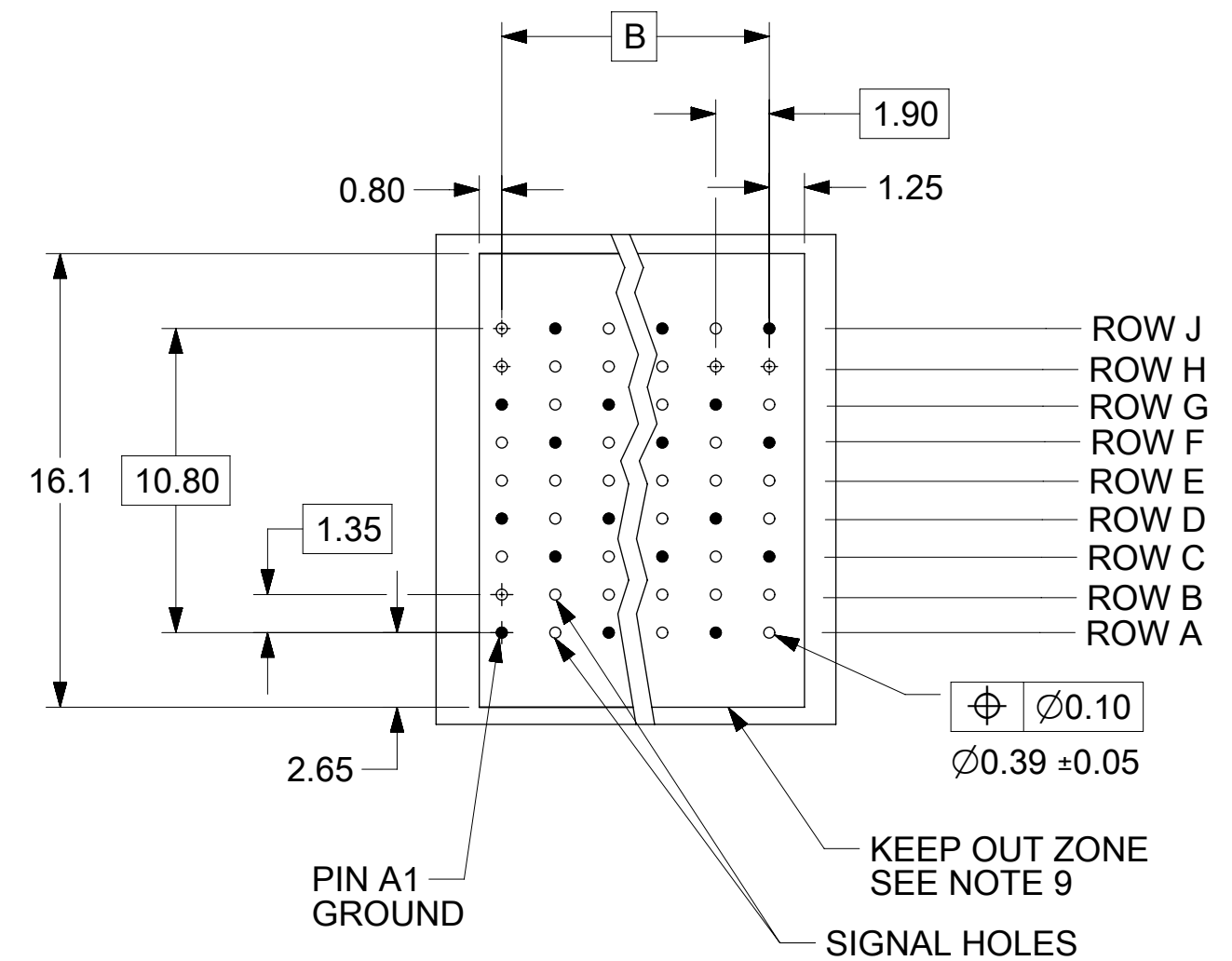
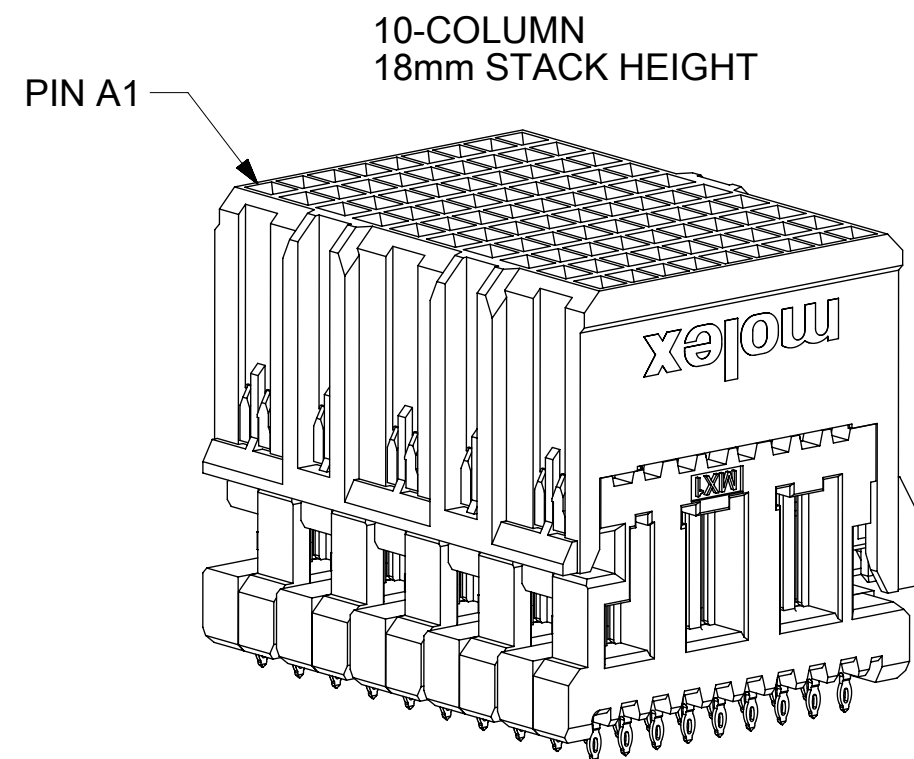
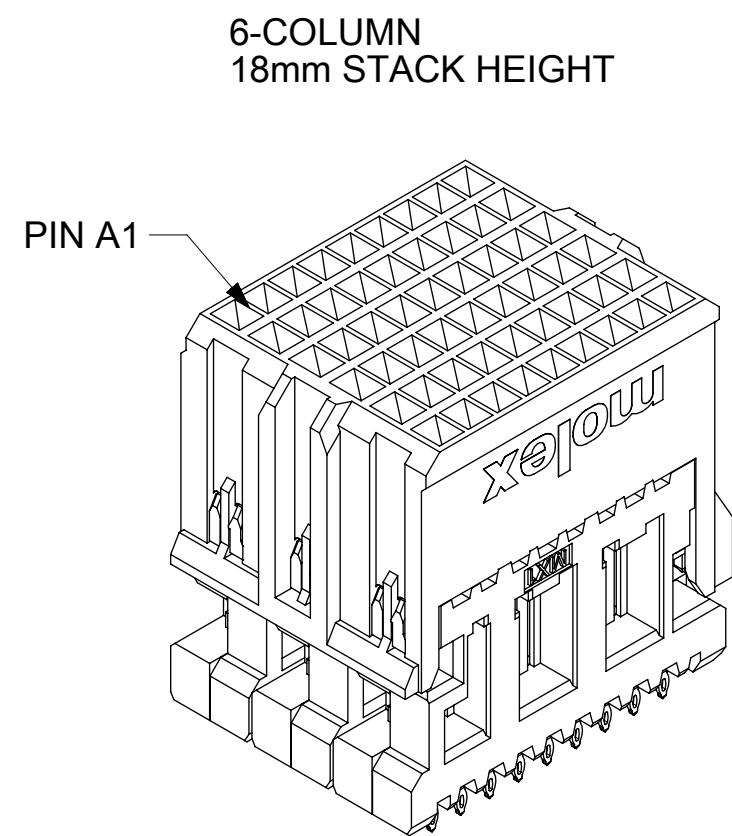
PART NUMBER	# OF COLUMNS	# OF DIFF PAIR	DIM "A"	DIM "B"	DIM "C"	STACK HEIGHT (H)
170415-1618	6	18	11.4	9.50	15.36	18.00
170415-1818	8	24	15.2	13.30	15.36	18.00
170415-1118	10	30	19.0	17.10	15.36	18.00
170415-1918	16	48	30.4	28.50	15.36	18.00
170415-1622	6	18	11.4	9.50	19.36	22.00
170415-1822	8	24	15.2	13.30	19.36	22.00
170415-1122	10	30	19.0	17.10	19.36	22.00
170415-1922	16	48	30.4	28.50	19.36	22.00

170415-1***

1 = OPEN LEAD-FREE

STACK HEIGHT
18 = 18mm
22 = 22mm

OF COLUMNS
6 = 6 COL 0.39 PTH
8 = 8 COL 0.39 PTH
1 = 10 COL 0.39 PTH
9 = 16 COL 0.39 PTH



THIS DRAWING CONTAINS INFORMATION THAT IS PROPRIETARY TO MOLEX ELECTRONIC TECHNOLOGIES, LLC AND SHOULD NOT BE USED WITHOUT WRITTEN PERMISSION															
DIMENSION UNITS		SCALE		CURRENT REV DESC: MIGRATED TO NX											
mm		NTS		<p>IMPACT 3-PAIR VERTICAL MEZZANINE UNGUIDED SALES DWG</p> <p>PRODUCT CUSTOMER DRAWING</p>											
GENERAL TOLERANCES (UNLESS SPECIFIED)															
ANGULAR TOL $\pm 0.5^\circ$															
4 PLACES		\pm										EC NO: 705090		2018/07/05	
3 PLACES		\pm										DRWN: TMARRI		2022/03/07	
2 PLACES		± 0.1										CHK'D: DYARAS		2022/05/13	
1 PLACE		± 0.25		INITIAL REVISION:				DOCUMENT NUMBER		DOC TYPE DOC PART REVISION					
0 PLACES		\pm		DRWN: JJONIAK		2010/01/22		SD-170415-001		PSD 001 B4					
DRAFT WHERE APPLICABLE MUST REMAIN WITHIN DIMENSIONS				THIRD ANGLE PROJECTION		DRAWING		SERIES		MATERIAL NUMBER CUSTOMER SHEET NUMBER					
						C-SIZE		170415		SEE TABLE GENERAL MARKET 2 OF 2					