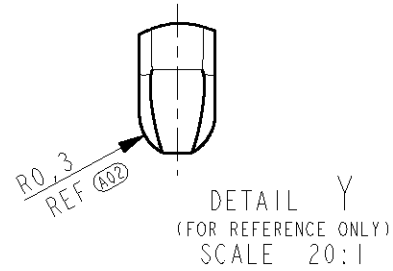


THIS DRAWING IS UNPUBLISHED. RELEASED FOR PUBLICATION
 © COPYRIGHT - BY TYCO ELECTRONICS CORPORATION. ALL RIGHTS RESERVED.

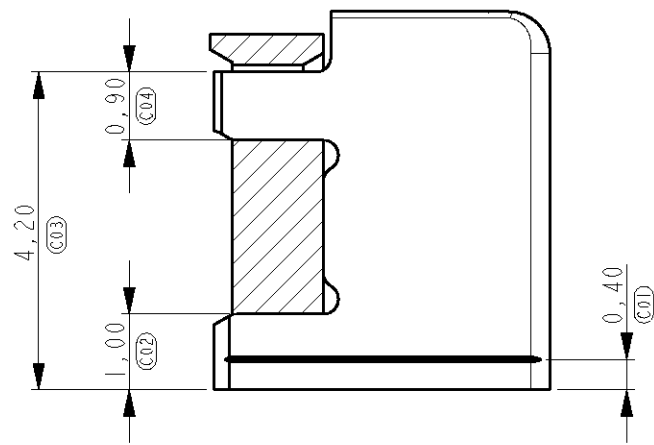
LOC	DIST	REVISIONS					
		P	LTR	DESCRIPTION	DATE	DWN	APVD
H	-		M	ECR-07-015233	21NOV2007	PW	DH
			N	ECR-08-016233	26JUN2008	PW	DH

NOTES:

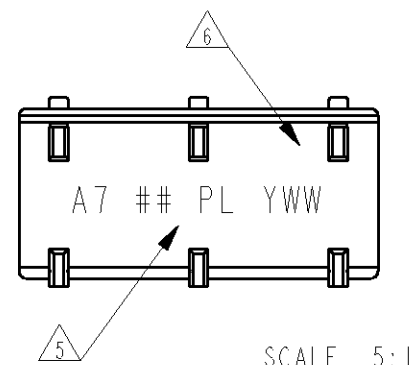
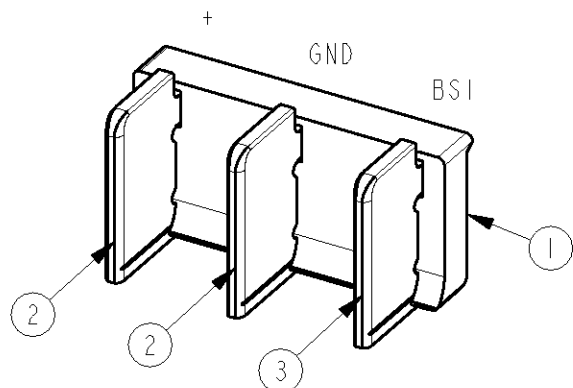
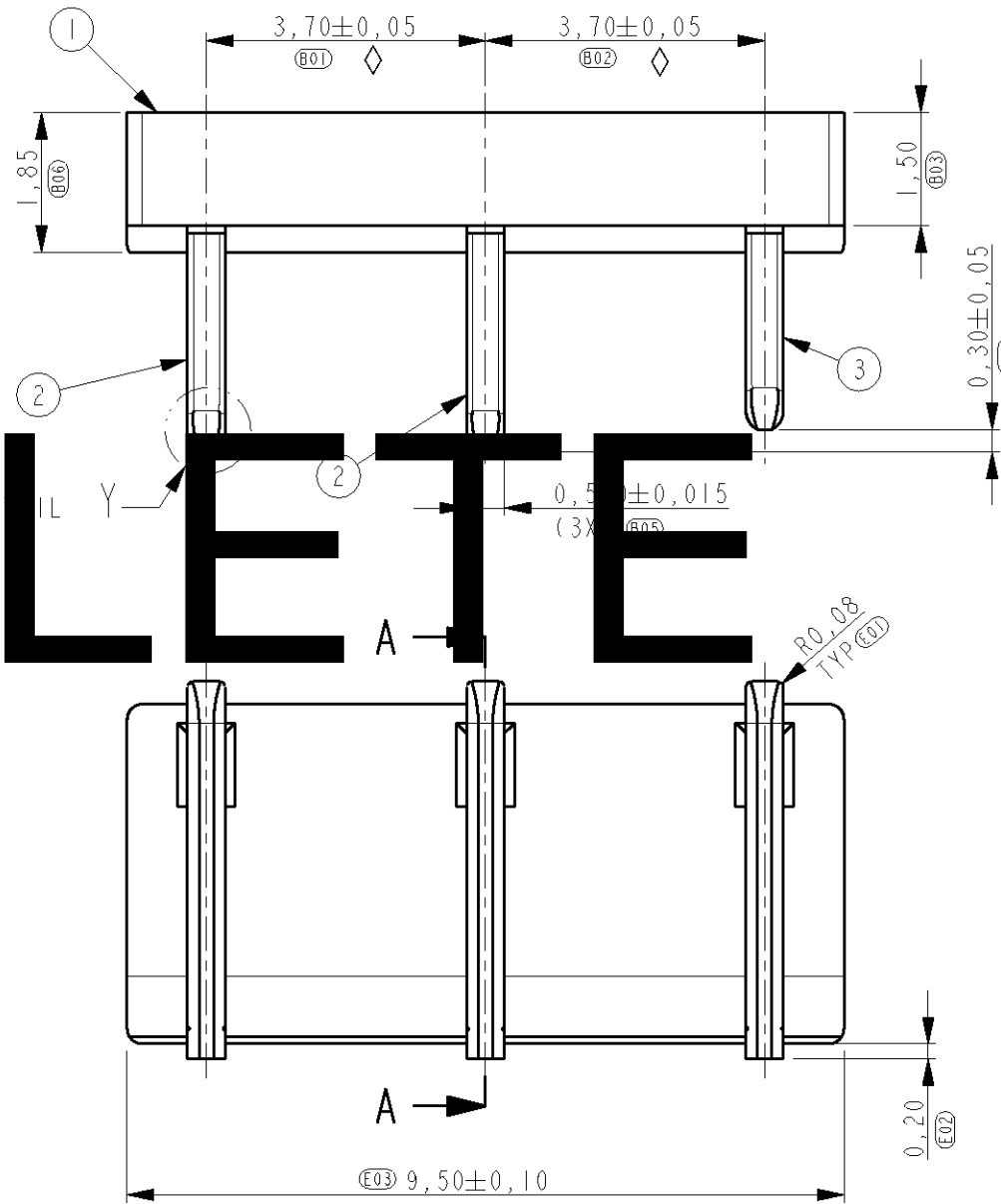
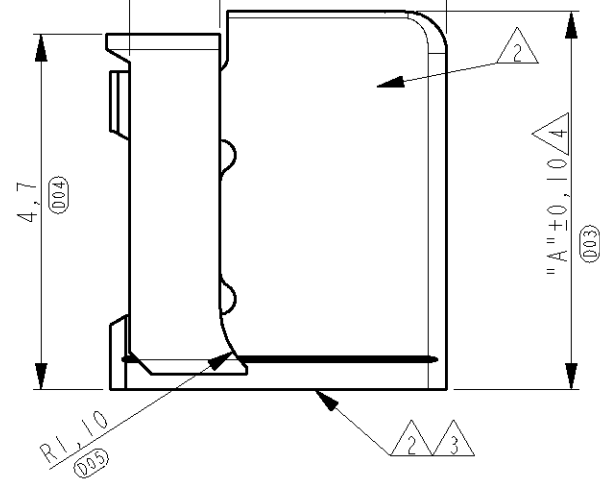
- 1 DRAWING REPRESENTS PART VERSION "A7".
- 2 PLATING:
 1,2µm MIN. NICKEL ALL OVER
 0,8µm MIN. GOLD ON CONTACT AREA
 0,1 - 0,3µm GOLD ON SOLDER AREA
- 3 COPLANARITY OF SOLDER SURFACES 0,08 MAX.
- 4 DIMENSION DEPENDS ON DISTANCE BETWEEN PWB AND BATTERY, SEE TABLE ON SHEET 3.
- 5 MARKING: VERSION (A7), PROCESS ID (##), PRODUCTION LOCATION (PL, GD = GUANGDONG, SH = SHANGHAI), PRODUCTION DATE (YWW, YEAR AND WEEK).
- 6 MARKING: CAVITY ID.



OBSOLETE



SECTION A-A

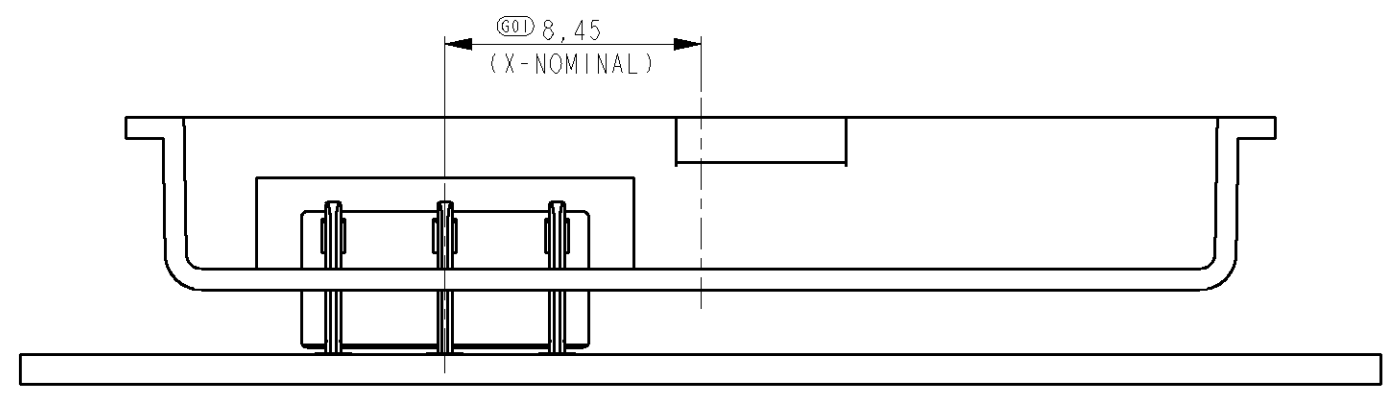
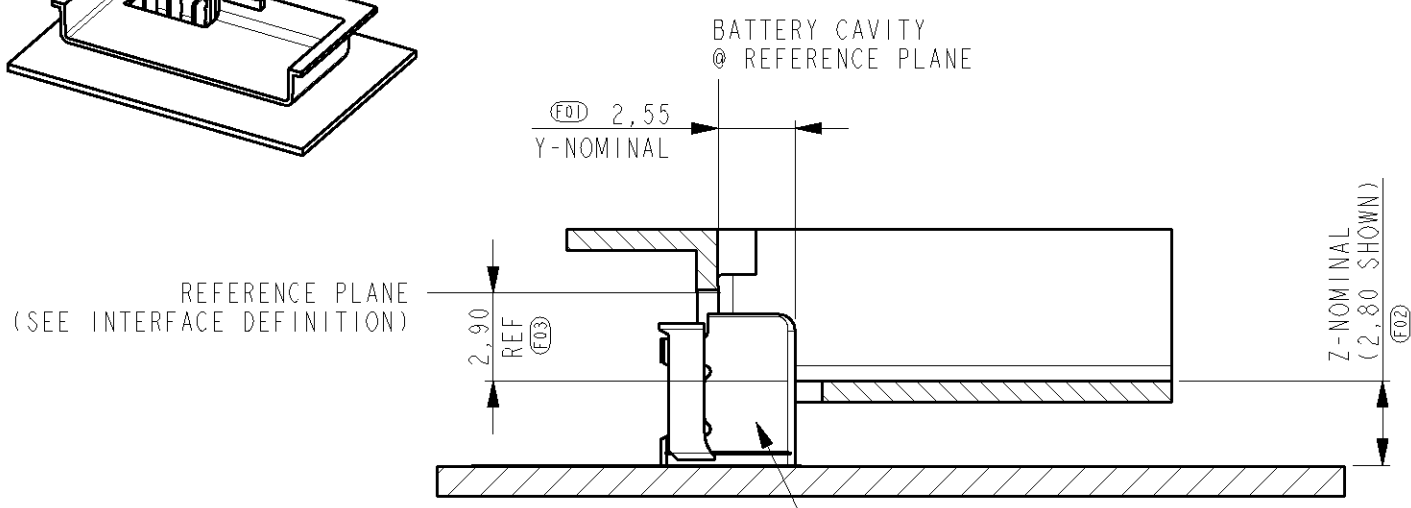
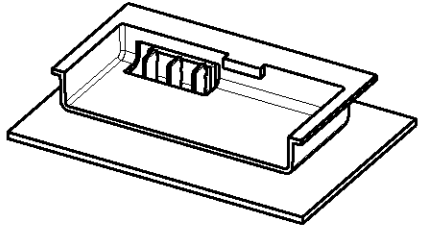


ITEM NO.	DESCRIPTION	MATERIAL	FINISH
3	CONTACT, FIRST BREAK	COPPER ALLOY	GOLD PLATED
2	CONTACT, LAST BREAK	COPPER ALLOY	GOLD PLATED
1	HOUSING	PLASTIC, GF	-

THIS DRAWING IS A CONTROLLED DOCUMENT FOR TYCO ELECTRONICS CORPORATION IT IS SUBJECT TO CHANGE AND THE CONTROLLING ENGINEERING ORGANIZATION SHOULD BE CONTACTED FOR THE LATEST REVISION.		DWN J. Tuin 13 SEP 04 CHK J. Tuin 13 SEP 04 APVD D. Halberstadt 13 SEP 04		tyco Electronics TYCO ELECTRONICS NEDERLAND B.V. 's-HERTOGENBOSCH, THE NETHERLANDS	
DIMENSIONS: mm		TOLERANCES UNLESS OTHERWISE SPECIFIED: 0 PLC ± 1 PLC ±0,2 2 PLC ±0,1 3 PLC ± 4 PLC ± ANGLES ±		NAME PLUG CONNECTOR 3 POSITION BATTERY BLOCK	
MATERIAL -		FINISH -		PRODUCT SPEC 108-19276 APPLICATION SPEC 114-19088 WEIGHT -	
CUSTOMER DRAWING		SIZE A3 CAGE CODE 00779 DRAWING NO C-1705771		RESTRICTED TO -	
SCALE 10:1		SHEET 1 OF 5		REV NI	

THIS DRAWING IS UNPUBLISHED. RELEASED FOR PUBLICATION
 © COPYRIGHT - BY TYCO ELECTRONICS CORPORATION, ALL RIGHTS RESERVED.

LOC	DIST	REVISIONS			
P	LTR	DESCRIPTION	DATE	DWN	APVD
H	-	-	-	-	-
		SEE SHEET 1			

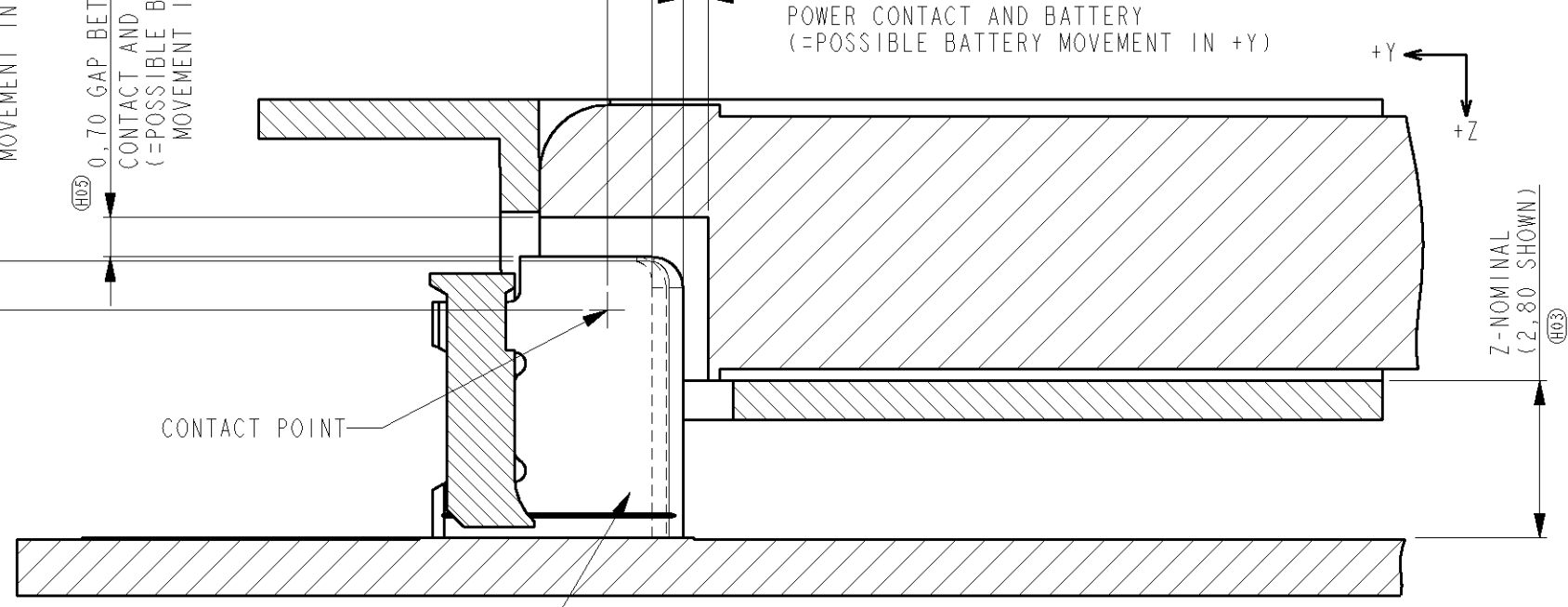


CONNECTOR POSITIONING

OBSOLETE

(H04) 0,85 DISTANCE BETWEEN CONTACT POINT AND LEAD-IN (=POSSIBLE BATTERY MOVEMENT IN -Z)

(H05) 0,70 GAP BETWEEN CONTACT AND BATTERY (=POSSIBLE BATTERY MOVEMENT IN +Z)



WORKING RANGE:
 (PERMITTED BATTERY MOVEMENT)

IN X-DIRECTION 0,50 SYMMETRICAL

IN Y-DIRECTION 1,25 TOTAL
 IN -Y-DIRECTION 0,80
 (BATTERY LENGTH TOLERANCE, PHONE CASE TOLERANCE, ASSEMBLY TOLERANCE, PHONE FLEXIBILITY)
 IN +Y-DIRECTION 0,45
 (ASSEMBLY TOLERANCE, PHONE FLEXIBILITY)

IN Z-DIRECTION 1,55 TOTAL
 IN -Z-DIRECTION 0,85
 (BATTERY FRONT TOLERANCE, PHONE CASE TOLERANCE, PHONE FLEXIBILITY)
 IN +Z-DIRECTION 0,70
 (PHONE CASE TOLERANCE, PHONE FLEXIBILITY)
 THESE VALUES APPLY IF Z-NOMINAL IS IN THE CENTER OF THE RANGE SPECIFIED FOR THE PLUG (AS SHOWN HERE).

WORKING RANGE

SCALE 8:1

2-1705771-5 SHOWN

THIS DRAWING IS A CONTROLLED DOCUMENT FOR TYCO ELECTRONICS CORPORATION IT IS SUBJECT TO CHANGE AND THE CONTROLLING ENGINEERING ORGANIZATION SHOULD BE CONTACTED FOR THE LATEST REVISION.

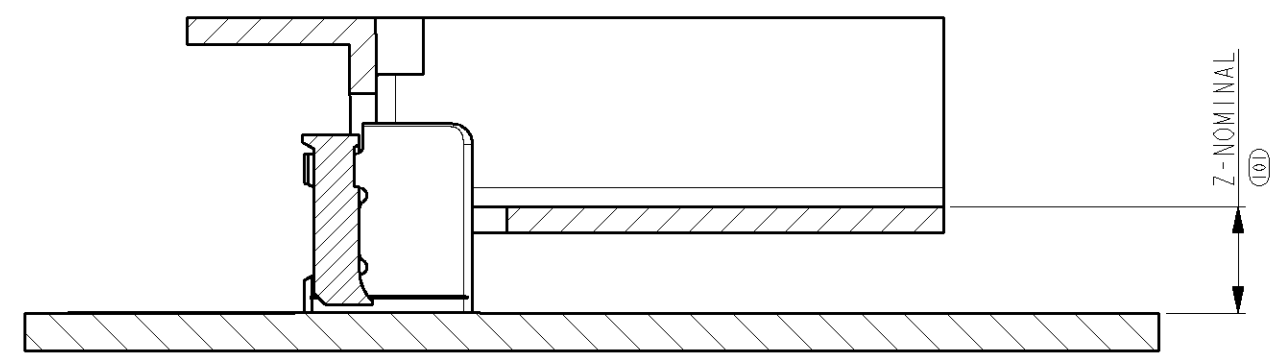
DIMENSIONS:	TOLERANCES UNLESS OTHERWISE SPECIFIED:
mm	
0 PLC	±
1 PLC	±0,2
2 PLC	±0,1
3 PLC	±
4 PLC	±
ANGLES	±
MATERIAL	FINISH

DWN	J. Tuin	13 SEP 04
CHK	J. Tuin	13 SEP 04
APVD	D. Halberstadt	13 SEP 04
PRODUCT SPEC	108-19276	
APPLICATION SPEC	114-19088	
WEIGHT	-	
CUSTOMER DRAWING		

tyco Electronics		TYCO ELECTRONICS NEDERLAND B.V. 's-HERTOGENBOSCH, THE NETHERLANDS	
NAME PLUG CONNECTOR 3 POSITION BATTERY BLOCK			
SIZE	CAGE CODE	DRAWING NO	RESTRICTED TO
A3	00779	C-1705771	-
SCALE 10:1		SHEET 2 OF 5	REV NI

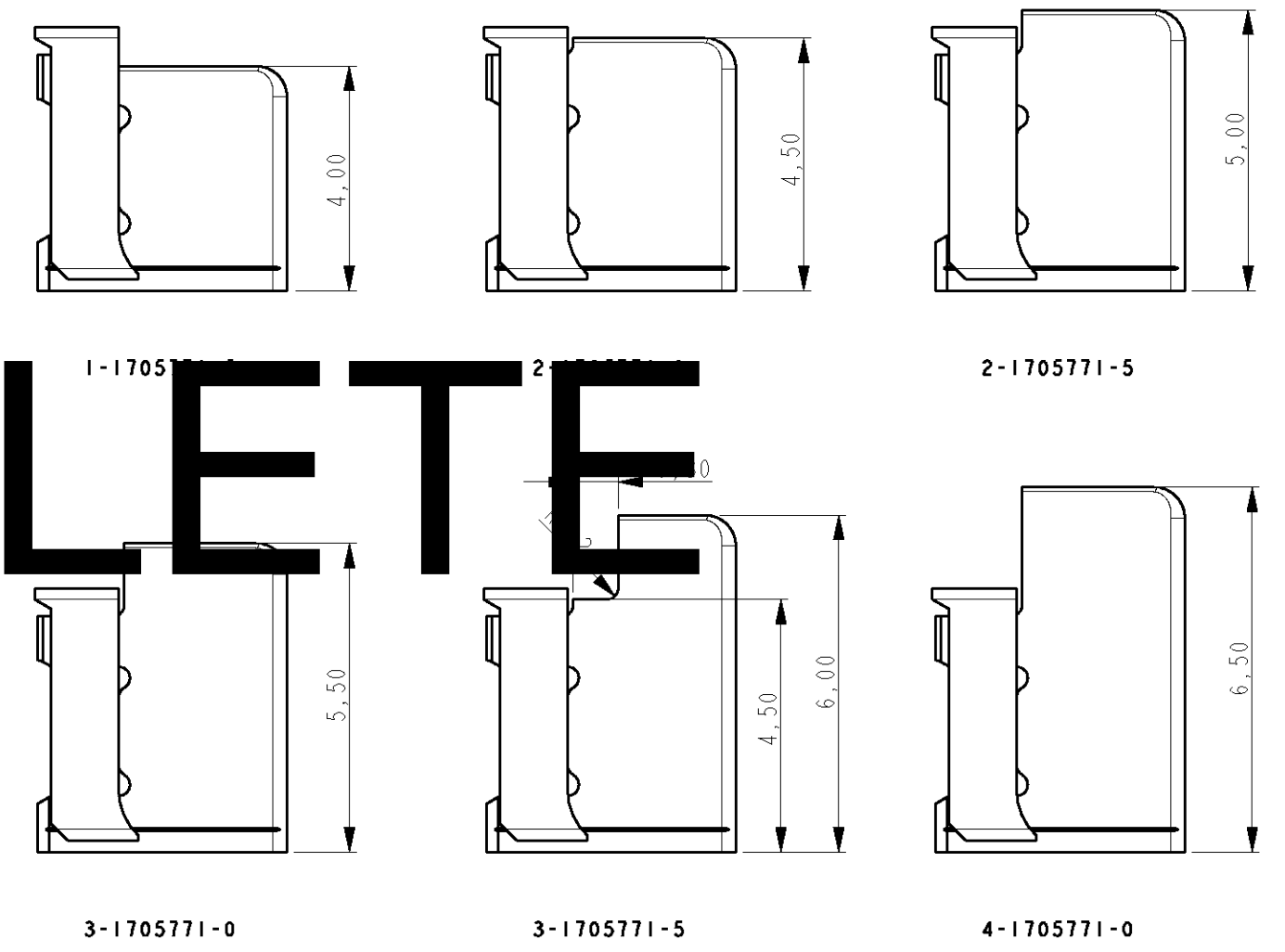
THIS DRAWING IS UNPUBLISHED. RELEASED FOR PUBLICATION
 © COPYRIGHT - BY TYCO ELECTRONICS CORPORATION. ALL RIGHTS RESERVED.

LOC	DIST	REVISIONS			
P	LTR	DESCRIPTION	DATE	DWN	APVD
H	-	SEE SHEET 1	-	-	-



NMP CODE	PART NUMBER	Z-NOMINAL RANGE	DIMENSION "A"	MASS [mg]
△	(0-1857071-1)	=>0 (0,0 - 0,0)	(2,70)	
△	(0-1857071-5)	>0,5 (0,6 - 0,0)	(3,00)	
△	(1-1857071-0)	>1,0 (1,1 - 1,5)	(3,50)	
5469643	1-1705771-5	>1,5 (1,6 - 2,0)	4,00	266
5469521	2-1705771-0	>2,0 (2,1 - 2,5)	4,50	282
5469471	2-1705771-5	>2,5 (2,6 - 3,0)	5,00	
5469645	3-1705771-0	>3,0 (3,1 - 3,5)	5,50	320
5469647	3-1705771-5	>3,5 (3,6 - 4,0)	6,00	322
5469649	4-1705771-0	>4,0 (4,1 - 4,5)	6,50	355

OBSOLETE



PRODUCT SELECTION

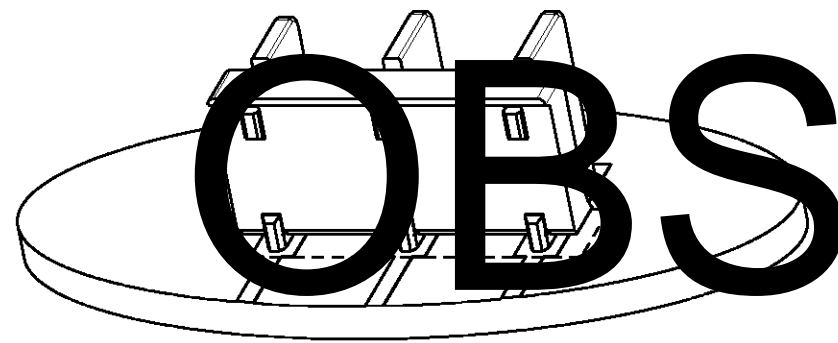
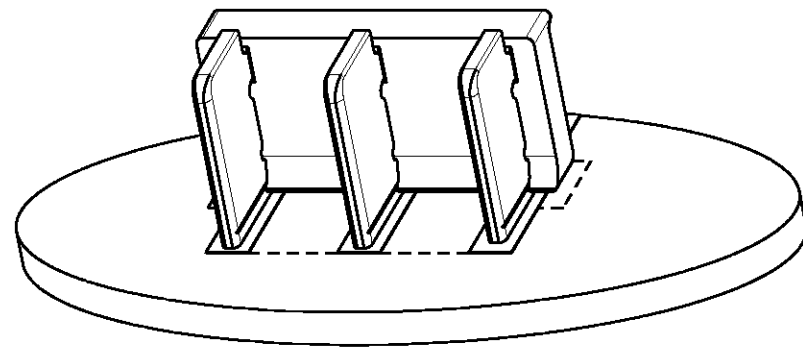
NOTES:

△ FOR DETAILS SEE DRAWING 1857071.

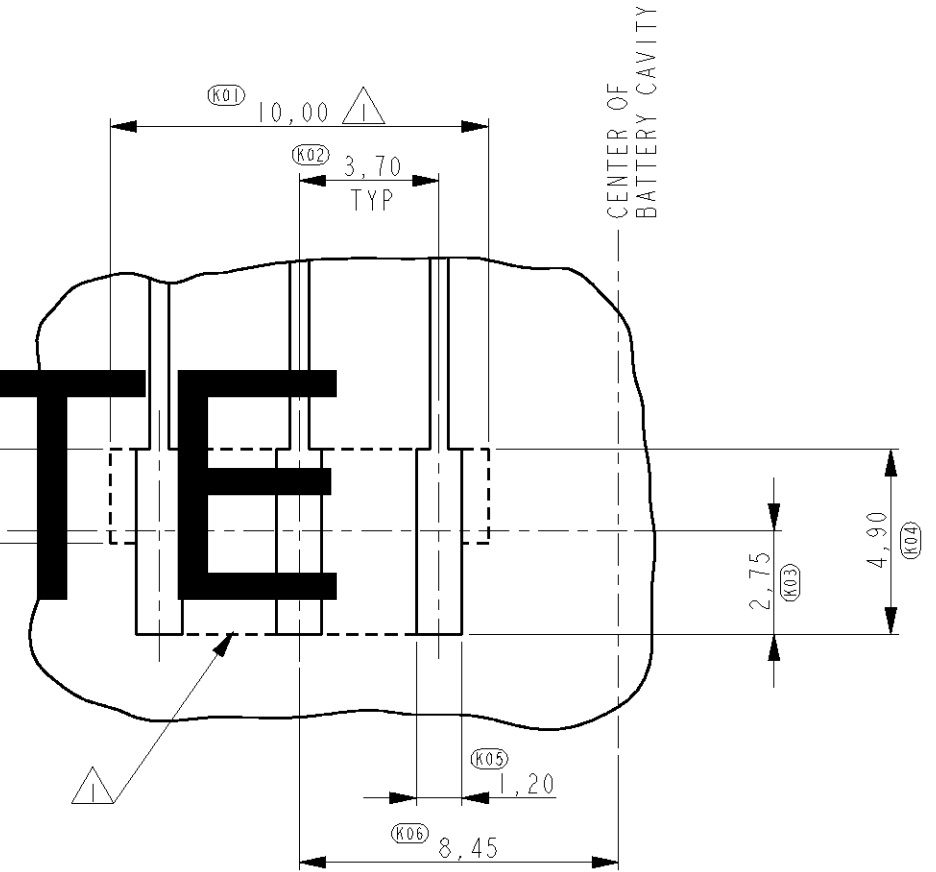
<small>THIS DRAWING IS A CONTROLLED DOCUMENT FOR TYCO ELECTRONICS CORPORATION. IT IS SUBJECT TO CHANGE AND THE CONTROLLING ENGINEERING ORGANIZATION SHOULD BE CONTACTED FOR THE LATEST REVISION.</small>		DWN J. Tuin 13 SEP 04 CHK J. Tuin 13 SEP 04 APVD D. Halberstadt 13 SEP 04		tyco Electronics		TYCO ELECTRONICS NEDERLAND B.V. 's-HERTOGENBOSCH, THE NETHERLANDS	
DIMENSIONS: mm		TOLERANCES UNLESS OTHERWISE SPECIFIED: 0 PLC ±- 1 PLC ±0,2 2 PLC ±0,1 3 PLC ±- 4 PLC ±- ANGLES ±-		PRODUCT SPEC 108-19276		NAME PLUG CONNECTOR 3 POSITION BATTERY BLOCK	
MATERIAL -		FINISH -		APPLICATION SPEC 114-19088		SIZE A3 CAGE CODE 00779 DRAWING NO C-1705771 RESTRICTED TO -	
CUSTOMER DRAWING				SCALE 10:1		SHEET 3 OF 5 REV NI	

THIS DRAWING IS UNPUBLISHED. RELEASED FOR PUBLICATION
 © COPYRIGHT - BY TYCO ELECTRONICS CORPORATION. ALL RIGHTS RESERVED.

LOC	DIST	REVISIONS				
P	LTR	DESCRIPTION	DATE	DWN	APVD	
		SEE SHEET 1				



BATTERY CAVITY
REFERENCE PLANE
(SEE SHEET 2)



NOTES:

△ AREA FREE OF SOLDER SCREEN.

<small>THIS DRAWING IS A CONTROLLED DOCUMENT FOR TYCO ELECTRONICS CORPORATION IT IS SUBJECT TO CHANGE AND THE CONTROLLING ENGINEERING ORGANIZATION SHOULD BE CONTACTED FOR THE LATEST REVISION.</small>		DWN J. Tuin 13 SEP 04 CHK J. Tuin 13 SEP 04 APVD D. Halberstadt 13 SEP 04	tyco TYCO ELECTRONICS NEDERLAND B.V. Electronics 's-HERTOGENBOSCH, THE NETHERLANDS	
DIMENSIONS: mm	TOLERANCES UNLESS OTHERWISE SPECIFIED: 0 PLC ±- 1 PLC ±0,2 2 PLC ±0,1 3 PLC ±- 4 PLC ±- ANGLES ±-	PRODUCT SPEC 108-19276 APPLICATION SPEC 114-19088 WEIGHT -	NAME PLUG CONNECTOR 3 POSITION BATTERY BLOCK	
MATERIAL - FINISH -		SIZE A3 CAGE CODE 00779 DRAWING NO C-1705771	RESTRICTED TO -	
CUSTOMER DRAWING		SCALE 10:1	SHEET 4 OF 5	REV NI

4

3

2

1

THIS DRAWING IS UNPUBLISHED.

RELEASED FOR PUBLICATION

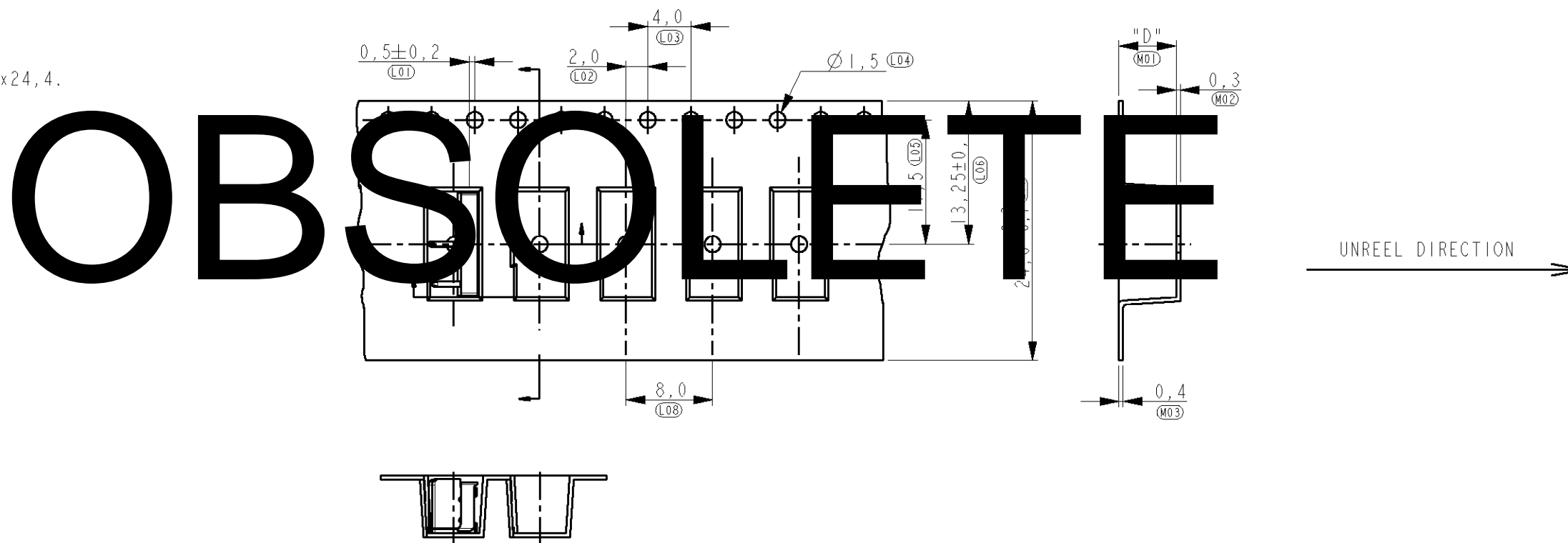
© COPYRIGHT - BY TYCO ELECTRONICS CORPORATION. ALL RIGHTS RESERVED.

LOC	DIST	REVISIONS			
P	LTR	DESCRIPTION	DATE	DWN	APVD
H	-	SEE SHEET 1	-	-	-

PART NUMBER	QUANTITY PER REEL	DIMENSION "D"±0,2
1-1705771-5	1300	5,3
2-1705771-0	1300	5,3
2-1705771-5	1300	5,3
3-1705771-0	1000	7,1
3-1705771-5	1000	7,1
4-1705771-0	1000	7,1

NOTES:

1 REEL DIMENSION: 330x101x24,4.



<small>THIS DRAWING IS A CONTROLLED DOCUMENT FOR TYCO ELECTRONICS CORPORATION IT IS SUBJECT TO CHANGE AND THE CONTROLLING ENGINEERING ORGANIZATION SHOULD BE CONTACTED FOR THE LATEST REVISION.</small>		DWN J. Tuin 13 SEP 04 CHK J. Tuin 13 SEP 04 APVD D. Halberstadt 13 SEP 04				TYCO ELECTRONICS NEDERLAND B.V. 's-HERTOGENBOSCH, THE NETHERLANDS	
DIMENSIONS: mm		TOLERANCES UNLESS OTHERWISE SPECIFIED: 0 PLC ±- 1 PLC ±0,2 2 PLC ±0,1 3 PLC ±- 4 PLC ±- ANGLES ±-		PRODUCT SPEC 108-19276 APPLICATION SPEC 114-19088 WEIGHT -		NAME PLUG CONNECTOR 3 POSITION BATTERY BLOCK	
MATERIAL - FINISH -		CUSTOMER DRAWING		SIZE A3	CAGE CODE 00779	DRAWING NO C-1705771	RESTRICTED TO -
				SCALE 10:1	SHEET 5 OF 5	REV NI	