

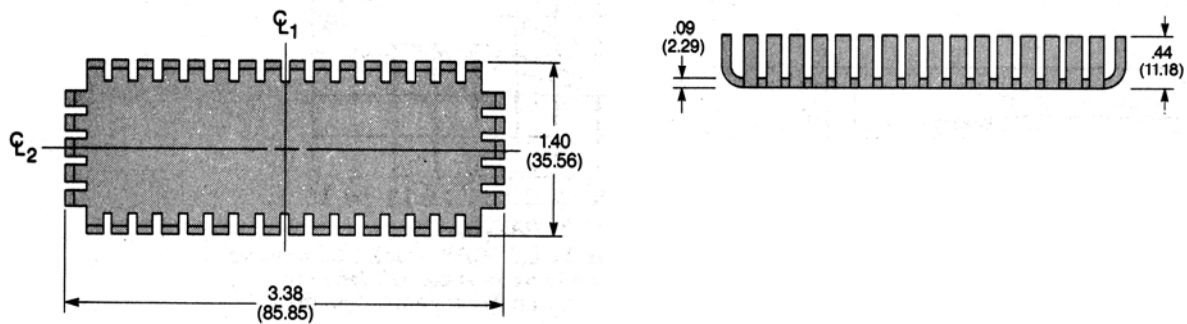
### METAL CASE, CASE-MOUNTED SEMICONDUCTORS

UP10 Series for TO-3 Dual Mount Applications

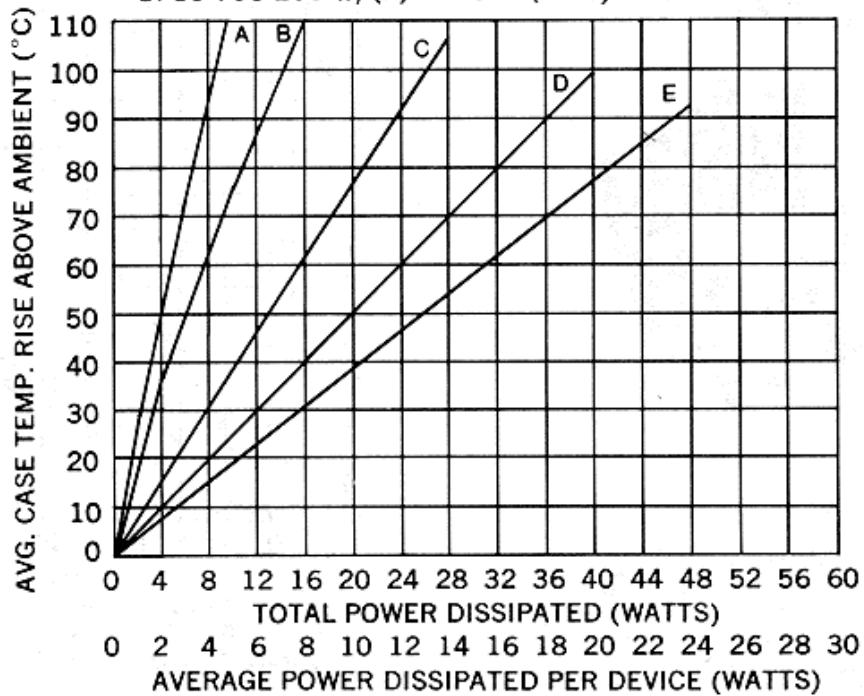
Natural Conv. ( $^{\circ}\text{C}/\text{W}$ ): 7.7

Forced Air ( $^{\circ}\text{C}/\text{W}$ ): 2

Mounting Envelope: 3.38" x 1.40" x .44"



UP10-TO3-2CB w/(2) 2N3055 (TO-3) TRANSISTORS



#### DESCRIPTION OF CURVES

- A. N.C. Horiz. Device Only Mounted to G-10.
- B. N.C Horiz. & Vert. With Dissipator.
- C. 200 FPM w/Diss.
- D. 500 FPM w/Diss.
- E. 1000 FPM w/Diss.

- Thermal Resistance Case to Sink is 0.1-0.3  $^{\circ}\text{C}/\text{W}$  w/Joint Compound.
- Derate 0.8  $^{\circ}\text{C}/\text{watt}$  per device for unplated part in natural convection only.

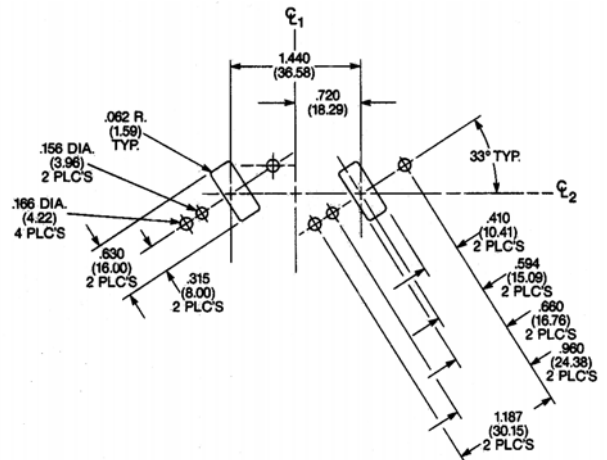
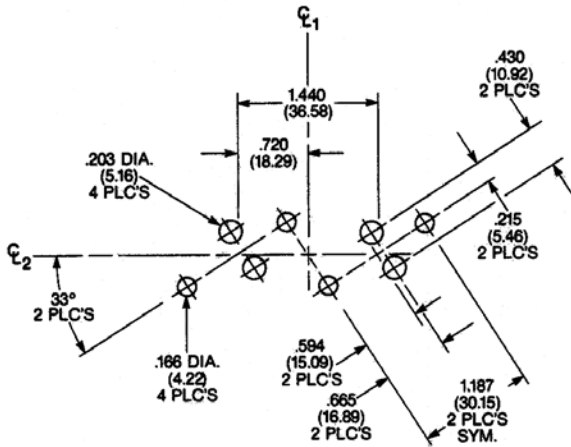
## Ordering Information

CTS IERC PART NO.			Semiconductor Accommodated	Hole patt. ref. no.	Max. Weight (Grams)
Unplated	Comm'l. Black Anodize	Mil. Black Anodize			
UP10-TO3-2U	UP10-TO-3-2CB	UP10-TO3-2B	Two TO-3s	29	24.0
UP10-426-2U	UP10-426-2CB	UP10-426-2B	Universal	30	24.0
UP10-428-2U	UP10-428-2CB	UP10-428-2B	Two TO-3 (4-pin)	36	24.0

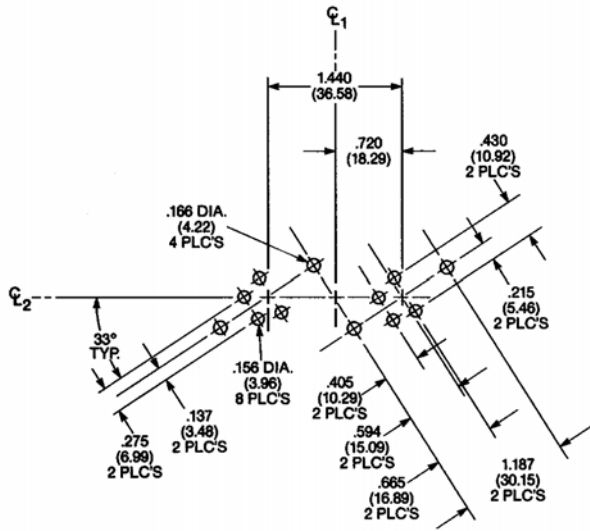
### HOLE PATTERNS

29. Hole pattern no. 222 accommodates TO-3s. Available in UP10 series heat dissipators only.

30. Hole pattern no. 426 (Universal) accommodates two TO-3s, TO-66s, TO-126s, or TO-220s. Available in UP10 series heat dissipators only.



36. Hole pattern no. 428 accommodates two TO-3s (4-pin). Available in UP10 series heat dissipators only.



**CTS IERC, Heat Sinks and Thermal Management Solutions**

413 North Moss Street, Burbank, California 91502 Tel: (818) 842-7277 Fax: (818) 848-8872

Rev. 08-29-03