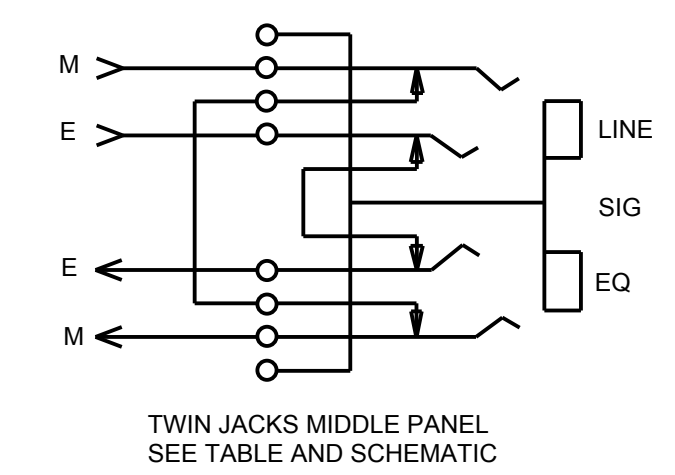
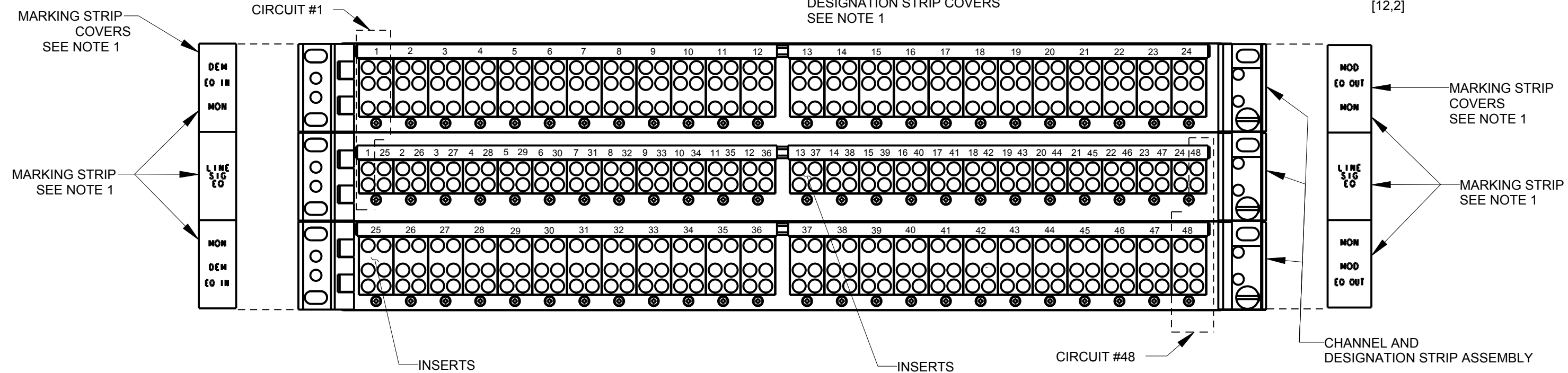
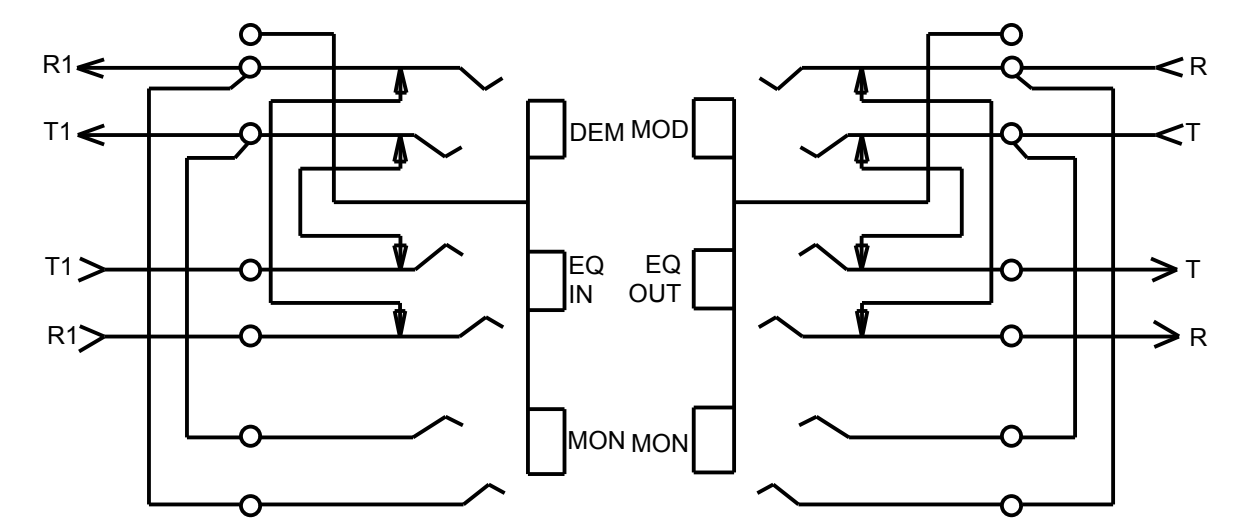
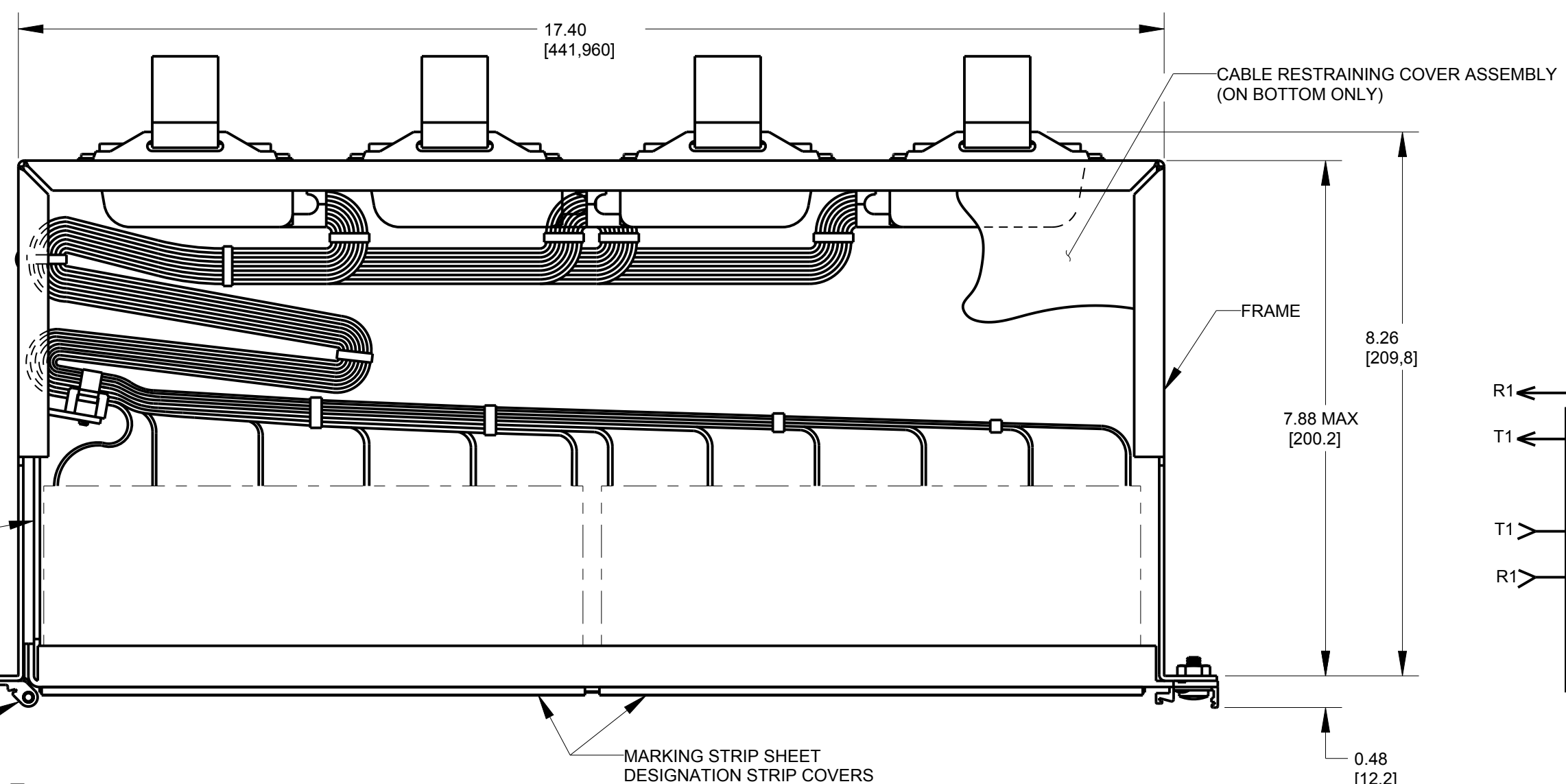


CONNECTION TABLE

| TO PLUG CONNECTOR | | PIN | | TO RECEPTACLE CONNECTOR | | PIN | |
|-------------------|--------|-----|----|-------------------------|----------|-----|----|
| CIRCUIT 1 | DEM | TI | 26 | CIRCUIT 1 | MOD | T | 26 |
| | | RI | 1 | | | R | 1 |
| REPEATED | | | | REPEATED | | | |
| CIRCUIT 24 | DEM | TI | 49 | CIRCUIT 24 | MOD | T | 49 |
| | | RI | 24 | | | R | 24 |
| CIRCUIT 25 | DEM | TI | 26 | CIRCUIT 25 | MOD | T | 26 |
| | | RI | 1 | | | R | 1 |
| REPEATED | | | | REPEATED | | | |
| CIRCUIT 48 | DEM | TI | 49 | CIRCUIT 48 | MOD | T | 49 |
| | | RI | 24 | | | R | 24 |
| CIRCUIT 1 | EQ OUT | T | 26 | CIRCUIT 1 | EQ IN | TI | 26 |
| | | R | 1 | | | RI | 1 |
| REPEATED | | | | REPEATED | | | |
| CIRCUIT 24 | EQ OUT | T | 49 | CIRCUIT 24 | EQ IN | TI | 49 |
| | | R | 24 | | | RI | 24 |
| CIRCUIT 25 | EQ OUT | T | 26 | CIRCUIT 25 | EQ IN | T1 | 26 |
| | | R | 1 | | | R1 | 1 |
| REPEATED | | | | REPEATED | | | |
| CIRCUIT 48 | EQ OUT | T | 49 | CIRCUIT 48 | EQ IN | TI | 49 |
| | | R | 24 | | | RI | 24 |
| CIRCUIT 1 | SIG EQ | E | 26 | CIRCUIT 1 | SIG LINE | E | 26 |
| | | M | 1 | | | M | 1 |
| REPEATED | | | | REPEATED | | | |
| CIRCUIT 24 | SIG EQ | E | 49 | CIRCUIT 24 | SIG LINE | E | 49 |
| | | M | 24 | | | M | 24 |
| CIRCUIT 25 | SIG EQ | E | 26 | CIRCUIT 25 | SIG LINE | E | 26 |
| | | M | 1 | | | M | 1 |
| REPEATED | | | | REPEATED | | | |
| CIRCUIT 48 | SIG EQ | E | 49 | CIRCUIT 48 | SIG LINE | E | 49 |
| | | M | 24 | | | M | 24 |



SCHEMATIC TYPICAL OF 48 CIRCUITS CUSTOMER DRAWING

NOTES:
1. MARKING STRIPS AND COVERS SHIPPED UNASSEMBLED.

| | | | | | | | |
|---|-------|----------|--------|--|-------------------|--------------|-----------|
| ★ STAR SYMBOL DENOTES CRITICAL DIMENSION | | | | THIS DRAWING DESCRIBES A DESIGN CONSIDERED PROPRIETARY IN NATURE, DEVELOPED AND MANUFACTURED BY SWITCHCRAFT INC. AND IS RELEASED ON A CONFIDENTIAL BASIS FOR IDENTIFICATION PURPOSES ONLY. | | | |
| UNLESS OTHERWISE SPECIFIED | | | | SIZE | WIDTH | MULT | LBS/M |
| 1. ALL DIMENSIONS IN INCHES -TWO PLACE DECIMALS ±0.01 -THREE PLACE DECIMALS ±0.005 -ANGLES ±1° -ALL DIA. CONCENTRIC WITHIN 0.005 T.I.R. | | | | FINISH | MATERIAL SPEC No. | | |
| 2. FEATURES ON THE SAME CENTERLINE MUST BE ALIGNED WITHIN ±0.002 | | | | FIRST USED ON | SCALE 1:2 | | |
| 3. REMOVE ALL BURRS | | | | DATE DRAWN | BY | CHKD | APVD |
| DO NOT SCALE DRAWING | | | | 2-26-76 | KB | EN 3-29-76 | JF 9-5-01 |
| REVISIONS | | | | NAME | | PART No. | |
| F | 27999 | 02-08-18 | PC TJK | 6 WIRE CONNECTORIZED JACKFIELD | | TT6W48MCF1 | |
| E | 23554 | 11-19-12 | TO TJK | | | SHEET 1 OF 1 | |
| | | | | Pro/Engineer CAD File | | REV F | |