

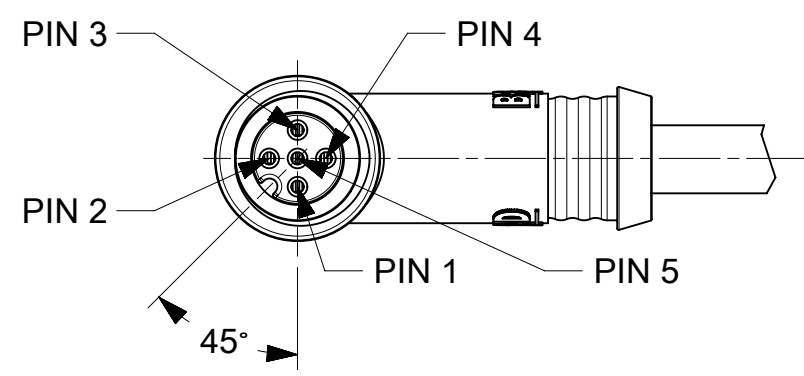
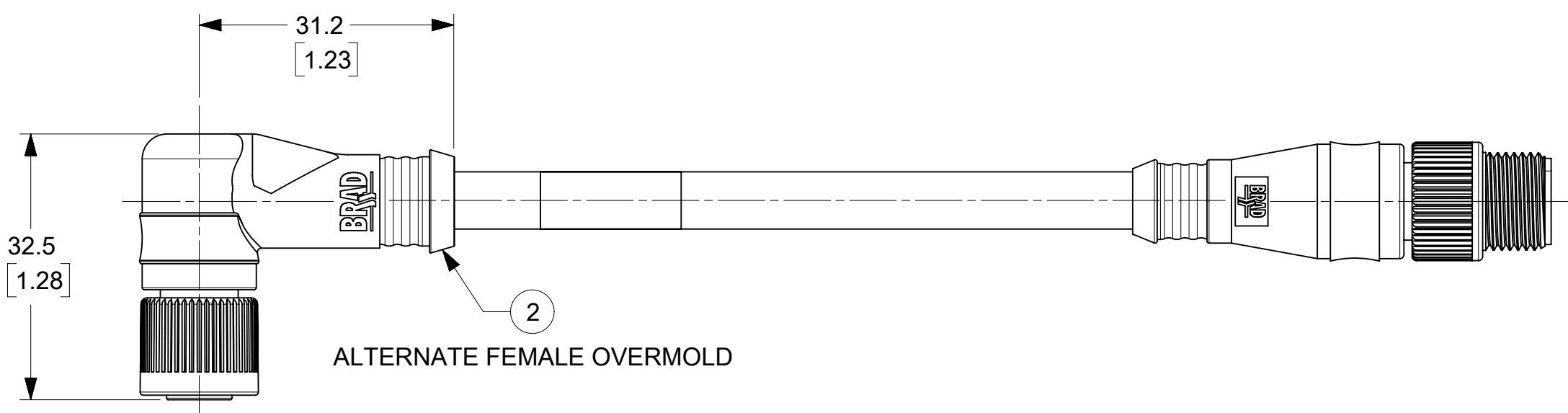
# DND32A-M006

**LENGTH**  
 M001 = .1 METERS  
 M010 = 1.0 METERS  
 M100 = 10 METERS

CABLE LENGTH TOLERANCES	
<.3M [1FT]:	+19mm-0 [+ .75in-0]
.3 - .9M [1 - 3FT]:	+44.5mm-0 [+1.75in-0]
.9 - 1.8M [3 - 6FT]:	+55.6mm-0 [+2.19in-0]
1.8 - 3.7M [6 - 12FT]:	+88.9mm-0 [+3.50in-0]
3.7 - 7.3M [12 - 24FT]:	+165.1mm-0 [+6.50in-0]
7.3-14.6M [24 - 48FT]:	+317.5mm-0 [+12.50in-0]
14.6 - 30.5M [48-100FT]:	+622.3mm-0 [+24.50in-0]
OVER 30M [100FT]	+2% OF FINISHED LENGTH

## PART NUMBER LEGEND

FINISHED LENGTH		
MOLEX PN	ENGINEERING NO	LENGTH M [FT]
1300280003	DND32A-M006	0.6 [1.97]
1300280080	DND32A-M002	0.2 [.66]
1300280081	DND32A-M003	0.3 [.98]
1300280082	DND32A-M004	0.4 [1.31]
1300280083	DND32A-M005	0.5 [1.64]
1300280084	DND32A-M007	0.7 [2.30]
1300280085	DND32A-M010	1.0 [3.28]
1300280086	DND32A-M015	1.5 [4.92]
1300280088	DND32A-M025	2.5 [8.20]
1300280089	DND32A-M030	3.0 [9.84]
1300280091	DND32A-M050	5.0 [16.4]



ITEM	DESCRIPTION	MATERIAL	FINISH/COLOR
10	WRAP LABEL	VINYL	BLACK/YELLOW
9	O-RING	FPM (VITON)	RED
8	COUPLING NUT FEMALE M12	E-COAT	BLACK
7	CONTACT FEMALE	Cu ALLOY	GOLD PLATED
6	INSERT M12 5P FEMALE	NYLON	BLACK
5	COUPLING NUT MALE M12	E-COAT	BLACK
4	CONTACT PIN	Cu ALLOY	GOLD PLATED
3	INSERT M12 5P MALE AC KEY	NYLON	BLACK
2	OVERMOLDS	TPC	GRAY
1	DEV-NET DROP CABLE 4x0.34mm <sup>2</sup> (22AWG)	PVC JACKET	GRAY

- NOTES:**
1. MATERIAL: AS NOTED
  2. FINISH: AS NOTED
  3. ELECTRICAL:  
VOLTAGE; 250V AC/DC  
CURRENT: 4A
  4. TEMP RATING: -20°TO +80°C
  5. PROTECTION: IP67 (WHEN MATED)
  6. COUPLING THREAD: M12 X 1.0
  7. UL LISTED FILE: E152210  
CANADIAN LISTED FILE: LR6837
  8. ALL DIMS ARE FOR REFERENCE UNLESS TOLERANCED OR NOTED OTHERWISE

<b>FUNCTIONAL SYMBOLS</b> $\frac{F}{A} = 0$ $\frac{F}{C} = 0$ $\frac{F}{P} = 0$ <b>DIVISIONAL SYMBOLS</b>	THIS DRAWING CONTAINS INFORMATION THAT IS PROPRIETARY TO MOLEX ELECTRONIC TECHNOLOGIES, LLC AND SHOULD NOT BE USED WITHOUT WRITTEN PERMISSION		CURRENT REV DESC: REMOVED LEADING PIN NOTE	
	DIMENSION UNITS: <b>MM/INCH</b> SCALE: <b>1.5:1</b>		GENERAL TOLERANCES (UNLESS SPECIFIED) 4 PLACES: ± MM ± INCH 3 PLACES: ± ± 2 PLACES: ± ± 1 PLACE: ± ± 0 PLACES: ± ± ANGULAR TOL: ± °	
	EC NO: 700917 DRWN: RSTONE CHK'D: MZIELINSKI APPR: BWOODMAN		2022/03/25 2022/03/25 2022/03/29	
	DRAFT WHERE APPLICABLE MUST REMAIN WITHIN DIMENSIONS		THIRD ANGLE PROJECTION DRAWING: <b>C-SIZE</b> SERIES: <b>130028</b>	
<b>molex</b> MICRO-CHANGE EXT CORD DEV-NET DROP MALE90/FEMALE STR, 22AWG		PRODUCT CUSTOMER DRAWING DOCUMENT NUMBER: <b>1300280080</b> DOC TYPE: PSD DOC PART: 000 REVISION: <b>B2</b>		
MATERIAL NUMBER: SEE P/N CHART CUSTOMER: GENERAL MARKET SHEET NUMBER: 1 OF 1		INITIAL REVISION: DRWN: MKOWALCZYK01 APPR: MIWASIECZKO 2018/10/09 2018/10/12		

6

5

4

3

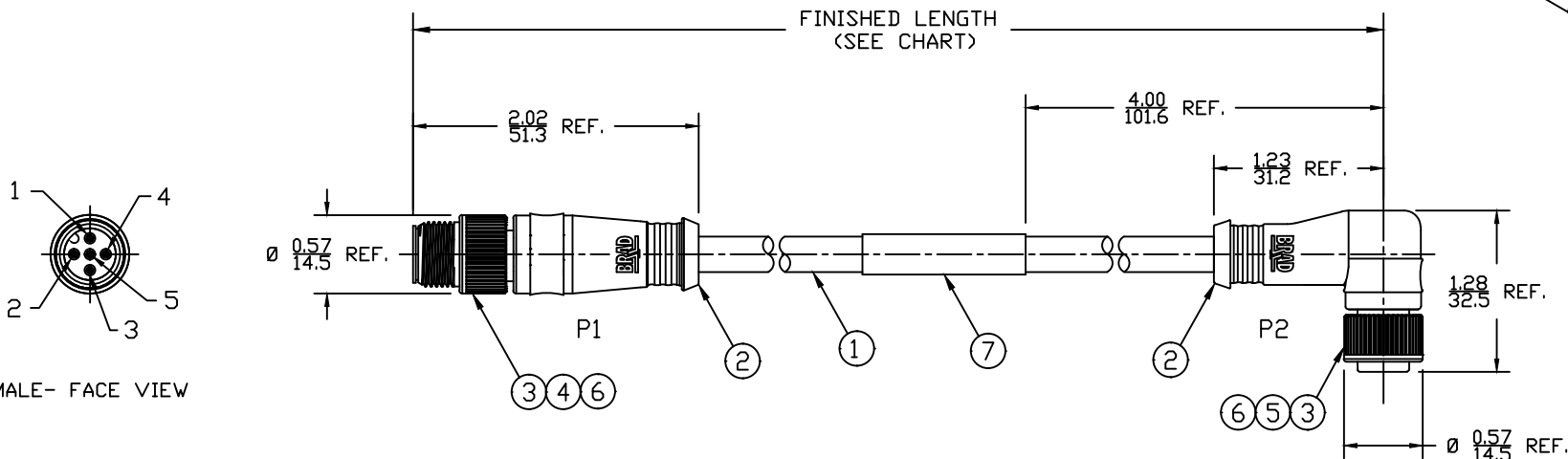
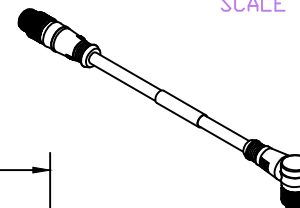
2

1

PART NUMBER	ENGINEERING NO.	LENGTH ± TOLERANCE
1300280083	DND32A-M005	1' 8" +1.75"/-0" [ 0.5M +44.5/-0 mm ]
1300280084	DND32A-M007	2' 4" +1.75"/-0" [ 0.7M +44.5/-0 mm ]
1300280085	DND32A-M010	3' 3" +2.19"/-0" [ 1M +55.6/-0 mm ]
1300280089	DND32A-M030	9' 10" +3.50"/-0" [ 3M +88.9/-0 mm ]
1300280091	DND32A-M050	16' 5" +6.50"/-0" [ 5M +165.1/-0 mm ]

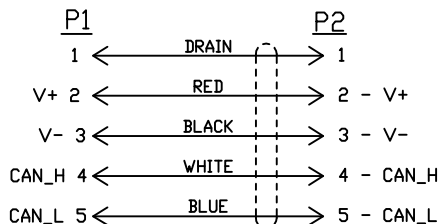
(B1)

AUX VIEW  
SCALE 1:4

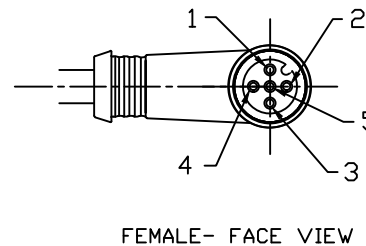
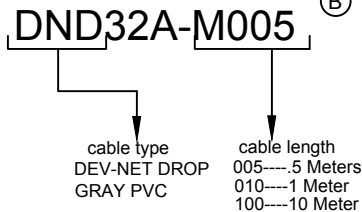


NOTES:

- MATERIAL: SEE TABLE
- FINISHES: SEE TABLE
- ELECTRICAL DATA:  
MAX. VOLTAGE: 250V AC/DC  
MAX. CURRENT 4A
- ENVIRONMENTAL:  
PROTECTION IP67 (WHEN MATED)  
TEMPERATURE RANGE: -20°C TO 80°C
- WRAP LABEL IS MARKED WITH P/N, DATE CODE,  
VOLTAGE & AMPERAGE.
- DIMS SHOWN ARE FOR REFERENCE  
UNLESS NOTED OTHERWISE



SCHEMATIC



FEMALE-FACE VIEW

TABLE

ITEM	DESCRIPTION	MATERIAL	FINISH
7	LABEL	VINYL	BLACK/YELLOW
6	INSERT	NYLON	BLACK
5	SOCKET CONTACT	COPPER ALLOY	GOLD PLATED
4	PIN CONTACT	COPPER ALLOY	GOLD PLATED
3	M12 COUPLING NUT	ZINC DIE-CAST	BLACK
2	OVERMOLD	PVC	GRAY
1	DEVICENET DROP CABLE, 2P, SHLD	PVC JACKET	GRAY

CORRECTED PINS FOR: 5 & 7M  
 EC NO: IFC2017-0356  
 DRWN: RSTONE 10/3/16  
 CHKD: M ZIELIN 2016/10/04  
 APPR: TWOLDEGE

QUALITY SYMBOLS  
 ▽=0  
 ▽/C=0

GENERAL TOLERANCES (UNLESS SPECIFIED)

	mm	INCH
4 PLACES	±---	±---
3 PLACES	±---	±---
2 PLACES	±---	±---
1 PLACE	±---	±---

ANGULAR ±---°

DRAFT WHERE APPLICABLE  
MUST REMAIN  
WITHIN DIMENSIONS

DIMENSION STYLE IN/MM

SCALE ---

DESIGN UNITS INCH

THIRD ANGLE PROJECTION

DRAWN BY DATE  
VOU 2009/07/30

CHECKED BY DATE  
BWOODMAN 2009/07/31

APPROVED BY DATE  
---

MATERIAL NO. SEE CHART

SIZE A

TITLE  
M12 DEVICENET CABLE ASSY  
5P MALE/FEM ST/90  
#22/4 SHLD PVC -THIN STD

MOLEX INCORPORATED

DOCUMENT NO. SD-130028-002

SHEET NO. 1 OF 1

THIS DRAWING CONTAINS INFORMATION THAT IS PROPRIETARY TO MOLEX INCORPORATED AND SHOULD NOT BE USED WITHOUT WRITTEN PERMISSION

6

5

4

3

2

1