

PART
NAME

BATTERY HOLDER- 2 AAA

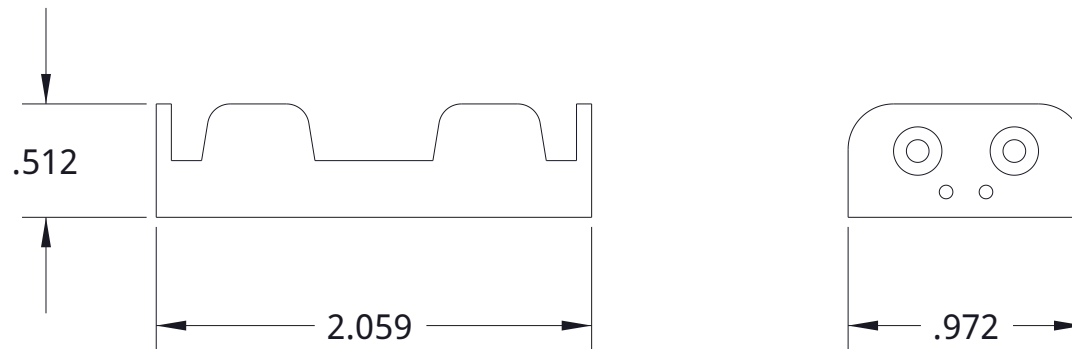
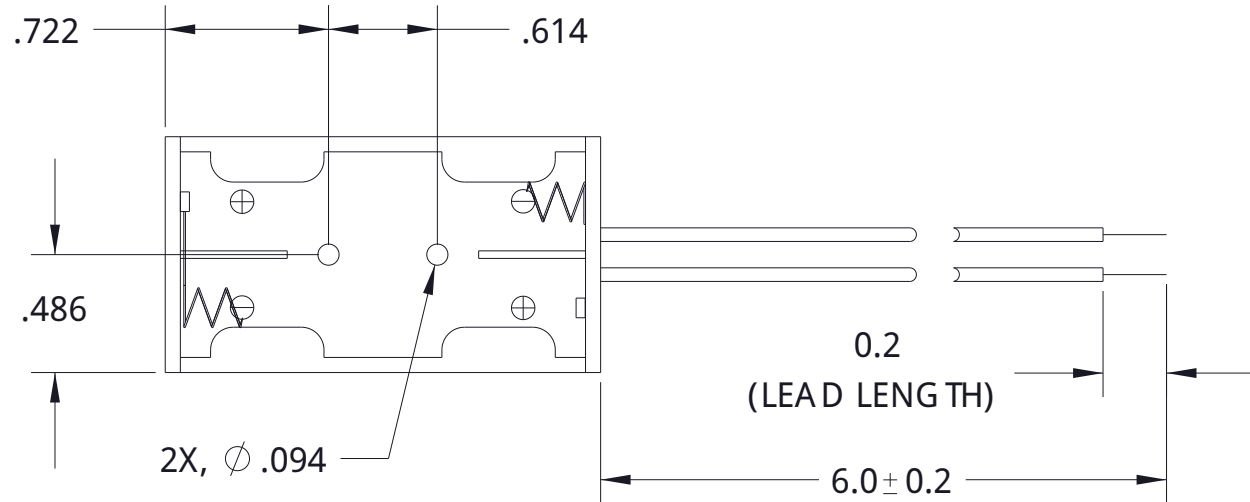
PART
No.

HH-3630

REVISION
DATE

08MAY07

MATERIAL: POLYPROPYLENE



ALL TOLERANCES ARE ± 0.015 UNLESS OTHERWISE SPECIFIED.