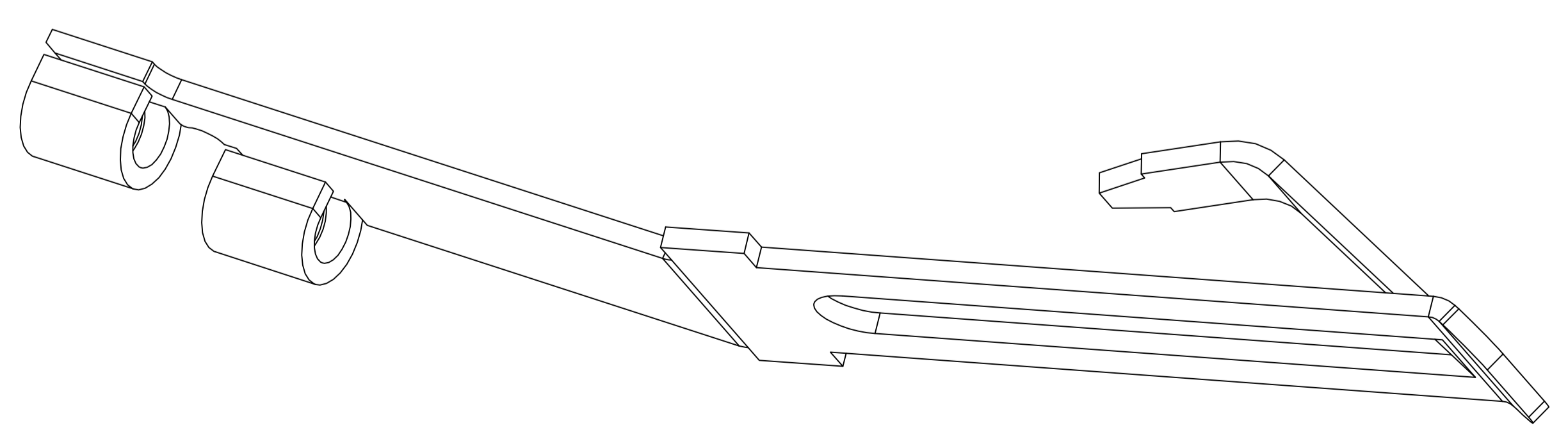
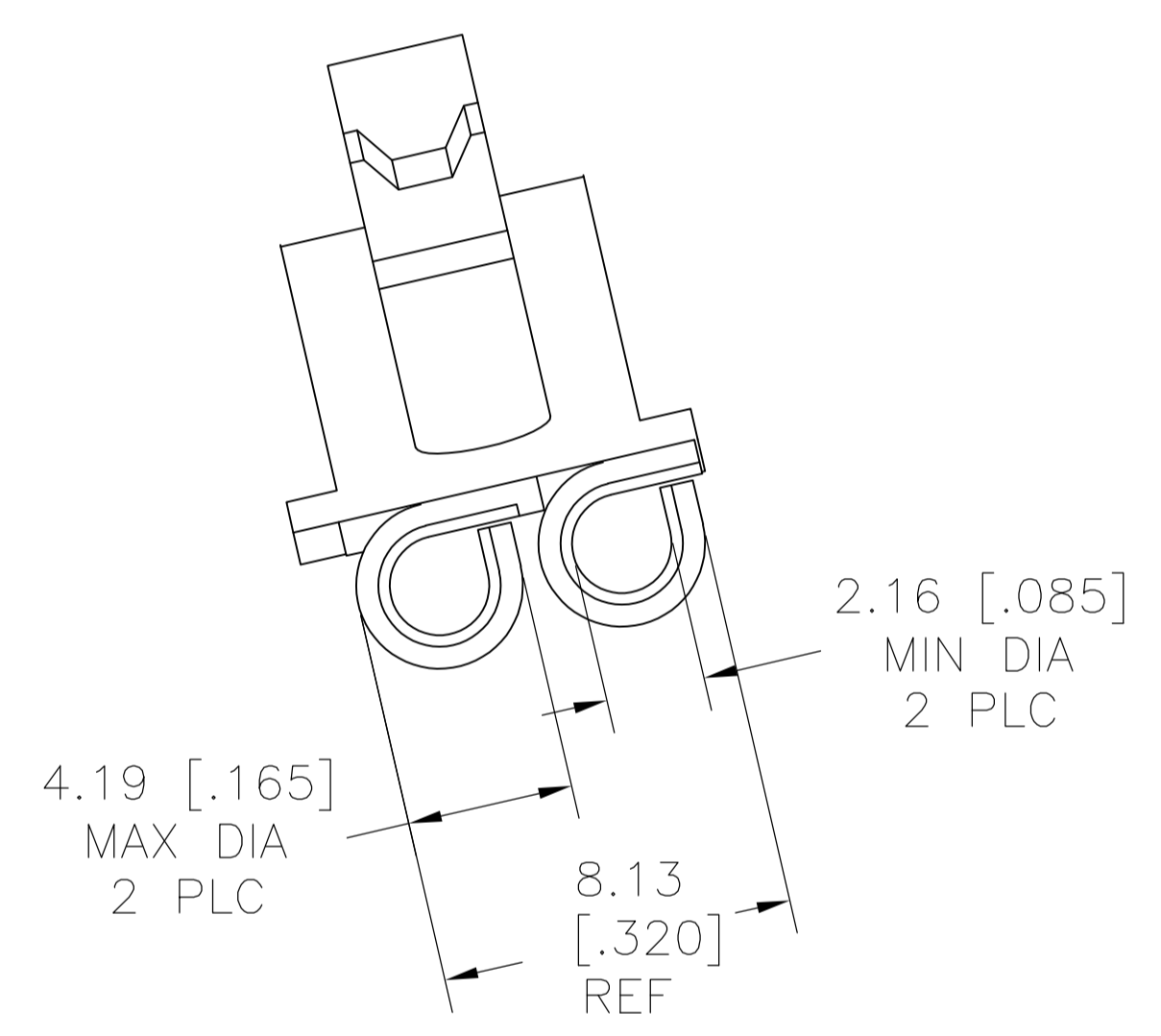
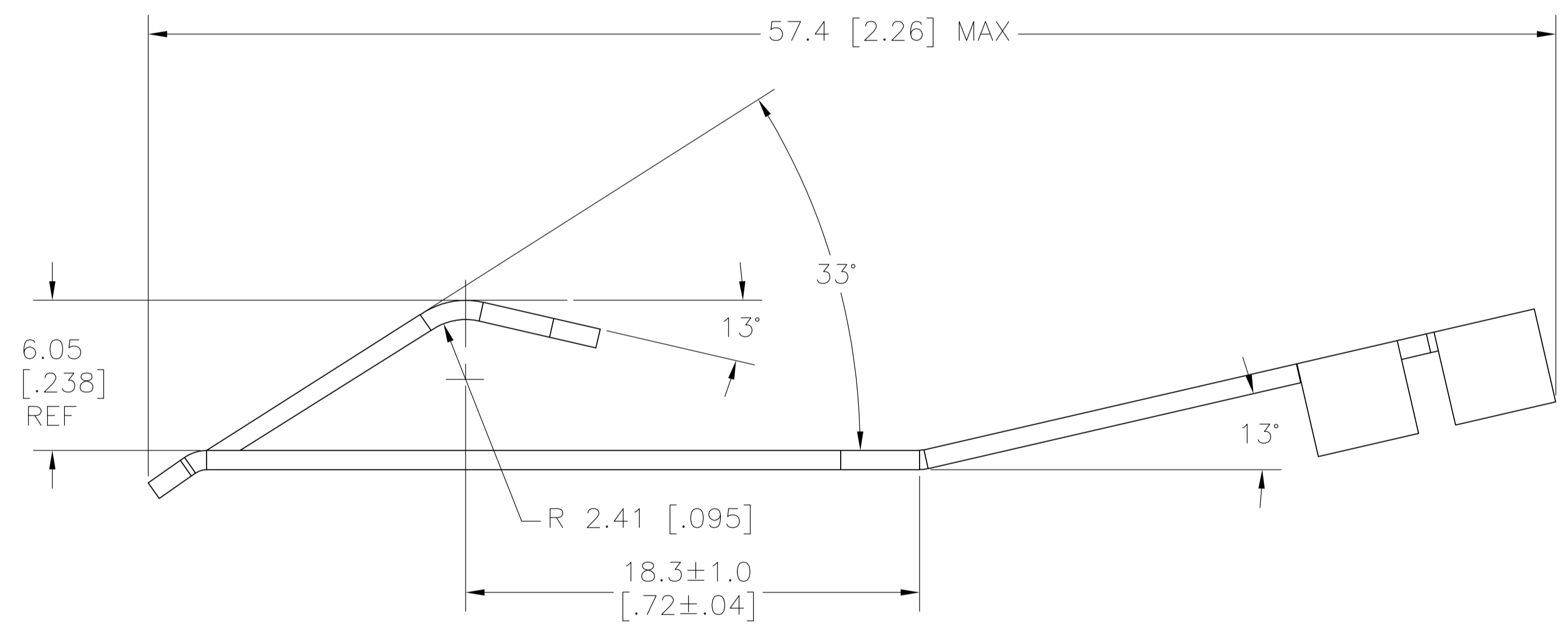
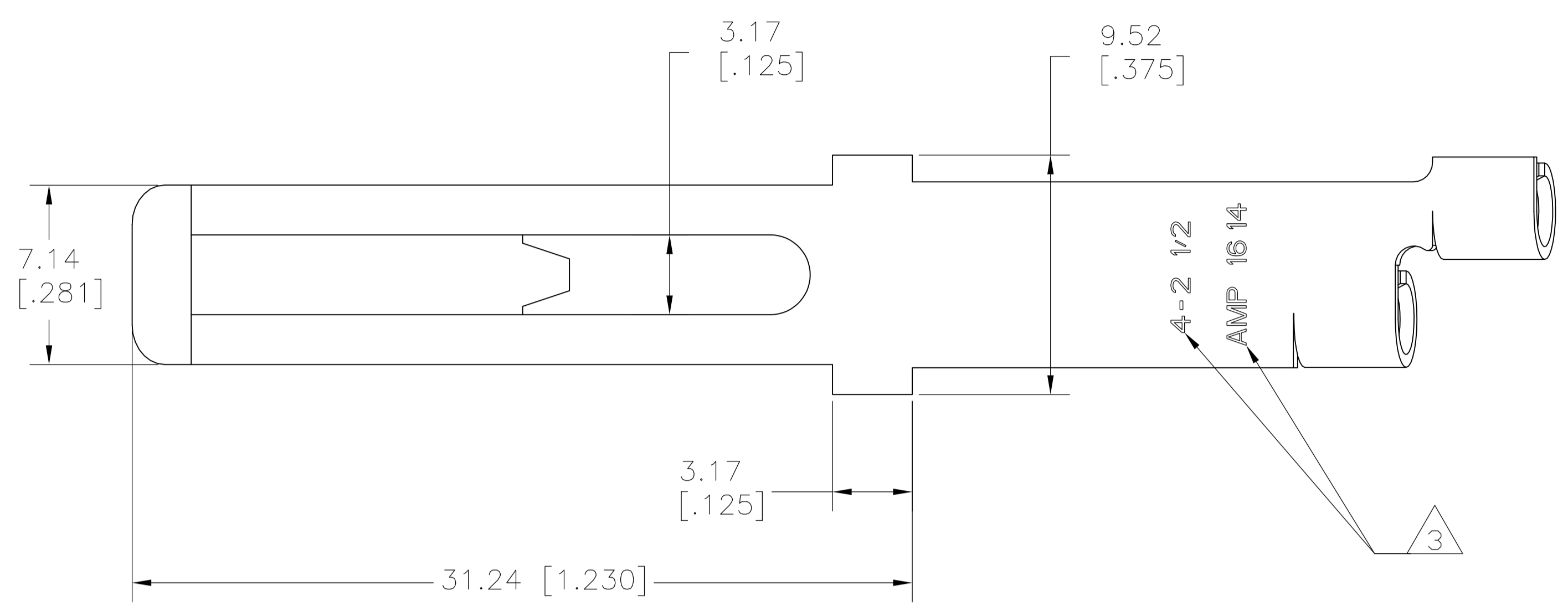


LOC		DIST		REVISIONS			
P	LTR	DESCRIPTION	DATE	DMN	APVD		
G	02	K	REV & REDAWN PER ECR 09-011654	28MAY09	JR	TM	

- ① MATERIAL: PHOS BRONZE 0.79 [.031] THICK
- ② SILVER PLATE
- ③ TEXT IS ON SIDE OF PART SHOWN.



50271
PART NO.

THIS DRAWING IS A CONTROLLED DOCUMENT.		DMN jr_ruth 28MAY09	Tyco Electronics Corporation Harrisburg, PA 17105-3608	
DIMENSIONS: MM [INCHES]		CHK TOM MICHELUTTI 28MAY09	NAME TOM MICHELUTTI	
TOLERANCES UNLESS OTHERWISE SPECIFIED:		APVD TOM MICHELUTTI 28MAY09	PRODUCT SPEC	
0 PLC ± -		APPLICATION SPEC		
1 PLC ± 0.3 [.012]		SIZE A1		
2 PLC ± 0.20 [.008]		CAGE CODE 00779		
3 PLC ± -		DRAWING NO 50271		
4 PLC ± -		RESTRICTED TO		
ANGLES ± -		WEIGHT		
FINISH		CUSTOMER DRAWING		
SCALE 5:1		SHEET 1 OF 1		
REV K				