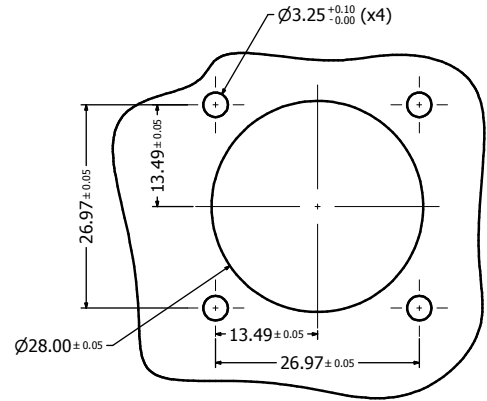
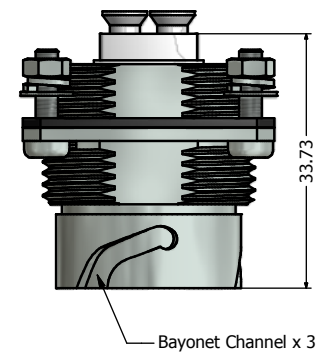


Recommended Double-D Panel Cutout

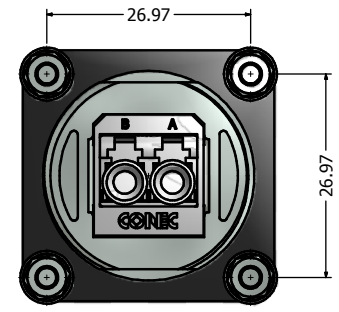
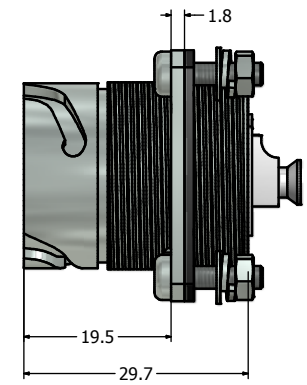
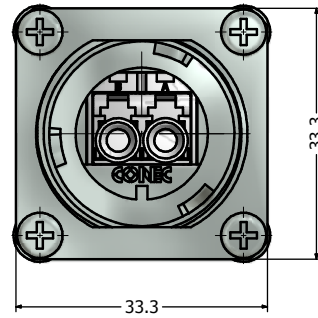


Recommended Round Panel Cutout



Notes:

- Material and Finish:
 - Receptacle Housing: Die-Cast, Nickel Plated
 - Panel Gasket: NBR, Color: Black
 - M3 Mounting Hardware: Stainless Steel includes 4 x (screw + nut + flat washer + spring lock washer)
 - Duplex LC Adaptor Assembly:
 - Housing: Mod. PPO, UL94 V-0, Color: **SM Blue/MM Beige/APC SM Green**
 - Alignment Sleeves: SM Ceramic/MM Phosphor Bronze
 - Dust Cap: PP, Color: Neutral transparent
 - Operating Temperature: -40°C to +85°C
- Connector can be front or rear mounted to a maximum panel thickness of 3.2mm.
- IP67 rated when covered or fully mated with the appropriate mating connector
- Hardware shipped unassembled



Directive 2002/95/EC RoHS Compliant

Description	Part Number
Single Mode (SM)	17-300670
Multi Mode (MM)	17-300680
APC Single Mode (APC SM)	17-300690

THIS DRAWING MAY NOT BE COPIED OR REPRODUCED IN ANY WAY AND MAY NOT BE PASSED ON TO A THIRD PARTY WITHOUT WRITTEN PERMISSION. OWNERSHIP AND COPYRIGHT OF CONEC CORPORATION DO NOT ALTER CAD DRAWING BY HAND	Customer:		Tolerance Unless otherwise specified 0 PLC ±0.30 1 PLC ±0.20 2 PLC ±0.10 3 PLC ±0.05 ANGLES ±1°		Scale:	Dim. in mm	
	Name	Title			Approval Date	Material: See Notes	
	2012	Date			Name	Title: IP67 Industrial Duplex LC Receptacle (with Flange) Assembly Kit Nickel Plated Zinc Die-Cast Version	
	Draw. Apr. 17	Vincent Ke			Appd. Apr. 17	Drawing No.: 17K1A326	
Rev. Changes			D-old		Part No.: SEE PART NUMBER TABLE	DIN A3 Sheet 1/1	

