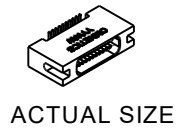
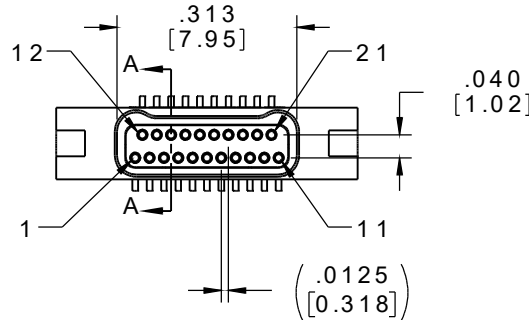
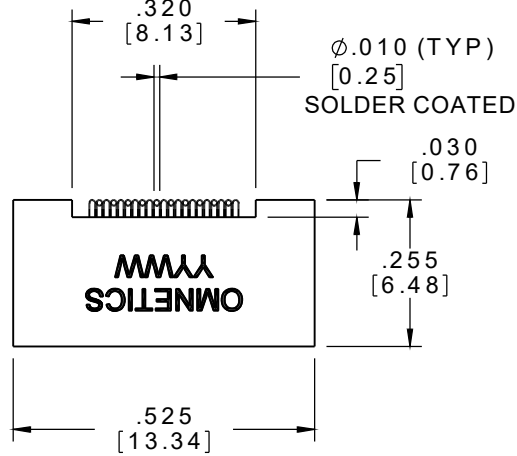
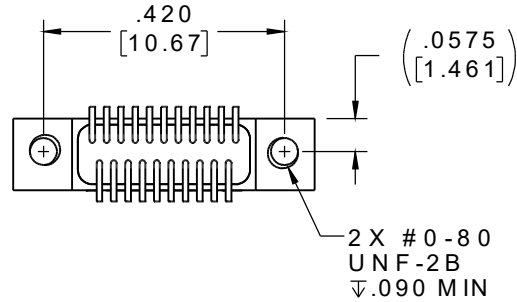
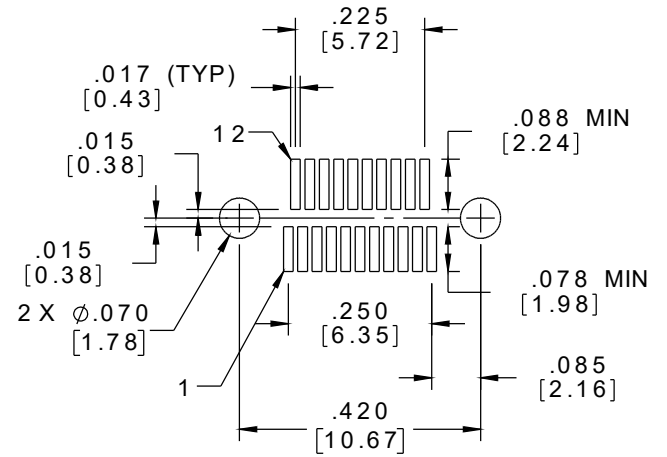


# MATERIALS & SPECIFICATIONS

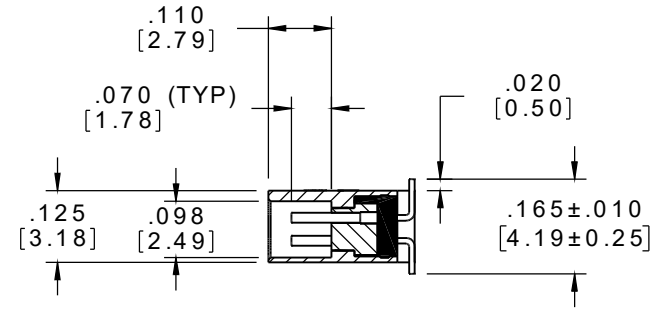
- HOUSING:**  
ALUMINUM 6061-T6, NICKEL PLATE (500 MICRONS MINIMUM) PER SAE-AMS-2404
- INSULATOR:**  
LIQUID CRYSTAL POLYMER (LCP) PER ASTM D5138
- CONTACTS:**  
COPPER ALLOY PER MIL-DTL-32139, GOLD PLATED PER ASTM B488, (HARD GOLD) TYPE II CODE C, CLASS 1.27
- TERMINATION:**  
SOLDER COATED WITH SN63A PER J-STD-006
- CURRENT RATING:**  
1 AMP MAX PER MIL-DTL-32139
- CONTACT RESISTANCE:**  
71 MILLIOHM MAX (71mV DROP MAX) @ 1.0 AMPS PER MIL-DTL-32139
- PERFORMANCE:**  
PRODUCT FAMILY TESTED TO AND PASSED THE PERFORMANCE SPECIFICATIONS OF TABLE VIII OF MIL-DTL-32139



PART NO.	A29052-021	REV	ECO	DATE	APP
		A	103570	06-23-17	TLM



SUGGESTED PAD LAYOUT



SECTION A-A

NOTE:  
DIMENSIONS IN [ ] ARE IN MILLIMETERS UNLESS OTHERWISE NOTED AND ARE FOR REFERENCE ONLY

MNSL /S/DW/	THIRD ANGLE	THIS DRAWING CONTAINS CONFIDENTIAL AND PROPRIETARY INFORMATION WHICH IS THE PROPERTY OF OMNETICS CONNECTOR CORP. THIS DOCUMENT MAY NOT, IN WHOLE OR IN PART, BE DUPLICATED, OR DISCLOSED FOR ANY PURPOSE, WITHOUT WRITTEN PERMISSION FROM OMNETICS CONNECTOR CORP.	
	-TOLERANCES- UNLESS OTHERWISE NOTED DIMENSIONS IN INCHES	DFTM. EDG	TITLE:
	2 PL DEC ± .01	DATE 05-31-17	(21) SOCKET FEMALE
	3 PL DEC ± .005	DATE	LATCHING Bi-Lobe®
4 PL DEC ± .0005	DATE	CONNECTOR	
ANGLES ± 1°	APP'D.		

**OMNETICS**  
CONNECTOR CORPORATION  
7260 COMMERCE CIRCLE EAST  
MINNEAPOLIS, MN 55432  
WWW.OMNETICS.COM

CAGE CODE 61873	
DWG NO. A29052-021	
SHEET 1 OF 1	REV A
SCALE: 3:1	