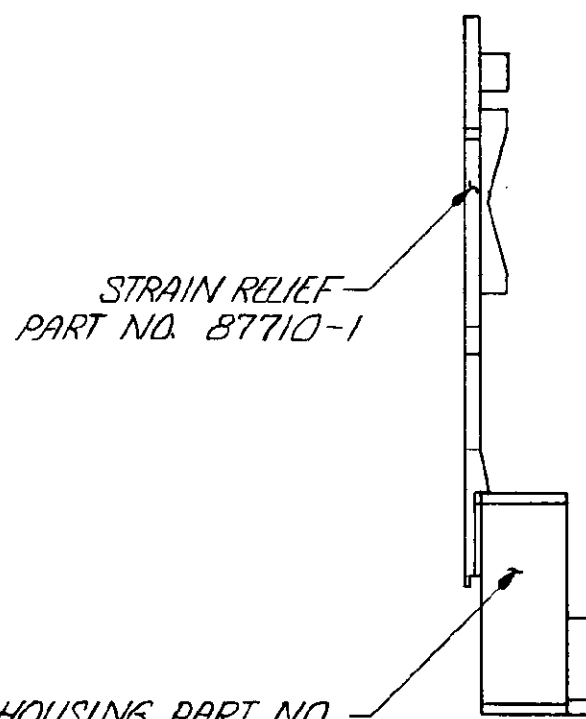
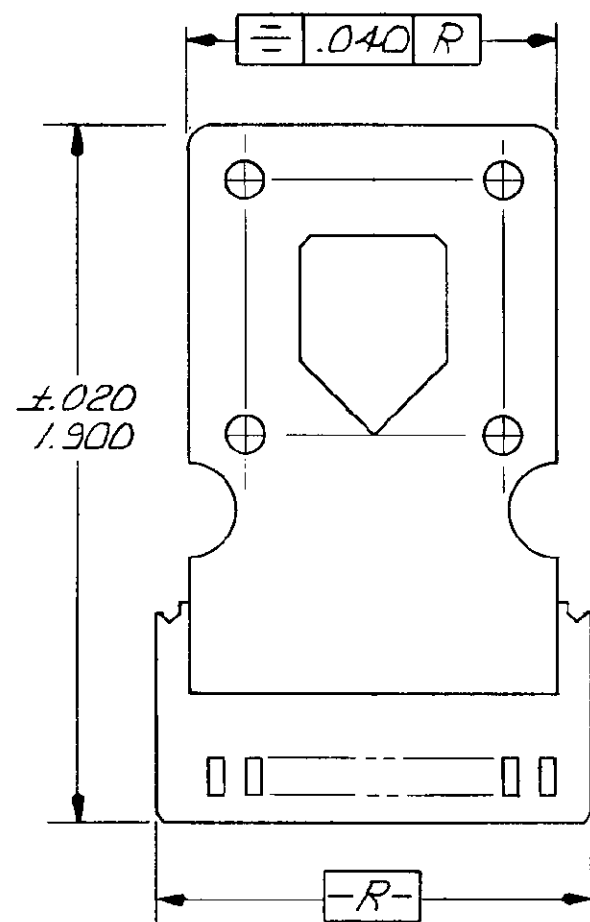


THIS DRAWING IS UNPUBLISHED. RELEASED FOR PUBLICATION, 19
© COPYRIGHT 19 BY AMP INCORPORATED, HARRISBURG, PA. ALL INTERNATIONAL RIGHTS RESERVED. AMP PRODUCTS MAY BE COVERED BY U.S. AND FOREIGN PATENTS AND/OR PATENTS PENDING.

REVISIONS						
P	F	ZONE	LTR	DESCRIPTION	DATE	APPROVED
0	✓		D	REL. WAS 5210-659-1		
✓	✓	A		REV LOC & DIST AD-4171	11-22-89	BF



1. STRAIN RELIEF ULTRASONICALLY WELDED TO THE HOUSING.

103583

102387-4	20	103583-1
HOUSING PART NO.	NO. OF POS.	PART NO.

UNLESS OTHERWISE SPECIFIED DIMENSIONS ARE IN INCHES. TOLERANCES ON: DECIMALS ± .005 ANGLES ± .5°	CONTRACT NO.	AMP AMP INCORPORATED Harrisburg, Pa. 17105	
	DR <i>MA Meyer</i> 1-30-85		
MATERIAL FLAME RETARDANT THERMOPLASTIC COLOR: BLACK	CHK <i>W. J. ...</i> 1/21/85	APPD <i>W. J. ...</i> 1/31/85	APPD <i>W. J. ...</i> 1/31/85
FINISH	DSGN APPD	OTHER APPD	SIZE C FSCM NO 00779 DRAWING NO 103583
SCALE 4:1		SHEET	