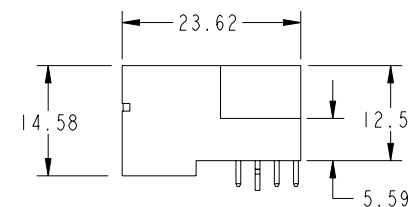
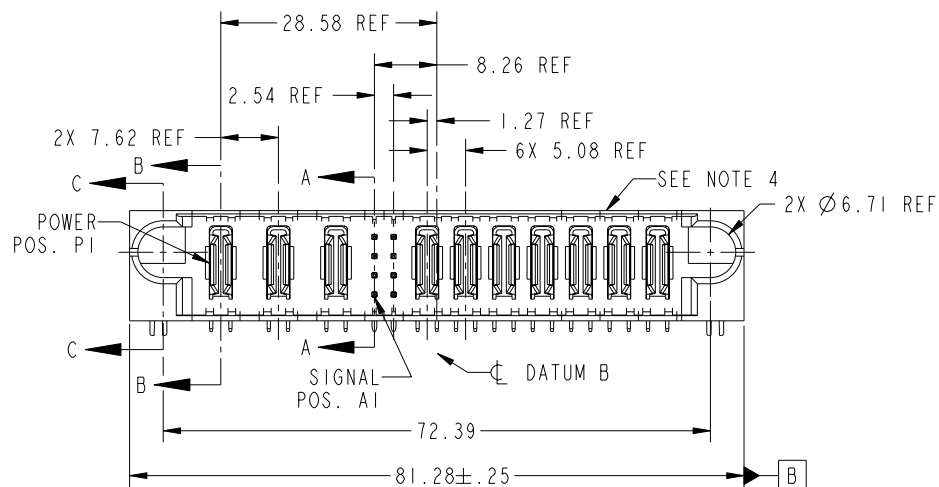


Tous droits strictement réservés. Reproduction ou communication o des tiers interdite sous quelque forme que ce soit sans autorisation écrite du propriétaire. Propriete de c FCI. Droits de reproduction FCI.



All rights strictly reserved. Reproduction or issue to third parties in any form whatever is not permitted without written authority from the proprietor. Property of FCI. Copyright FCI.

| | | | | | | | | | | | | | | |
|-----------------------|------------------|-------|----|----|--------|--------------------------------------|-------|----|----|----|----|----|----|-----|
| PRODUCT NO. | ROWS | POWER | | | SIGNAL | | POWER | | | | | | | |
| | | E1 | P1 | P2 | P3 | 1 | 2 | P4 | P5 | P6 | P7 | P8 | P9 | P10 |
| 51939-256-- NOTE 3 | D C B A | | PA | PA | PA | H H G G F F E E | PA | PA | PA | PA | PA | PA | PA | |



| CODE | DIM "M" MATING LENGTH | CONTACT TYPE |
|------|-----------------------------|-----------------|
| H | [5.59] | SIGNAL |
| G | [5.59] | SIGNAL |
| F | [5.59] | SIGNAL |
| E | [5.59] | SIGNAL |
| PA | [N/A] | POWER |
| HA | [N/A] | HOLD-DOWN |

| | | | | | | | | | | | |
|-------------|----------------|-----|----------|----------|---------------|---------------------------------------|------------|----------|--|---------------------------|--|
| mat'l code | | | | SEE NOTE | | tolerances unless otherwise specified | | CUSTOMER | | FCI www.fciconnect.com | |
| ltr | ecr no. | dr | date | linear | 0.X ± 0.3 | | COPY | | title 3ACP + 8S + 7P RIGHT ANGLE SOLDER HEADER | | |
| A | DG06-0415 | JMG | 10/10/06 | | 0.XX ± 0.13 | | projection | | | | |
| | | | | | 0.XXX ± 0.051 | | | | | | |
| | | | | angles | 0° ± 2° | | MM | | product family PwrBlade code | | |
| | | | | dr | JM GUO | 10/10/06 | ← MM → | | size | | |
| | | | | engr | RYAN YUAN | 10/10/06 | scale | | 51939-256 | | |
| | | | | chr | BEER FU | 10/10/06 | 1:1 | | sheet | | |
| | | | | appd | JOSEPH HSIA | 10/10/06 | | | 1 of 4 | | |
| sheet index | revision sheet | A 1 | A 2 | A 3 | A 4 | | | | | cage code | |
| | | | | | | | | | | 22526 | |

Pro/E

cage code 22526

PDM: Rev:A

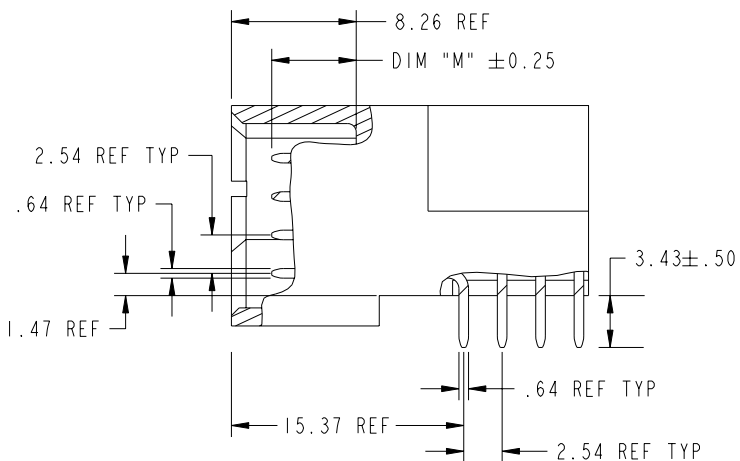
STATUS: Released

Printed: Dec 20, 2010

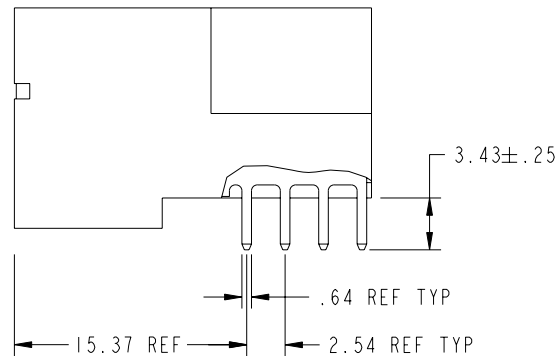
Tous droits strictement reserves. Reproduction ou communication o des tiers interdite sous quelque forme que ce soit sans autorisation ecrite du proprietaire. Propriete de c FCI. Droits de reproduction FCI.

All rights strictly reserved. Reproduction or issue to third parties in any form whatever is not permitted without written authority from the proprietor. Property of FCI. Copyright FCI.

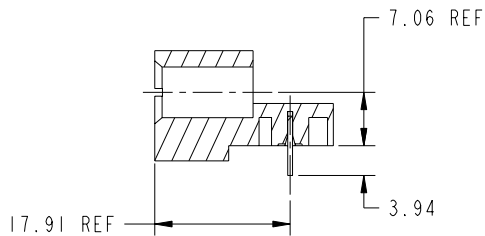
PRODUCT NUMBER
51939-256__
NOTE: 3



BROKEN-OUT SECTION A-A
SCALE 2:1



BROKEN-OUT SECTION B-B
SCALE 2:1



SECTION C-C

| | | | | | | | | | | | |
|-------------|---------|----------------|------|----------|----------------------|---------------------------------------|--|----------|--|---|--|
| mat'l code | | | | SEE NOTE | | tolerances unless otherwise specified | | CUSTOMER | | FCI www.fciconnect.com | |
| ltr | ecr no. | dr | date | linear | 0.X ±0.3 | projection | | COPY | | title | |
| A | | | | | 0.XX ±0.13 | MM | | A | | 3ACP + 8S + 7P RIGHT ANGLE SOLDER HEADER | |
| | | | | angles | 0.XXX ±0.051 | scale | | 1:1 | | product family | |
| | | | | dr | JM GUO 10/10/06 | A | | A | | PwrBlade | |
| | | | | enr | RYAN YUAN 10/10/06 | A | | A | | code | |
| | | | | chr | BEER FU 10/10/06 | A | | A | | 213 | |
| | | | | appd | JOSEPH HSIA 10/10/06 | A | | A | | sheet | |
| sheet index | | revision sheet | | | | | | | | 2 of 4 | |

cage code 22526

Pro/E

PDM: Rev:A

STATUS: Released

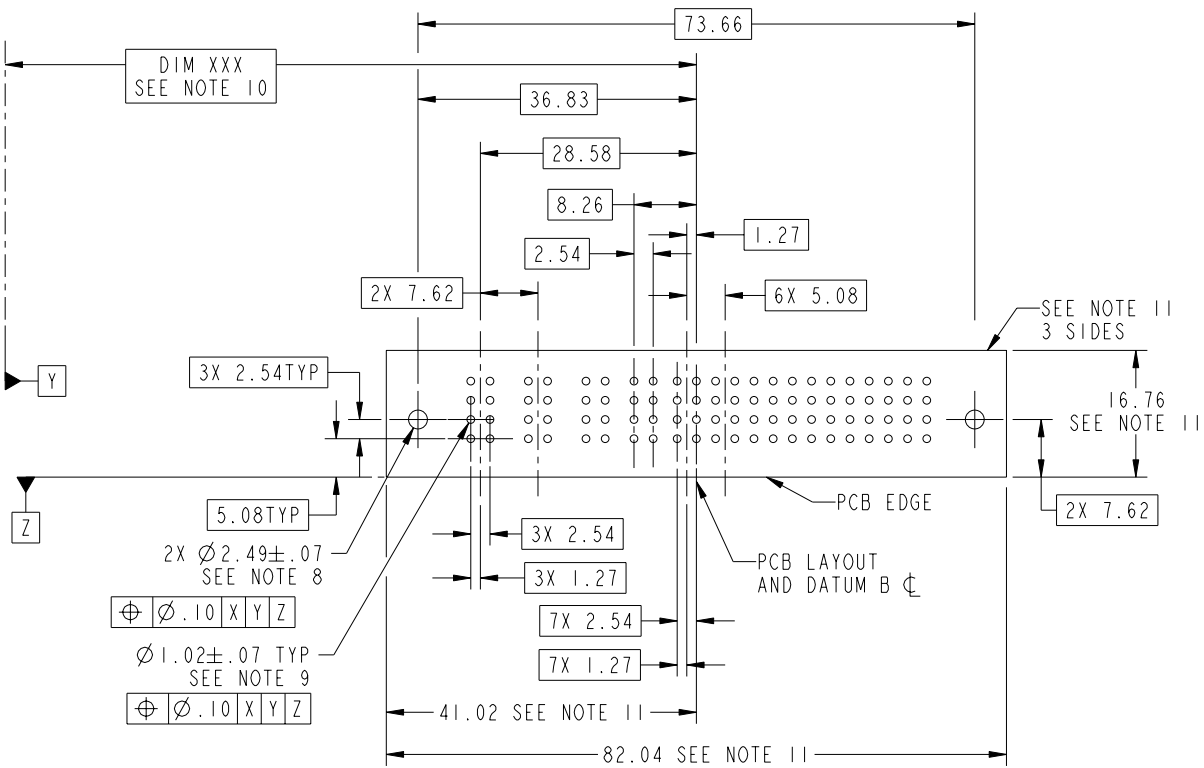
Printed: Dec 20, 2010

Tous droits strictement reserves. Reproduction ou communication o des tiers interdite sous quelque forme que ce soit sans autorisation ecrite du proprietaire. Propriete de c FCI. Droits de reproduction FCI.



All rights strictly reserved. Reproduction or issue to third parties in any form whatever is not permitted without written authority from the proprietor. Property of FCI. Copyright FCI.

PRODUCT NUMBER
51939-256__
NOTE: 3



RECOMMENDED PCB LAYOUT

| | | | | | | | | | | | |
|-------------|----------------|----|------|----------|----------------------|---------------------------------------|--|----------------|--|---------------------------|--|
| mat'l code | | | | SEE NOTE | | tolerances unless otherwise specified | | CUSTOMER | | FCI www.fciconnect.com | |
| ltr | ecr no. | dr | date | linear | 0.X ± 0.3 | projection | | COPY | | title | |
| A | | | | | 0.XX ± 0.13 | MM | | 3ACP + 8S + 7P | | RIGHT ANGLE SOLDER HEADER | |
| | | | | angles | 0.XXX ± 0.051 | scale | | product family | | code | |
| | | | | dr | 0° ± 2° | 1:1 | | PwrBlade | | 213 | |
| | | | | enr | JM GUO 10/10/06 | | | size | | sheet | |
| | | | | chr | RYAN YUAN 10/10/06 | | | A | | 3 of 4 | |
| | | | | appd | BEER FU 10/10/06 | | | 51939-256 | | | |
| | | | | | JOSEPH HSIA 10/10/06 | | | | | | |
| sheet index | revision sheet | | | | | | | | | | |

cage code 22526

Pro/E

Tous droits strictement reserves. Reproduction ou communication o des tiers interdite sous quelque forme que ce soit sans autorisation ecrite du proprietaire. Propriete de c FCI. Droits de reproduction FCI.



All rights strictly reserved. Reproduction or issue to third parties in any form whatever is not permitted without written authority from the proprietor. Property of FCI. Copyright FCI.

PRODUCT NUMBER

51939-256__
NOTE: 3

NOTES:

1. DIMENSIONS AND TOLERANCES ARE IN ACCORDANCE WITH ASME Y14.5M, 1994 UNLESS OTHERWISE SPECIFIED.

CONNECTOR NOTES:

- 2. HOUSING MATERIAL: UL 94 V-0 GLASS FILLED
HIGH-TEMP THERMOPLASTIC
POWER CONTACT MATERIAL: COPPER ALLOY
SIGNAL PIN MATERIAL: COPPER ALLOY
 - 3. 51939-256;51939-256LF;51939-256GLF PLATING SPEC. SEE PRINT:10064183
 - 4. MANUFACTURER'S NAME, P/N, AND DATE CODE TO APPEAR ON THIS SURFACE.
 - 5. PRODUCT SPECIFICATION GS-12-149.
APPLICATION SPECIFICATION BUS-20-067.
 - 6. PACKAGED IN TRAYS.
- PCB NOTES:
- 7. ALL HOLE DIAMETERS ARE FINISHED HOLE SIZE.
 - 8. MOUNTING HOLES, WHERE APPLICABLE, ARE UNPLATED.
 - 9. $\varnothing 1.151 \pm 0.025$ DRILLED HOLES PLATED WITH
0.008 MIN SnPb OR Sn OVER 0.03
TO 0.08 Cu PLATING TO ACHIEVE
 $\varnothing 1.02 \pm .07$ HOLE.
 - 10. "DIM XXX" TO BE DETERMINED BY THE CUSTOMER.
 - 11. CONNECTOR KEEP-OUT ZONE.

| | | | | | | | | | |
|-------------|----------------|----------|------|---------------------------------------|----------------------|------------|--|------------------------------|--|
| mat'l code | | SEE NOTE | | tolerances unless otherwise specified | | CUSTOMER | | www.fciconnect.com | |
| ltr | ecn no. | dr | date | linear | 0.X ± 0.3 | COPY | | title | |
| A | | | | | 0.XX ± 0.13 | projection | | 3ACP + 8S + 7P | |
| | | | | angles | 0.XXX ± 0.051 | | | RIGHT ANGLE SOLDER HEADER | |
| | | | | dr | JM GUO 10/10/06 | MM | | product family PwrBlade code | |
| | | | | enr | RYAN YUAN 10/10/06 | | | size 213 | |
| | | | | chr | BEER FU 10/10/06 | scale 1:1 | | sheet 4 of 4 | |
| | | | | appd | JOSEPH HSIA 10/10/06 | | | A 51939-256 | |
| sheet index | revision sheet | | | | | | | | |



www.fciconnect.com

title 3ACP + 8S + 7P
RIGHT ANGLE SOLDER HEADER

product family PwrBlade code 213

size 4 of 4
A 51939-256

cage code 22526

Pro/E

PDM: Rev:A

STATUS: Released

Printed: Dec 20, 2010