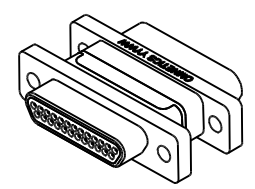
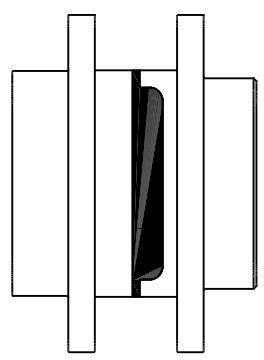
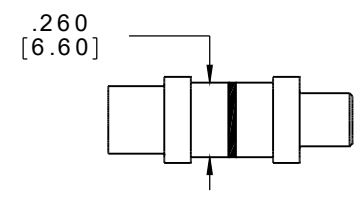
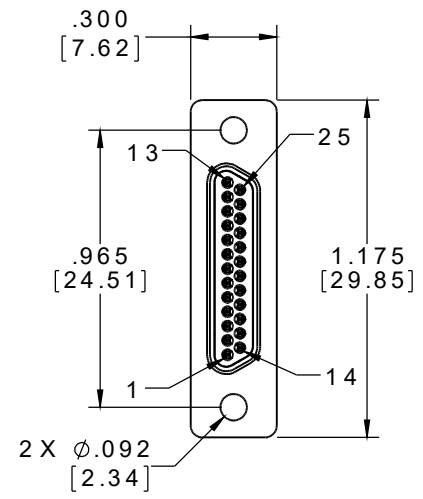
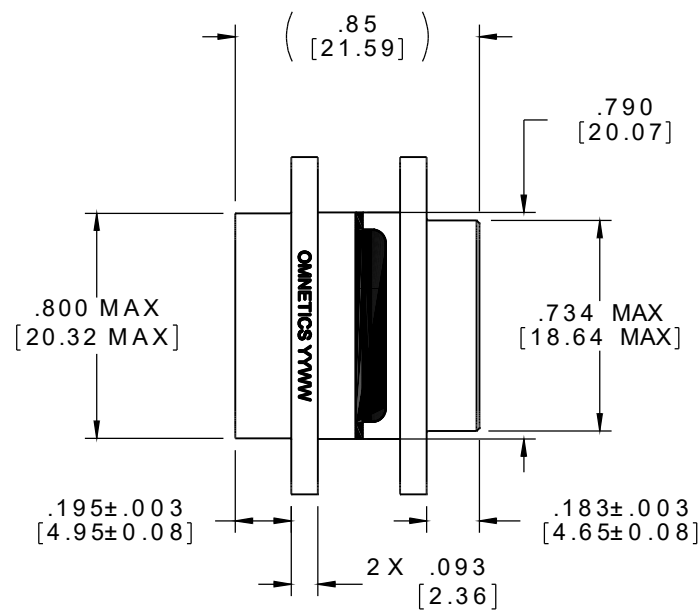
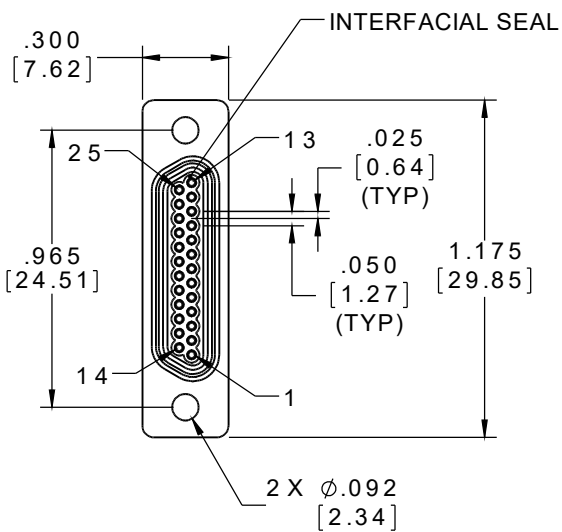


PART NO.	A97011-025	REV	ECO	DATE	APP
		A	99166	12-28-12	TLM



ACTUAL SIZE

MATERIALS

HOUSING:
ALUMINUM 6061-T6, NICKEL PLATE
PER SAE-AMS-2404

INSULATOR:
LIQUID CRYSTAL POLYMER (LCP)
PER ASTM D5138

MALE CONTACT:
BERYLLIUM COPPER PER ASTM
B194, C17200, GOLD PLATED PER
ASTM B488, (HARD GOLD) TYPE II
CODE C, CLASS 1.27

FEMALE CONTACT/SOLDERCUP:
COPPER ALLOY PER MIL-DTL-
83513, GOLD PLATED PER ASTM
B488, (HARD GOLD) TYPE II CODE
C CLASS 1.27

INTERFACIAL SEAL:
SILICONE RUBBER PER A-A-59588

MMDZ SLD/W	THIRD ANGLE
	-TOLERANCES-
	UNLESS OTHERWISE NOTED
	DIMENSIONS IN INCHES
	2 PL DEC ± .01 3 PL DEC ± .005 4 PL DEC ± .0005 ANGLES ± 1°

THIS DRAWING CONTAINS CONFIDENTIAL AND PROPRIETARY INFORMATION WHICH IS THE PROPERTY OF OMNETICS CONNECTOR CORP. THIS DOCUMENT MAY NOT, IN WHOLE OR IN PART, BE DUPLICATED, OR DISCLOSED FOR ANY PURPOSE, WITHOUT WRITTEN PERMISSION FROM OMNETICS CONNECTOR CORP.	
DFTM. MJM	DATE 12-18-12
CHK'D.	DATE
APP'D.	DATE
TITLE: (25) POSITION MICRO-D CONNECTOR SAVER	

OMNETICS
CONNECTOR CORPORATION
7260 COMMERCE CIRCLE EAST
MINNEAPOLIS, MN 55432
WWW.OMNETICS.COM

CAGE CODE 61873	
DWG NO. A97011-025	
SHEET 1 OF 1	REV A
SCALE: 3:2	