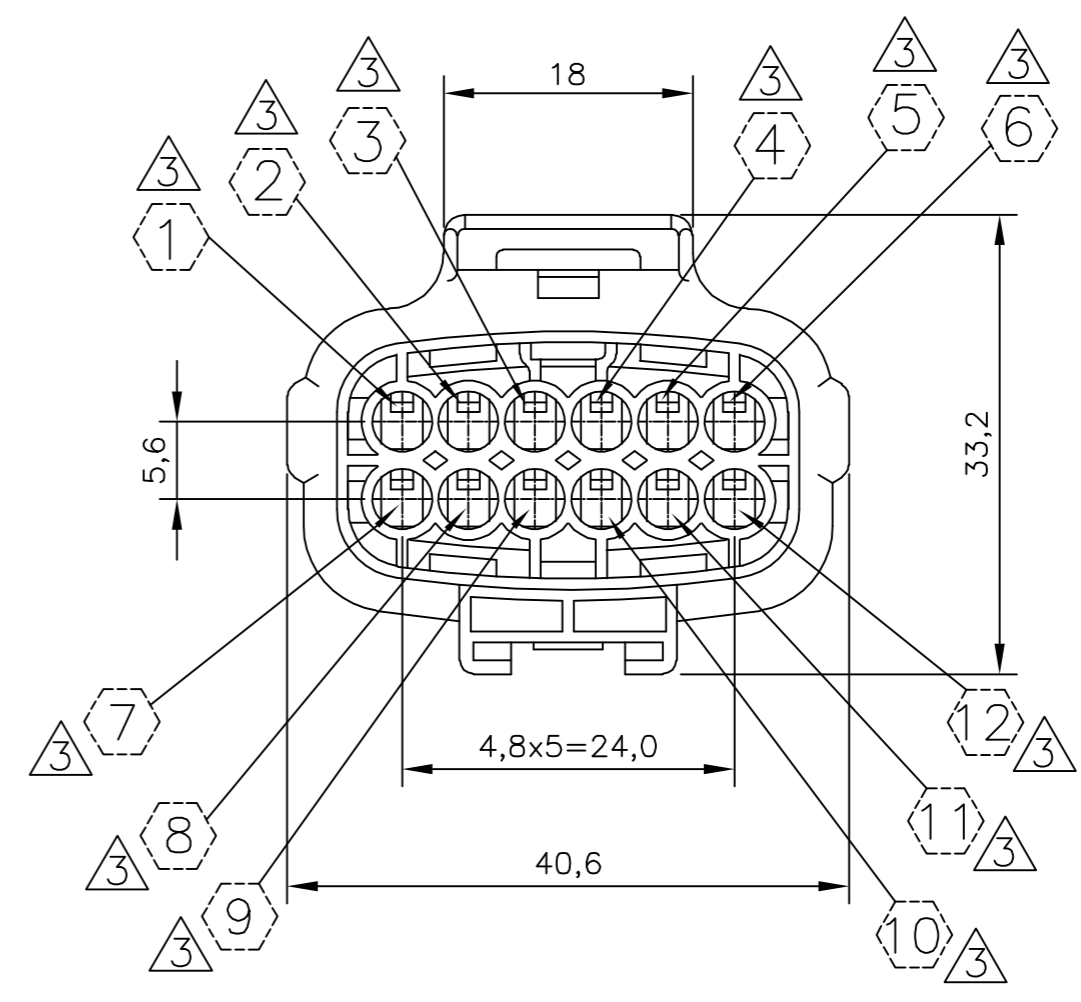
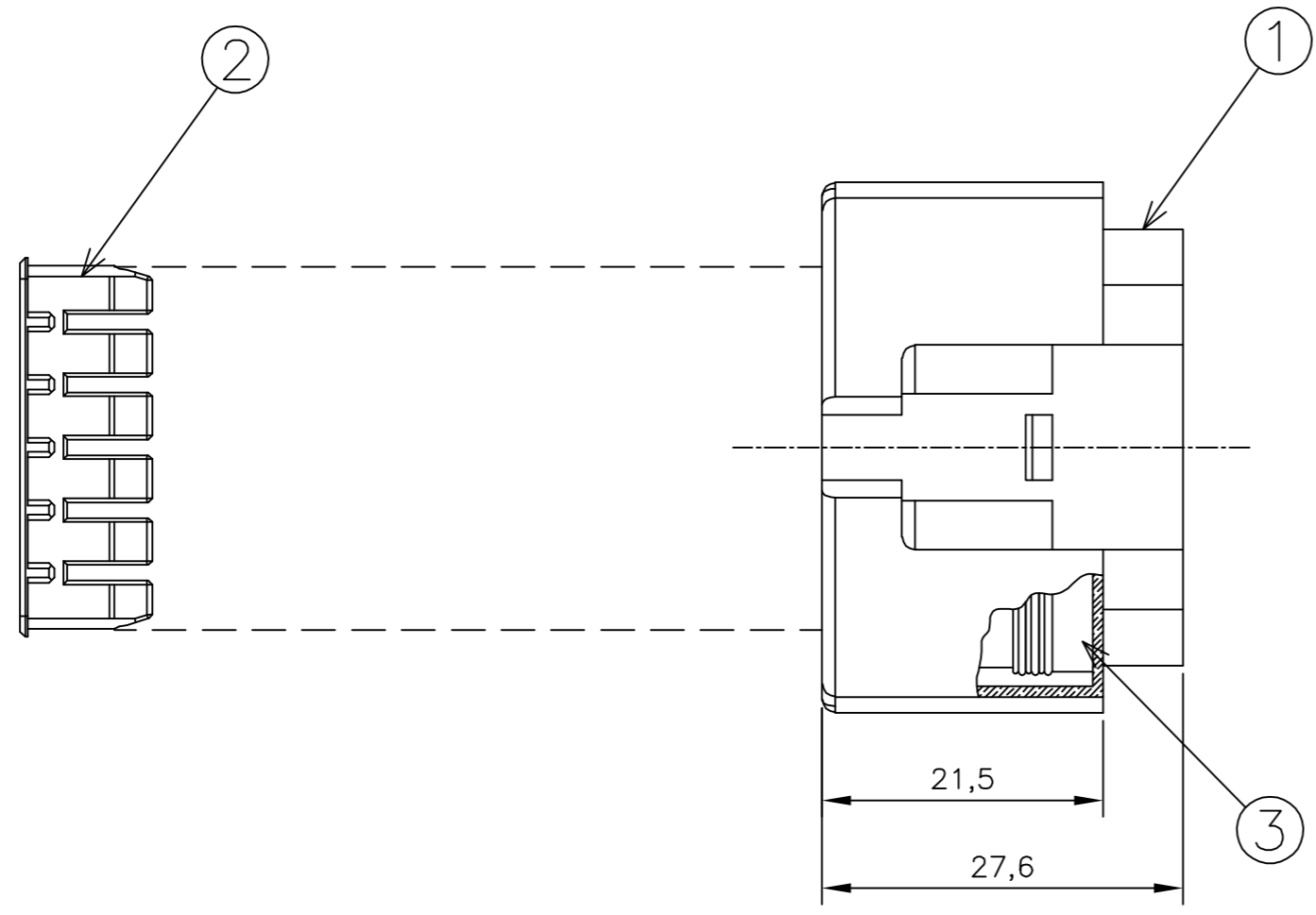
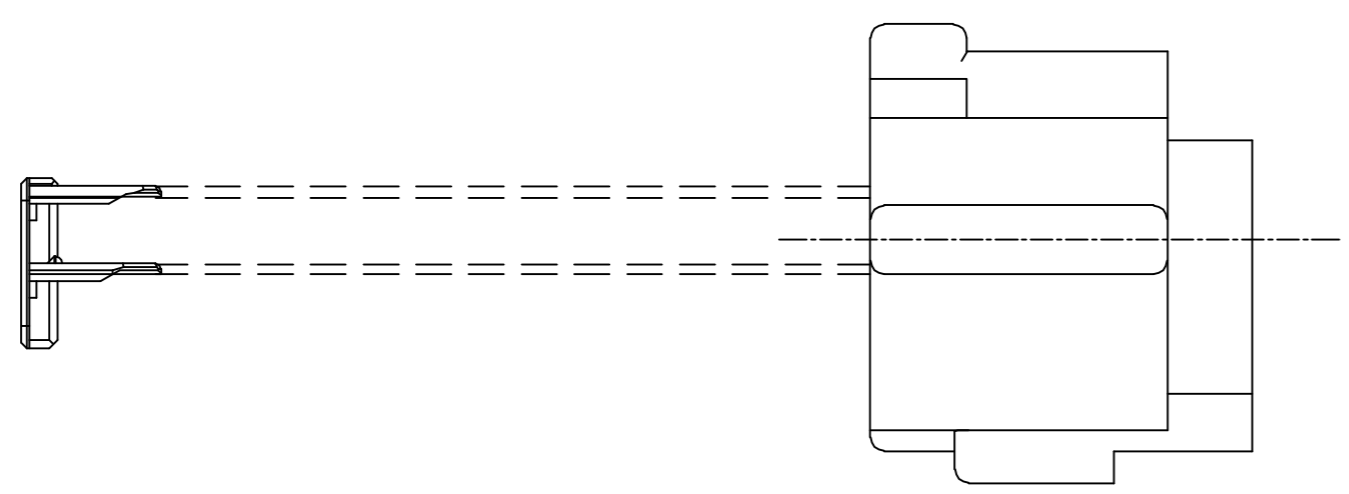


THIS DRAWING IS UNPUBLISHED. RELEASED FOR PUBLICATION
 © COPYRIGHT - By - ALL RIGHTS RESERVED.

LOC		DIST		REVISIONS			
P	LTR	DESCRIPTION	DATE	DWN	APVD		
AP	-	B1	REVISED DESIGN ECO-12-009649	23MAY2012	NCL	GOJ	



- 1 - OS ITENS 1 e 2 DEVEM SER FORNECIDOS DESMONTADOS
ITENS 1 AND 2 MUST BE SUPPLIED NOT ASSEMBLED
- 2 - OS ITENS 1 e 3 DEVEM SER FORNECIDOS MONTADOS
ITENS 1 AND 3 MUST BE SUPPLIED ASSEMBLED
- ⊠ - INDICAÇÃO DOS CIRCUITOS ⊠ SOMENTE ORIENTATIVO: NÃO CONSTAM COMO GRAVAÇÃO NA PEÇA FÍSICA
CIRCUIT INDICATION ⊠ IS ONLY ORIENTATIVE: DON'T HAVE MARKING IN THE PHYSICAL PART
- 4 - CONTRA-PEÇA: VER DESENHO PN 444010
COUNTER-PART: SEE DRAWING PN 444010

SELOS RECOMENDADOS RECOMMENDED WIRE SEALS					
PART NUMBER	DESCRIÇÃO DESCRIPTION	WIRE RANGE	INSULATION RANGE	MATERIAL	ACABAMENTO FINISH
172748-1	SINGLE WIRE SEAL	CAVITY PLUG	CAVITY PLUG	SILICONE / SILICON	PRETO/BLACK
172748-2	SINGLE WIRE SEAL	CAVITY PLUG	CAVITY PLUG	SILICONE / SILICON	CINZA/GRAY
444430-1	SINGLE WIRE SEAL	0,5 TO 1,5mm ²	∅ 1,4 TO 2,4mm	SILICONE / SILICON	MARROM/BROWN

TERMINAIS RECOMENDADOS RECOMMENDED TERMINALS						
PART NUMBER	DESCRIÇÃO DESCRIPTION	WIRE RANGE	INSULATION RANGE	MATERIAL	ACABAMENTO FINISH	
880694-1	TERMINAL 1.8 ECONOSEAL "J" SERIES MARKII REC	0,5 TO 1,0mm ²	∅ 1,4 TO 2,0mm	LATÃO/BRASS	PRÉ ESTANHADO/PRE TIN	
880694-2	TERMINAL 1.8 ECONOSEAL "J" SERIES MARKII REC	0,5 TO 1,0mm ²	∅ 1,4 TO 2,0mm	BRONZE	PRÉ ESTANHADO/PRE TIN	
880697-1	TERMINAL 1.8 ECONOSEAL "J" SERIES MARKII REC	0,5 TO 1,0mm ²	∅ 1,4 TO 2,4mm	LATÃO/BRASS	PRÉ ESTANHADO/PRE TIN	
880697-2	TERMINAL 1.8 ECONOSEAL "J" SERIES MARKII REC	0,5 TO 1,0mm ²	∅ 1,4 TO 2,4mm	BRONZE	PRÉ ESTANHADO/PRE TIN	
880697-3	TERMINAL 1.8 ECONOSEAL "J" SERIES MARKII REC	0,5 TO 1,0mm ²	∅ 1,4 TO 2,4mm	LATÃO/BRASS	PRÉ PRATEADO/PRE SILVER	
880698-1	TERMINAL 1.8 ECONOSEAL "J" SERIES MARKII REC	1,0 TO 1,5mm ²	∅ 1,4 TO 2,4mm	LATÃO/BRASS	PRÉ ESTANHADO/PRE TIN	
880698-2	TERMINAL 1.8 ECONOSEAL "J" SERIES MARKII REC	1,0 TO 1,5mm ²	∅ 1,4 TO 2,4mm	BRONZE	PRÉ ESTANHADO/PRE TIN	

REQ. PER ASSY	ITEM NO	DESCRIÇÃO DESCRIPTION	MATERIAL	ACABAMENTO FINISH
1	3	SEAL RING	SILICON	PRETO/ /BLACK
1	2	DOUBLE LOCK 12 POSN. ECONOSEAL J-MARK II	PBT	AMARELO/YELLOW
1	1	PLUG HSG. 12 POSN. ECONOSEAL J-MARK II	PBT	PRETO/BLACK
-1				
444011				

THIS DRAWING IS A CONTROLLED DOCUMENT. DWN: NCLapresa 09MAY2011
 CHK: José R. Goldschmidt 11MAY2011
 APVD: Mauricio Gisoldi 11MAY2011

STE TE Connectivity

NAME: -
 PRODUCT SPEC: -
 APPLICATION SPEC: -
 WEIGHT: -

SIZE: A2 CAGE CODE: 00779 DRAWING NO: 444011 RESTRICTED TO: -
 SCALE: 2:1 SHEET: 1 OF 1 REV: B1

CUSTOMER DRAWING

CAD
 NÃO REVISAR
 DO NOT REVISE
 EXCEPT BY CAD