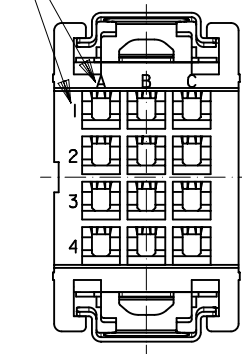
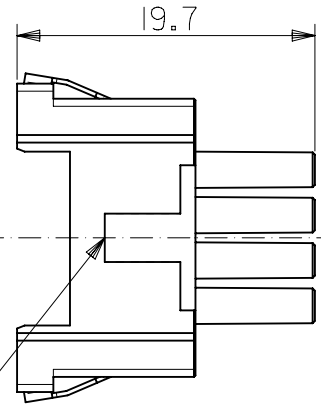


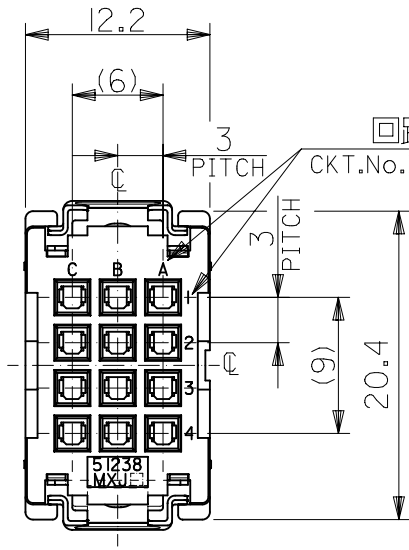
回路番号表示  
CKT.No.IDENTIFICATION



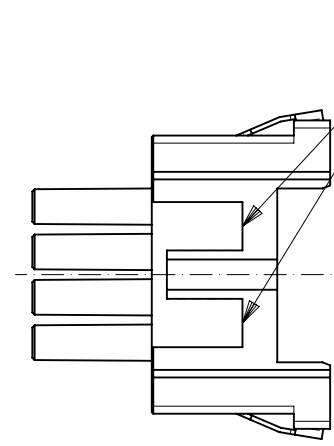
電線挿入側  
WIRE SIDE



シエル挿入方向キー  
POLARIZATIONS KEY FOR SHELL



嵌合側  
MATING SIDE



シエル挿入方向キー  
POLARIZATIONS KEY FOR SHELL

注記  
NOTES

- 材質  
MATERIAL  
①ハウジング：ガラス入りPBT樹脂  
HOUSING : PBT G.F.  
UL94V-0 色：黒  
UL94V-0 COLOR : BLACK  
②スプリング：ステンレス鋼 t0.3  
SPRING : STAINLESS STEEL t0.3
- 適用端子：56120-8\*90 , 56121-8\*90  
APPLICABLE CRIMP PIN : 56120-8\*90 , 56121-8\*90
- 適用リセプタクル シェル：56377-12\*\*  
APPLICABLE RECEPTACLE SHELL : 56377-12\*\*
- 嵌合相手：51234-120\*  
MEET WITH : 51234-120\*

<誤嵌合防止キー（極性）タイプ> <POLARITY KEY TYPE>

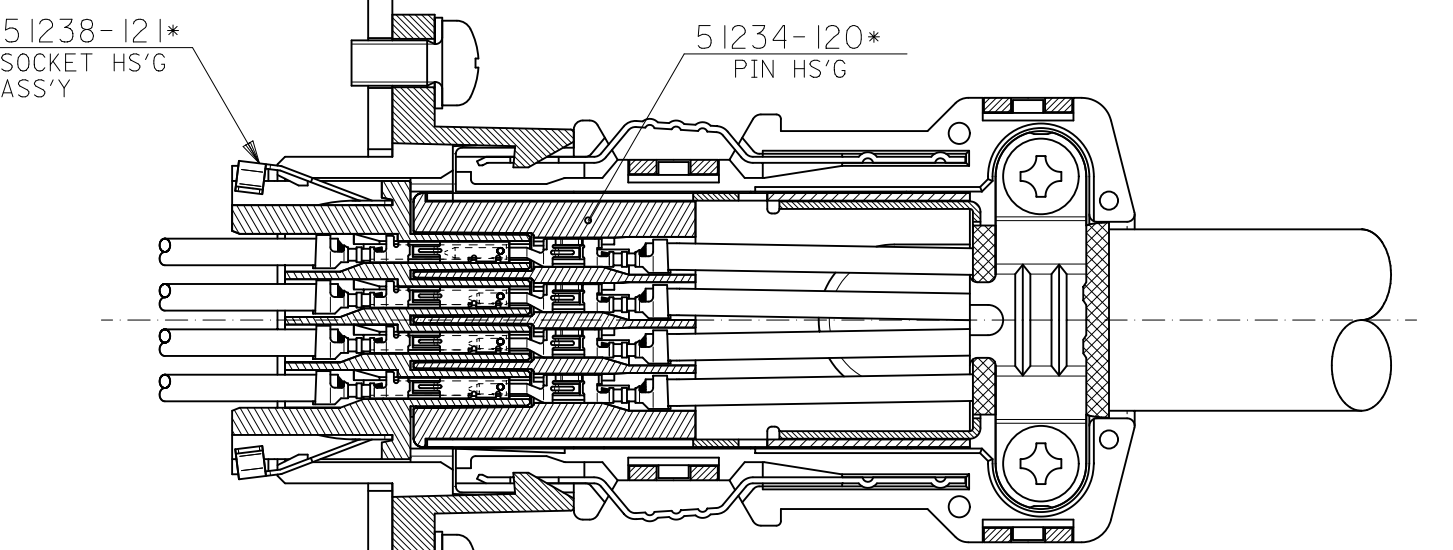
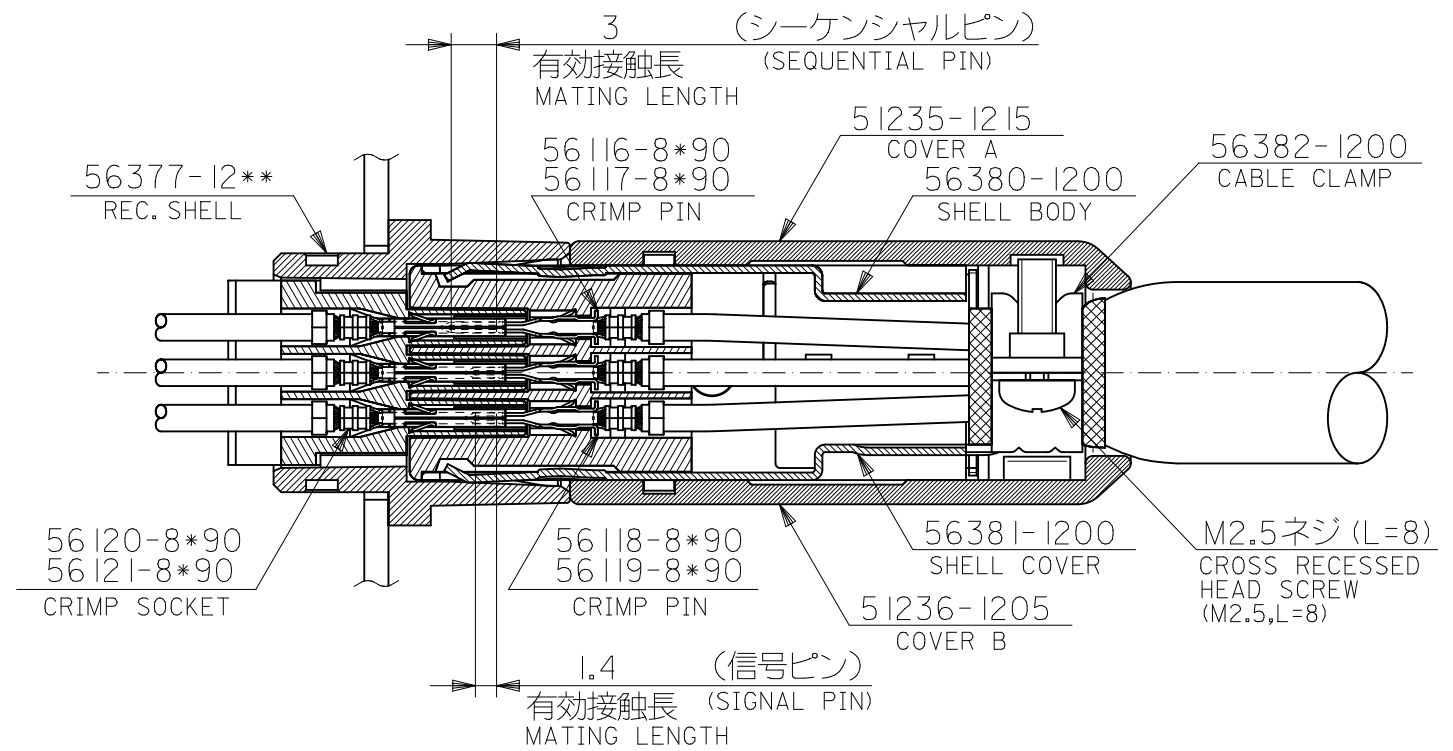
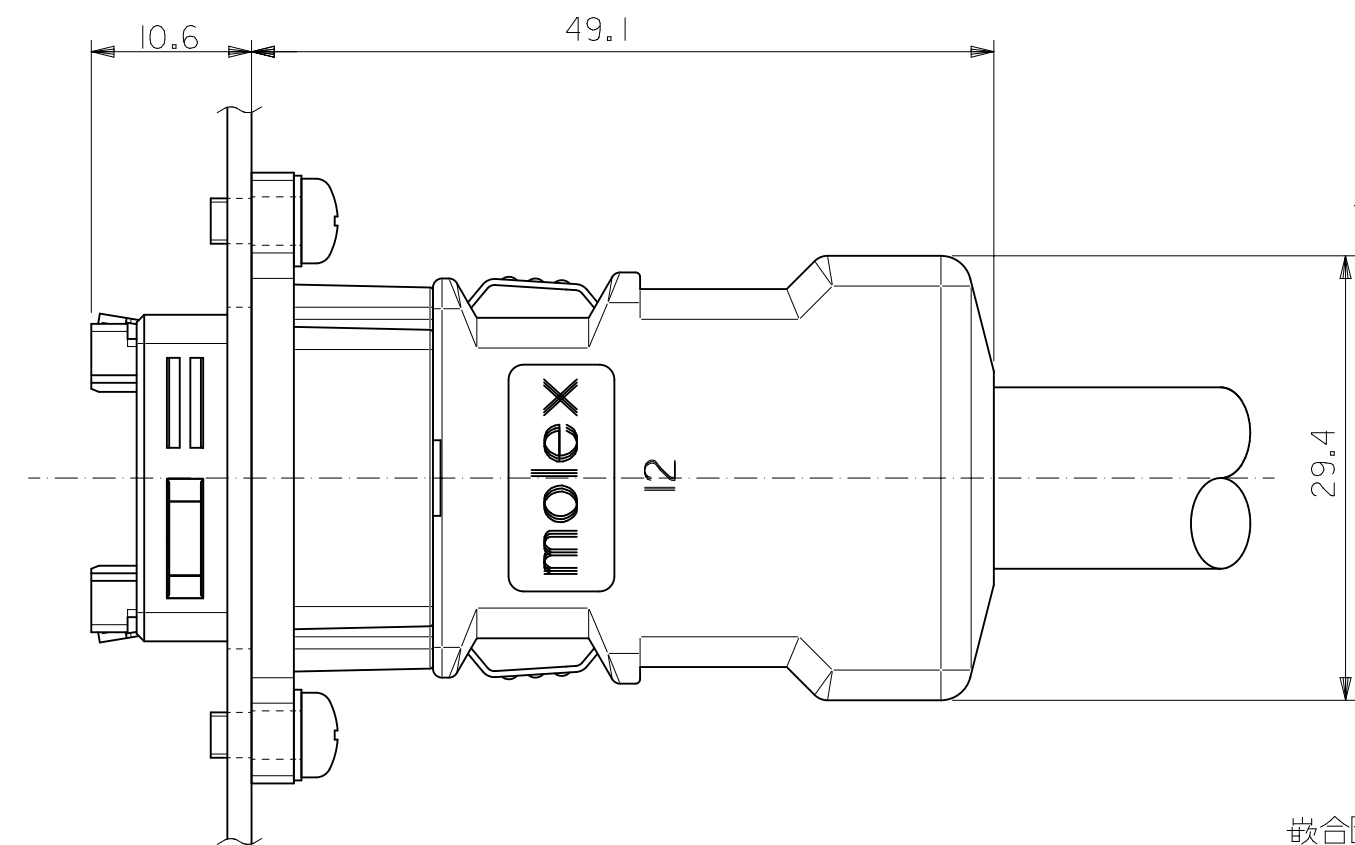
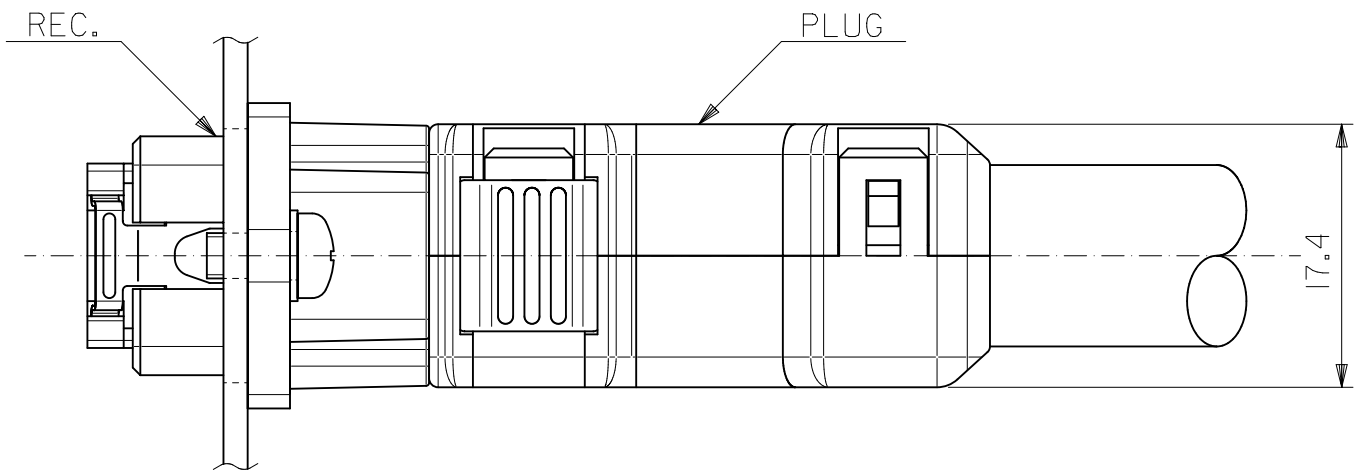
51238-1211	51238-1212	51238-1213
STANDARD TYPE	A TYPE	B TYPE

B-3	B	51238-1213	51238-***1*	12
B-2	A	51238-1212		
—	STANDARD	51238-1211		
POLARITY POSITION (CIRCUIT No.)	POLARITY TYPE	MATERIAL No.	MODEL No.	CIRCUIT

PENDING APPROVAL

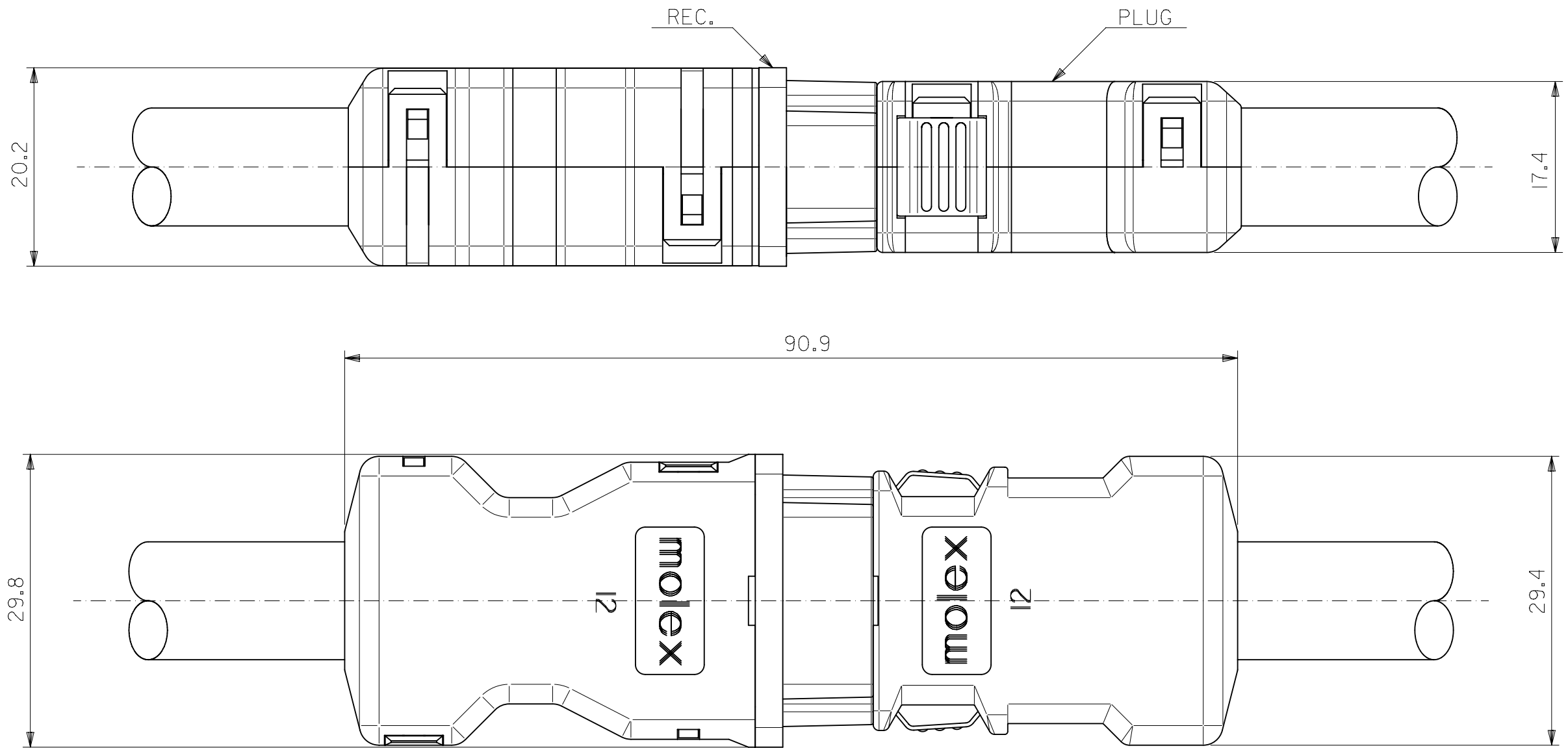
MATERIAL 材料	注記参照 SEE NOTES	GENERAL TOLERANCES: (UNLESS SPECIFIED) 一般公差	THIS DRAWING CONTAINS INFORMATION THAT IS PROPRIETARY TO MOLEX ELECTRONIC TECHNOLOGIES, LLC AND SHOULD NOT BE USED WITHOUT WRITTEN PERMISSION	CURRENT REV DESC: OBSOLETE PART NUMBER.			<b>molex</b>		
FINISH 仕上げ	—	10 UNDER 未満 ±0.2	DIMENSION UNITS	SCALE	COMPACT ROBOT CONN. (CRC) REC. SOCKET HS'G ASS'Y				
WIRE RANGE 適用電線範囲	—	10 OVER 30 UNDER 未満 ±0.25	mm	2:1	EC NO: 650269 DRWN: ABHISP1 CHK'D: APPR:				
INS. RANGE 被覆外径	—	30 OVER 以上 ±0.3	GENERAL TOLERANCES (UNLESS SPECIFIED)		PRODUCT CUSTOMER DRAWING				
		ANGLE 角度 ±3°	4 PLACES ±	MM	DOCUMENT NUMBER				
			3 PLACES ±	INCH	SD-51238-007				
			2 PLACES ±		DOC TYPE DOC PART REVISION				
			1 PLACE ±		PSD 001 B				
			0 PLACES ±		MATERIAL NUMBER CUSTOMER SHEET NUMBER				
			ANGULAR TOL ±		SEE TABLE GENERAL MARKET 1 OF 4				
			DRAFT WHERE APPLICABLE MUST REMAIN WITHIN DIMENSIONS	THIRD ANGLE PROJECTION	DRAWING	SERIES			
					B-SIZE	51238			

DOCUMENT STATUS	RQ	RELEASE DATE
-----------------	----	--------------



嵌合図  
CROSS-SECTION VIEW OF MATED CONNECTOR

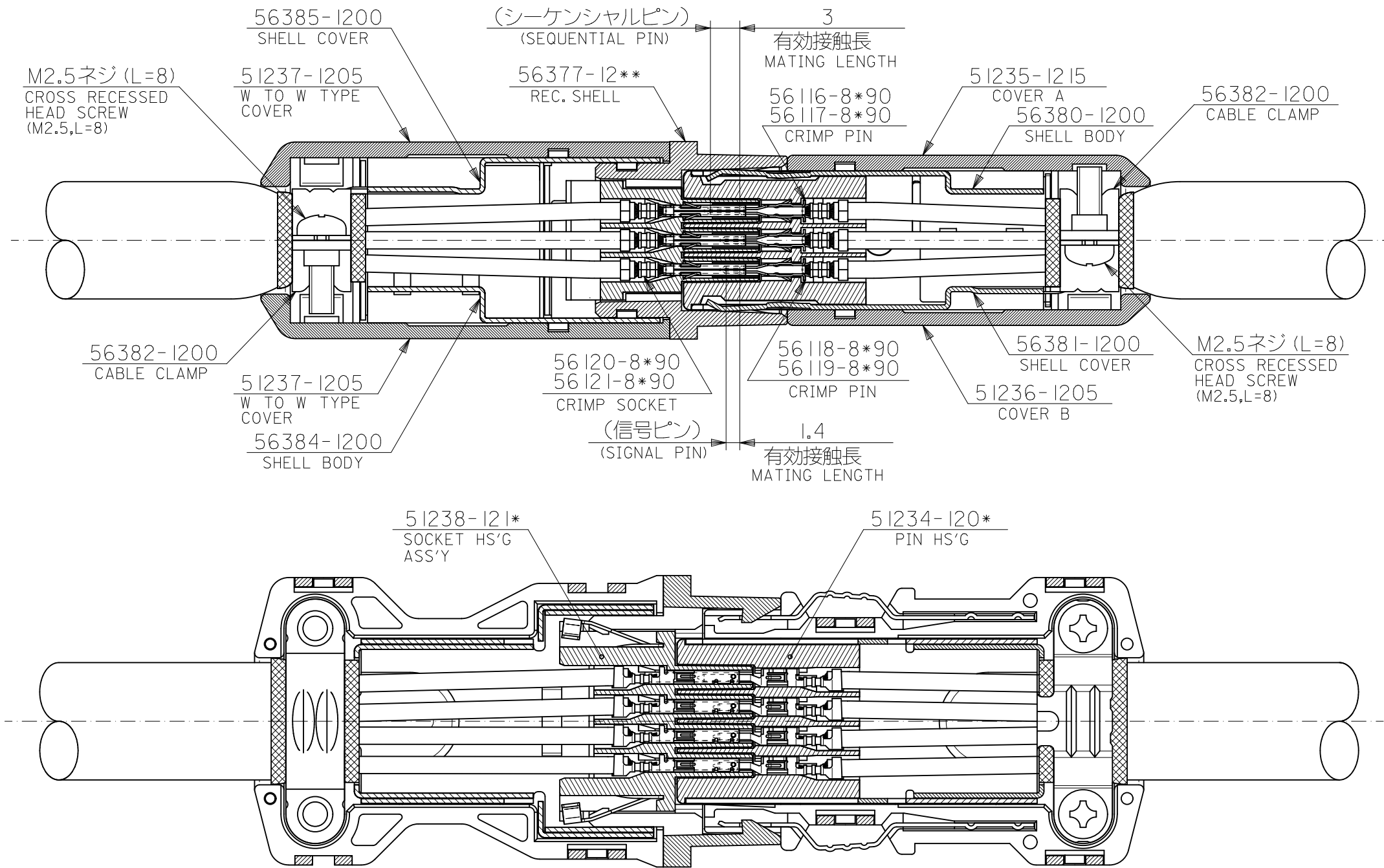
MATERIAL 材料	注記参照 SEE NOTES	GENERAL TOLERANCES: (UNLESS SPECIFIED) 一般公差	10 UNDER 未満	±0.2	THIS DRAWING CONTAINS INFORMATION THAT IS PROPRIETARY TO MOLEX ELECTRONIC TECHNOLOGIES, LLC AND SHOULD NOT BE USED WITHOUT WRITTEN PERMISSION. CURRENT REV DESC: OBSOLETE PART NUMBER.							
	FINISH 仕上げ	—#—	10 OVER 30 UNDER 以上 未満	±0.25			EC NO: 650269 DRWN: ABHISP1 CHK'D: APPR: INITIAL REVISION: DRWN: S.AKIYAMA APPR: H.IKESUGI	COMPACT ROBOT CONN. (CRC) REC. SOCKET HS'G ASS'Y				
	WIRE RANGE 適用電線範囲	—#—	30 OVER 以上	±0.3					2020/10/22 2001/01/25	PRODUCT CUSTOMER DRAWING DOCUMENT NUMBER <b>SD-51238-007</b>		
	INS. RANGE 被覆外径	—#—	ANGLE 角度	±3°							DOC TYPE <b>PSD</b>	DOC PART <b>001</b>
	DOCUMENT STATUS	RQ	RELEASE DATE									



嵌合図 (中継タイプ)  
 CROSS-SECTION VIEW OF MATED CONNECTOR  
 (WIRE TO WIRE TYPE)

PENDING APPROVAL

MATERIAL 材料		注記参照 SEE NOTES		GENERAL TOLERANCES: (UNLESS SPECIFIED) 一般公差		THIS DRAWING CONTAINS INFORMATION THAT IS PROPRIETARY TO MOLEX ELECTRONIC TECHNOLOGIES, LLC AND SHOULD NOT BE USED WITHOUT WRITTEN PERMISSION		CURRENT REV DESC: OBSOLETE PART NUMBER.			
FINISH 仕上げ		—#—		10 UNDER 未満	±0.2	DIMENSION UNITS: mm SCALE: 2:1 GENERAL TOLERANCES (UNLESS SPECIFIED): 4 PLACES ± 3 PLACES ± 2 PLACES ± 1 PLACE ± 0 PLACES ± ANGULAR TOL ± °		EC NO: 650269 DRWN: ABHISP1 CHK'D: APPR: 2020/10/22			
WIRE RANGE 適用電線範囲		—#—		10 OVER 30 UNDER 以上 未満	±0.25	DRAFT WHERE APPLICABLE MUST REMAIN WITHIN DIMENSIONS		THIRD ANGLE PROJECTION 		PRODUCT CUSTOMER DRAWING	
INS. RANGE 被覆外径		—#—		30 OVER 以上	±0.3	DRAWING: B-SIZE SERIES: 51238		MATERIAL NUMBER: SEE TABLE CUSTOMER: GENERAL MARKET		DOCUMENT NUMBER: SD-51238-007 DOC TYPE: PSD DOC PART: 001 REVISION: B	
				ANGLE 角度	±3°	SHEET NUMBER: 3 OF 4					



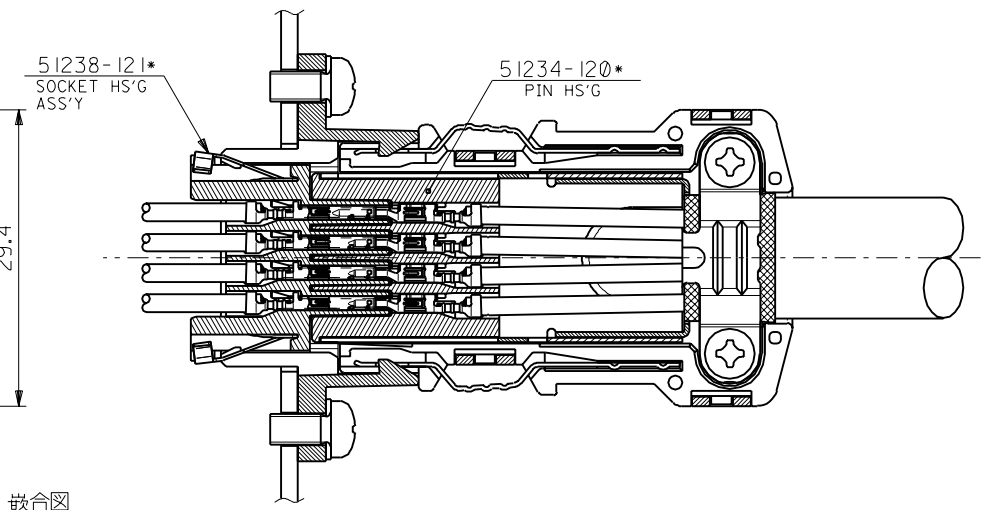
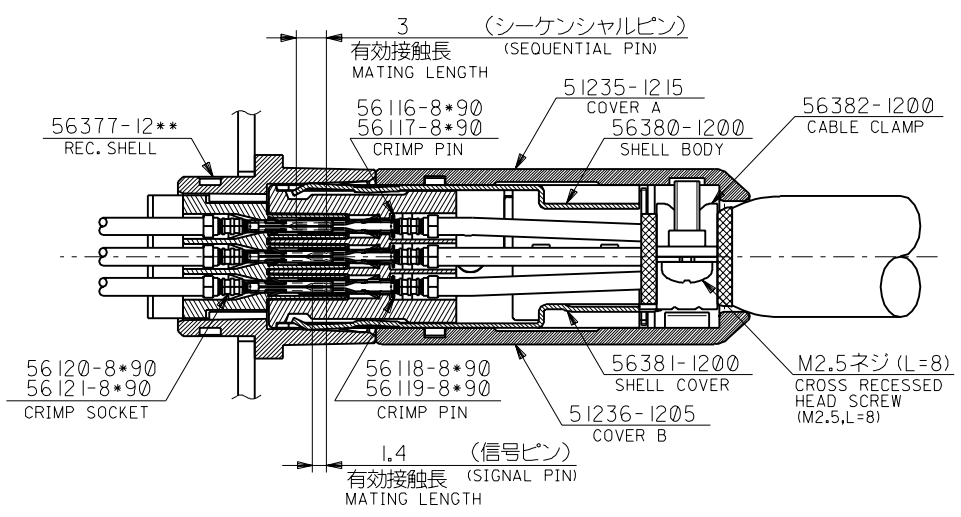
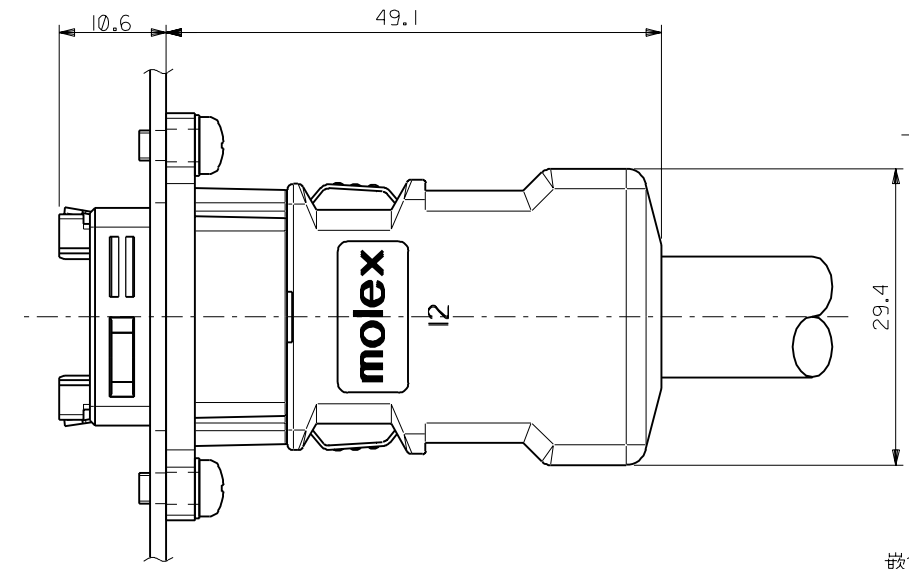
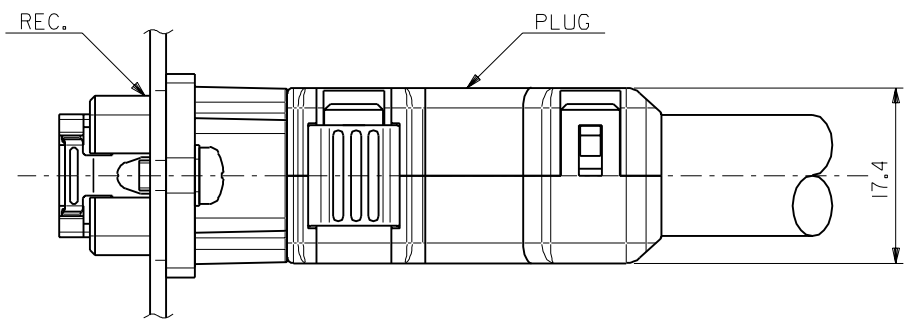
嵌合図 (中継タイプ)  
CROSS-SECTION VIEW OF MATED CONNECTOR  
(WIRE TO WIRE TYPE)

PENDING APPROVAL

MATERIAL 材料	注記参照 SEE NOTES	GENERAL TOLERANCES: (UNLESS SPECIFIED) 一般公差	THIS DRAWING CONTAINS INFORMATION THAT IS PROPRIETARY TO MOLEX ELECTRONIC TECHNOLOGIES, LLC AND SHOULD NOT BE USED WITHOUT WRITTEN PERMISSION																		
FINISH 仕上げ	—#—	10 UNDER 未満 ±0.2	<table border="1"> <tr> <th>DIMENSION UNITS</th> <th>SCALE</th> </tr> <tr> <td>mm</td> <td>2:1</td> </tr> <tr> <td colspan="2">GENERAL TOLERANCES (UNLESS SPECIFIED)</td> </tr> <tr> <td>4 PLACES</td> <td>±</td> </tr> <tr> <td>3 PLACES</td> <td>±</td> </tr> <tr> <td>2 PLACES</td> <td>±</td> </tr> <tr> <td>1 PLACE</td> <td>±</td> </tr> <tr> <td>0 PLACES</td> <td>±</td> </tr> <tr> <td>ANGULAR TOL</td> <td>± °</td> </tr> </table>	DIMENSION UNITS	SCALE	mm	2:1	GENERAL TOLERANCES (UNLESS SPECIFIED)		4 PLACES	±	3 PLACES	±	2 PLACES	±	1 PLACE	±	0 PLACES	±	ANGULAR TOL	± °
DIMENSION UNITS	SCALE																				
mm	2:1																				
GENERAL TOLERANCES (UNLESS SPECIFIED)																					
4 PLACES	±																				
3 PLACES	±																				
2 PLACES	±																				
1 PLACE	±																				
0 PLACES	±																				
ANGULAR TOL	± °																				
WIRE RANGE 適用電線範囲	—#—	10 OVER 30 UNDER 以上 未満 ±0.25	<table border="1"> <tr> <th>MM</th> <th>INCH</th> </tr> <tr> <td>±</td> <td>±</td> </tr> <tr> <td>±</td> <td>±</td> </tr> <tr> <td>±</td> <td>±</td> </tr> <tr> <td>±</td> <td>±</td> </tr> <tr> <td>±</td> <td>±</td> </tr> </table>	MM	INCH	±	±	±	±	±	±	±	±	±	±						
MM	INCH																				
±	±																				
±	±																				
±	±																				
±	±																				
±	±																				
INS. RANGE 被覆外径	—#—	30 OVER 以上 ±0.3	<table border="1"> <tr> <td>DRIFT WHERE APPLICABLE MUST REMAIN WITHIN DIMENSIONS</td> <td>THIRD ANGLE PROJECTION</td> <td>DRAWING</td> <td>SERIES</td> <td>MATERIAL NUMBER</td> <td>CUSTOMER</td> <td>SHEET NUMBER</td> </tr> <tr> <td></td> <td></td> <td>B-SIZE</td> <td>51238</td> <td>SEE TABLE</td> <td>GENERAL MARKET</td> <td>4 OF 4</td> </tr> </table>	DRIFT WHERE APPLICABLE MUST REMAIN WITHIN DIMENSIONS	THIRD ANGLE PROJECTION	DRAWING	SERIES	MATERIAL NUMBER	CUSTOMER	SHEET NUMBER			B-SIZE	51238	SEE TABLE	GENERAL MARKET	4 OF 4				
DRIFT WHERE APPLICABLE MUST REMAIN WITHIN DIMENSIONS	THIRD ANGLE PROJECTION	DRAWING		SERIES	MATERIAL NUMBER	CUSTOMER	SHEET NUMBER														
		B-SIZE	51238	SEE TABLE	GENERAL MARKET	4 OF 4															
ANGLE 角度	—#—	± 3°	<table border="1"> <tr> <td>EC NO: 650269</td> <td>2020/10/22</td> </tr> <tr> <td>DRWN: ABHISP1</td> <td></td> </tr> <tr> <td>CHK'D:</td> <td></td> </tr> <tr> <td>APPR:</td> <td></td> </tr> <tr> <td>INITIAL REVISION:</td> <td>2001/01/25</td> </tr> <tr> <td>DRWN: S.AKIYAMA</td> <td></td> </tr> <tr> <td>APPR: H.IKESUGI</td> <td></td> </tr> </table>	EC NO: 650269	2020/10/22	DRWN: ABHISP1		CHK'D:		APPR:		INITIAL REVISION:	2001/01/25	DRWN: S.AKIYAMA		APPR: H.IKESUGI					
EC NO: 650269	2020/10/22																				
DRWN: ABHISP1																					
CHK'D:																					
APPR:																					
INITIAL REVISION:	2001/01/25																				
DRWN: S.AKIYAMA																					
APPR: H.IKESUGI																					

DOCUMENT STATUS	RQ	RELEASE DATE
-----------------	----	--------------

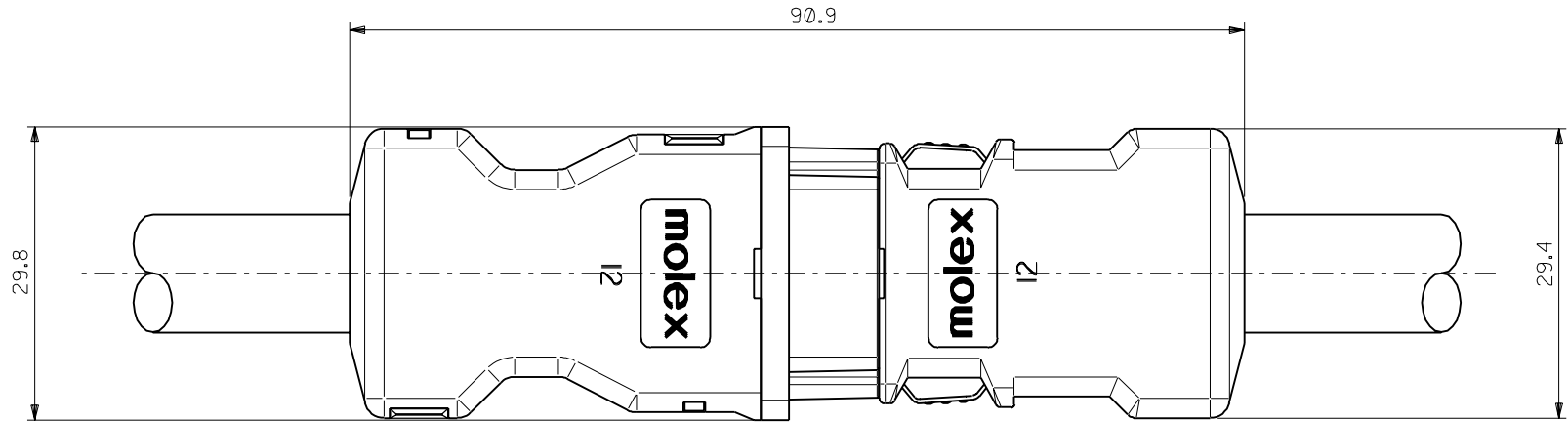
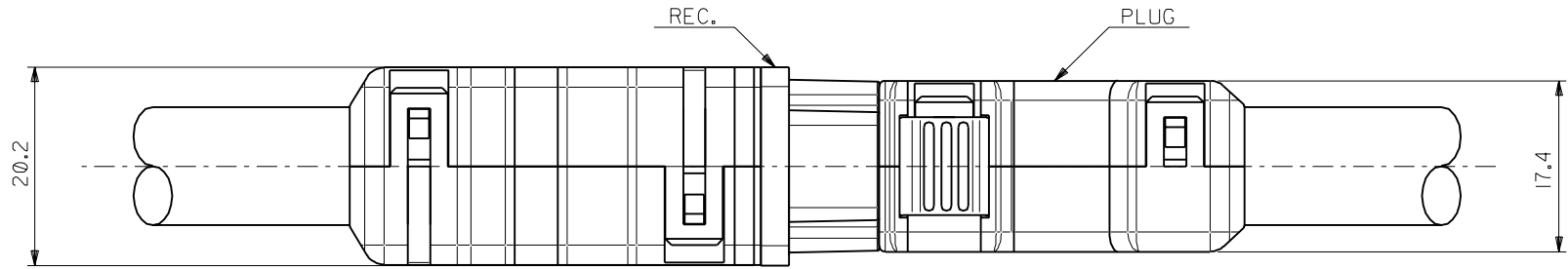
DWG. NO. SD-51238-007



嵌合図  
CROSS-SECTION VIEW OF MATED CONNECTOR

DO NOT SCALE DRAWING

EC NO. DRWN: CHK: APPR:	EC NO. DRWN: CHK: APPR:	EC NO. DRWN: CHK: APPR:	REVISED 01/10/04	MATERIAL 材料	GENERAL TOLERANCES: (UNLESS SPECIFIED) 一般公差	SCALE 2-1	DESIGN UNITS mm □ INCH	THIRD ANGLE PROJECTION	DIMENSIONS: mm □ INCH mm □ INCH	SHT REVISE ON CAD ONLY	REV
			EC NO. J2002-0786 DRWN: S.AKIYAMA CHK: J.MIYAZAWA APPR: YO.IITO								
A	Ø	Ø	RELEASED 01/02/16	FINISH 仕上げ	10 OVER 以上	30 UNDER 未満	±0.25	CHECKED BY & DATE <i>J. Masawa</i> / 2/06	MATERIAL NO. SEE CHART	DRAWING NO. SD-51238-007	SHEET NO. 2 OF 4
			EC NO. JD2001-1040 DRWN: S.AKIYAMA CHK: J.MIYAZAWA APPR: H.IKESUGI								
REV	INS. RANGE 被覆外径	ANGLE 角度	±3°	CAD FILE NAME 51238007.S01	THIS DRAWING CONTAINS INFORMATION THAT IS PROPRIETARY TO MOLEX INCORPORATED AND SHOULD NOT BE USED WITHOUT WRITTEN PERMISSION.			SIZE B			

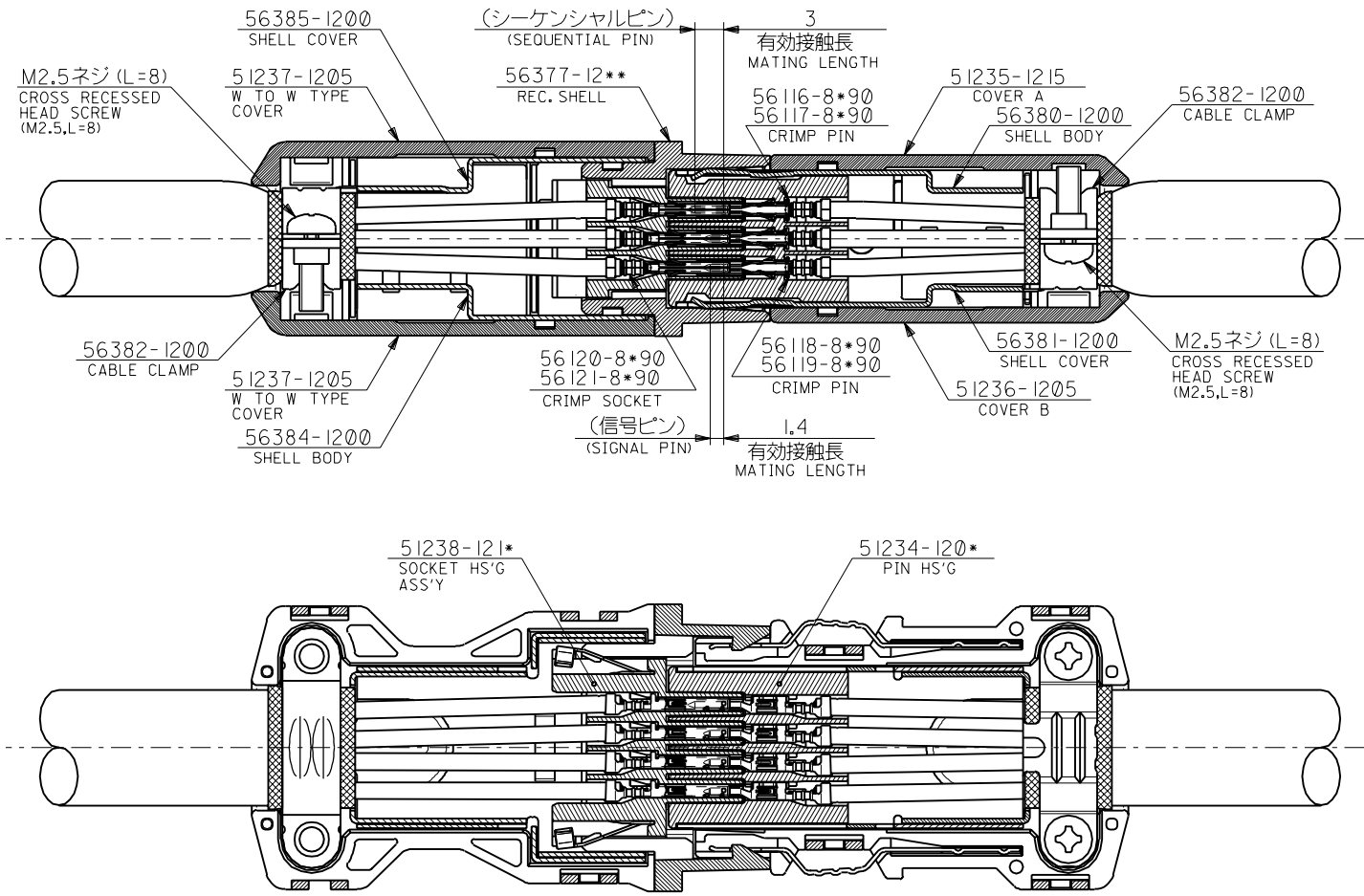


嵌合図 (中継タイプ)  
CROSS-SECTION VIEW OF MATED CONNECTOR  
(WIRE TO WIRE TYPE)

DO NOT SCALE DRAWING

EC NO. DRWN: CHK: APPR:	EC NO. DRWN: CHK: APPR:	EC NO. DRWN: CHK: APPR:	REVISED 01/10/04	MATERIAL 材料	GENERAL TOLERANCES: (UNLESS SPECIFIED) 一般公差	SCALE	DESIGN UNITS	THIRD ANGLE PROJECTION	DIMENSIONS:		SHT	REV
			EC NO. J2002-0786			注記参照 SEE NOTES	2-1		mm <input checked="" type="checkbox"/> INCH <input type="checkbox"/>	<input type="checkbox"/> mm <input type="checkbox"/> INCH	<input type="checkbox"/> mm <input type="checkbox"/> INCH	<input checked="" type="checkbox"/> mm ONLY
A	0	A	DRWN: S.AKIYAMA	FINISH 仕上げ	10 UNDER	CHECKED BY & DATE	APPROVED BY & DATE	TITLE: COMPACT ROBOT CONN. (CRC) REC. SOCKET HS'G ASS'Y				
			CHK: J.MIYAZAWA		#							
A	0	A	RELEASED 01/02/16	WIRE RANGE 適用配線範囲	30 OVER	MATERIAL NO.	DRAWING NO.	MOLEX INCORPORATED				
			DRWN: S.AKIYAMA		#							
			INS. RANGE 被覆外径	#	3*	THIS DRAWING CONTAINS INFORMATION THAT IS PROPRIETARY TO MOLEX INCORPORATED AND SHOULD NOT BE USED WITHOUT WRITTEN PERMISSION.					SIZE B	

DWG. NO. SD-51238-007



嵌合図 (中継タイプ)  
CROSS-SECTION VIEW OF MATED CONNECTOR  
(WIRE TO WIRE TYPE)

DO NOT SCALE DRAWING

EC NO. DRWN: CH'K: APPR:		EC NO. DRWN: CH'K: APPR:		EC NO. DRWN: CH'K: APPR:		REVISED 01/10/04 EC NO. J2002-0786 DRWN: S.AKIYAMA CH'K: J.MIYAZAWA APPR: Y.O.ITO		A		0		MATERIAL 材料		注記参照 SEE NOTES		GENERAL TOLERANCES: (UNLESS SPECIFIED) 一般公差		SCALE 2-1		DESIGN UNITS <input checked="" type="checkbox"/> mm <input type="checkbox"/> INCH		THIRD ANGLE PROJECTION		DIMENSIONS: <input type="checkbox"/> mm <input type="checkbox"/> INCH <input checked="" type="checkbox"/> mm ONLY		SHT		REV					
EC NO. DRWN: CH'K: APPR:		EC NO. DRWN: CH'K: APPR:		EC NO. DRWN: CH'K: APPR:		RELEASED 01/02/16 EC NO. JD2001-1040 DRWN: S.AKIYAMA CH'K: J.MIYAZAWA APPR: H.IKESUGI		0		DESCRIPTION		FINISH 仕上げ		WIRE RANGE 適用電線範囲		INS. RANGE 被覆外径		10 UNDER 未満		±0.2		DRAWN BY & DATE S. Akiyama 01/01/25		TITLE:		COMPACT ROBOT CONN. (CRC) REC. SOCKET HS'G ASS'Y		MATERIAL NO.		DRAWING NO.		SHEET NO.	
EC NO. DRWN: CH'K: APPR:		EC NO. DRWN: CH'K: APPR:		EC NO. DRWN: CH'K: APPR:		A		0		—		—		—		10 OVER 以上		±0.25		CHECKED BY & DATE J. Mizawa / Y. Oe		APPROVED BY & DATE S. Akiyama		MOLEX INCORPORATED		SEE CHART		SD-51238-007		4 OF 4			
EC NO. DRWN: CH'K: APPR:		EC NO. DRWN: CH'K: APPR:		EC NO. DRWN: CH'K: APPR:		A		0		—		—		30 OVER 以上		±0.3		ANGLE 角度		±3°		CAD FILE NAME 51238007.S04		MATERIAL NO. SEE CHART		DRAWING NO. SD-51238-007		SHEET NO. 4 OF 4		SIZE B			
THIS DRAWING CONTAINS INFORMATION THAT IS PROPRIETARY TO MOLEX INCORPORATED AND SHOULD NOT BE USED WITHOUT WRITTEN PERMISSION.																																	

51238007.S04