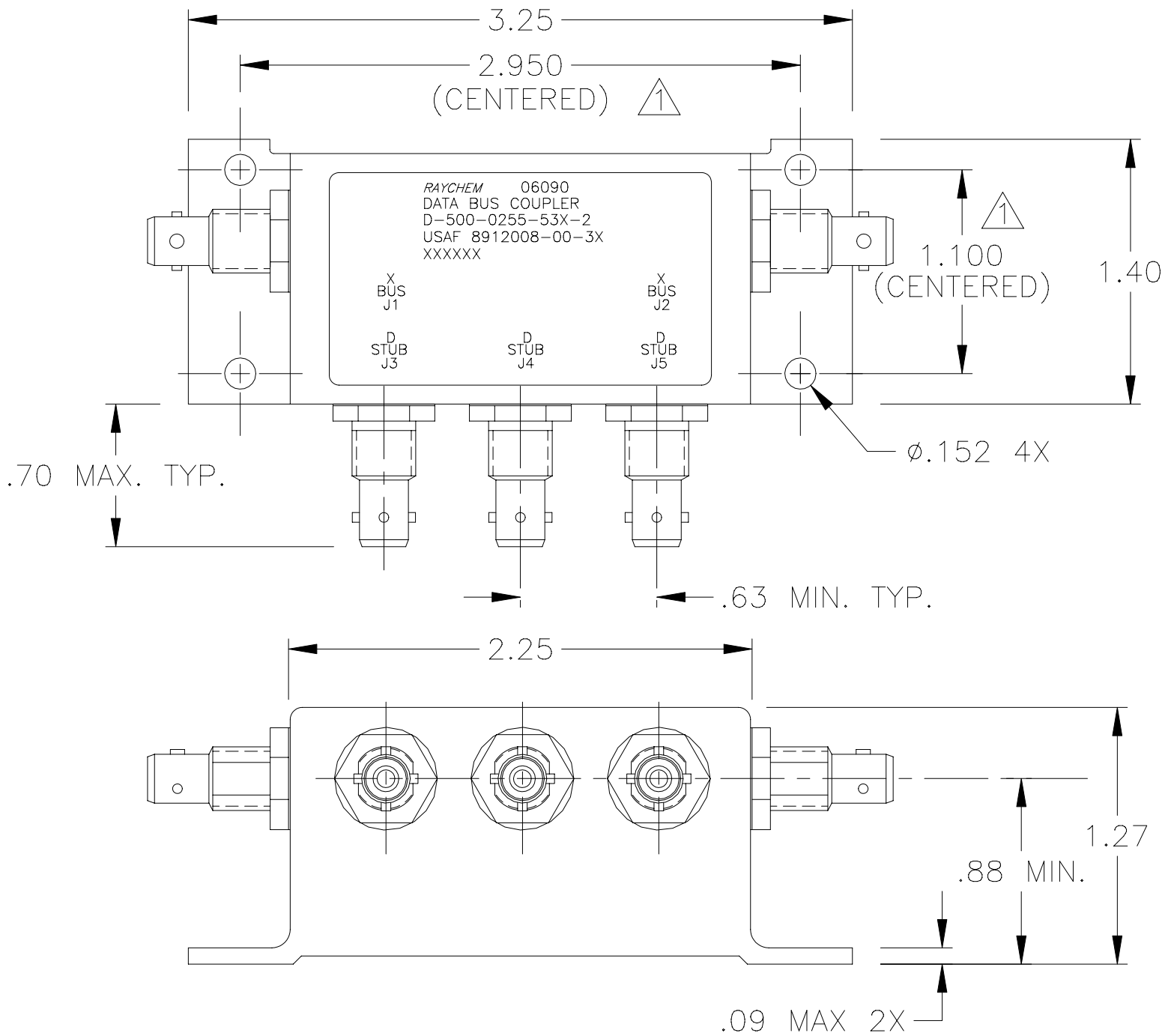


REVISIONS			
LTR	DESCRIPTION	DATE	APPROVED
A	REVISED PER ECN T-20025	95APR20	Z.E.T.
B	REVISED PER ECN T-21779	10/20/97	Z.E.T.

① HOLE PATTERN MACHINED SYMMETRIC TO MOUNTING FLANGE.



SPECIFICATION CONTROL DRAWING

If this document is printed it becomes uncontrolled.
Check for the latest revision.

UNLESS OTHERWISE SPECIFIED
DIMENSIONS ARE IN INCHES.
METRIC DIMENSIONS ARE
IN BRACKETS.

DECIMALS
.XXX ± .010 [— mm]
.XX ± .03 [— mm]

ANGLES
.X ± —

WEIGHT
120 GRAMS MAX.

DRAWN	J.B.K.	91MAY22
CHECKED	Z.E.T.	91JUN10
APPROVED		
APPROVED		
CAD NAME	T21779a	
THIRD ANGLE PROJECTION		

		Tyco Electronics Corporation 300 Constitution Drive Menlo Park, CA. 94025 U.S.A.			
TITLE					
3 STUB DATA BUS BAYONET COUPLER WITH TRIAXIAL CONNECTORS					
SIZE	CODE IDENT. NO.	DWG. NO.	REV		
A	06090	D-500-0255-53X-2	B		
DO NOT SCALE THIS DRAWING			SHEET 1 OF 2		

1.0 INTERMATEABILITY

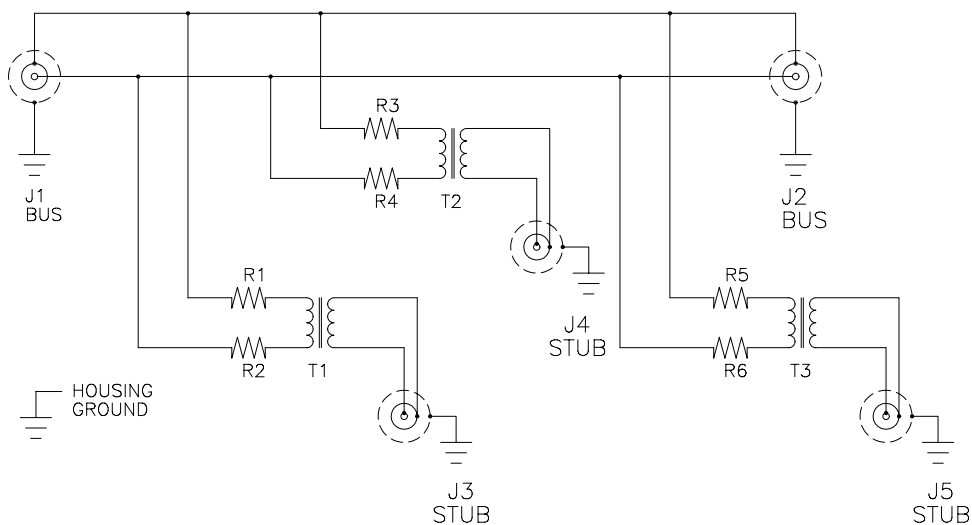
CONNECTOR BOX JACK	MATING PLUG
DK-621-0434-1S (8912004-00-05)	DK-621-0433-1P (8912003-00-01)
DK-621-0436-2S (8912004-00-06)	DK-621-0435-2P (8912003-00-02)
DK-621-0438-3S (8912004-00-07)	DK-621-0437-3P (8912003-00-03)
DK-621-0440-4P (8912004-00-04)	DK-621-0439-4S (8912003-00-08)

2.0 PERFORMANCE

- 2.1 THIS COUPLER IS DESIGNED TO MEET THE APPLICABLE FUNCTIONAL REQUIREMENT OF RAYCHEM SPECIFICATION D-6021 AND USAF 8912008.
- 2.2 THE COUPLER SHALL OPERATE UNDER ANY OF THE ENVIRONMENTAL SERVICE CONDITIONS AS SPECIFIED IN MIL-E-5400, CLASS ∇ UPGRADED TO 125°C CONTINUOUS OPERATION.
- 2.3 ALTITUDE: SEA LEVEL TO 75,000 FEET
- 3.0

D-500-0255	BUS JACKS J1 AND J2	STUB JACKS J3 THRU J5
-533-2 (8912008-00-31)	DK-621-0434-1S "A" (8912004-00-05)	DK-621-0440-4P "D" (8912004-00-04)
-535-2 (8912008-00-32)	DK-621-0436-2S "B" (8912004-00-06)	DK-621-0440-4P "D" (8912004-00-04)
-537-2 (8912008-00-33)	DK-621-0438-3S "C" (8912004-00-07)	DK-621-0440-4P "D" (8912004-00-04)

SCHEMATIC DIAGRAM



If this document is printed it becomes uncontrolled.
Check for the latest revision.

CAD NAME: T21779b	DRAWN		SIZE	CODE IDENT. NO.	DWG. NO.	REV.
	ISSUED		A	06090	D-500-0255-53X-2	B
DO NOT SCALE THIS DRAWING					SHEET 2 OF 2	