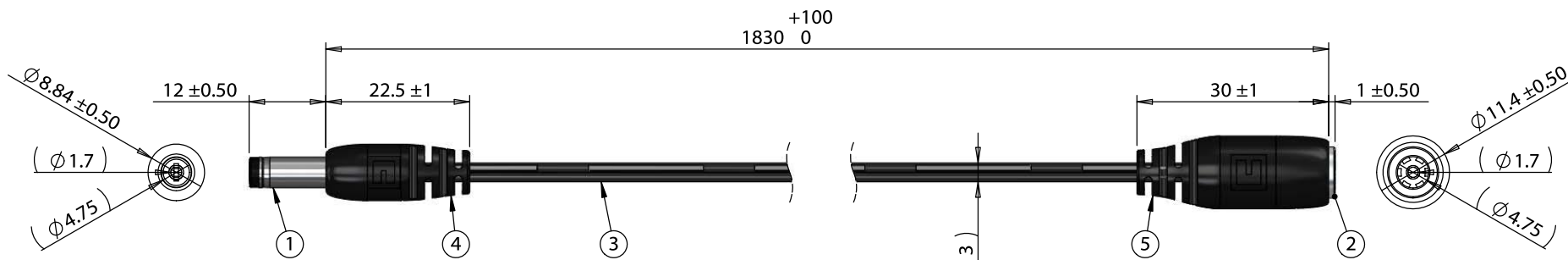


ITEM NO.	PART NUMBER	DESCRIPTION	QTY.	COMPONENT NOTES
1	50-00028	Connector, dc plug, 4.75x1.7xL20 mm, EIAJ-3, molding style, spring contacts	1	
2	50-00333	Connector, dc jack, 4.75x1.7xL17.5 mm, molding style	1	
3	30-00404	Wire, 2C TS, 24 AWG, UL2468, 300V, 80C, 3.0 mm, VW-1, PVC, 87A	1	
4	24-00001	Overmold, PVC	1	black
5	24-00004	Overmold, PVC	1	black



Notes:
Functionally equivalent components may be substituted

Wiring Diagram		
50-00028	wire color	50-00333
center	black with stripe	center
sleeve	black	sleeve

Revision:	Date:	Description:	Prepared:	Notes:	<h1>TENSILITY</h1> <p>tel 1.541.323.3228 800 877.670.7118 fax 1.541.323.4202 web tensility.com</p>
A	01/19/2018	Initial release	GL <small>Digitally signed by GL Date: 2018.01.19 10:54:08 -0800</small>		
			Verified:	Function test: no open, no short circuit, no intermittent	
			AW <small>Digitally signed by AW Date: 2018.02.14 08:31:36 -0800</small>	Description:	Size: Part number:
			Dimensions are in millimeters. Tolerances: X: ± 0.5 mm X.X: ± 0.3 mm X.XX: ± 0.05 mm	Cable, 1830 mm, 4.75x1.7x12 mm 50-00028 dc plug to 4.75x1.7 mm 50-00333 dc jack, 24 AWG, UL2468	A 10-02522
					Scale: 1:1 Sheet 1 of 1

5

4

3

2

1