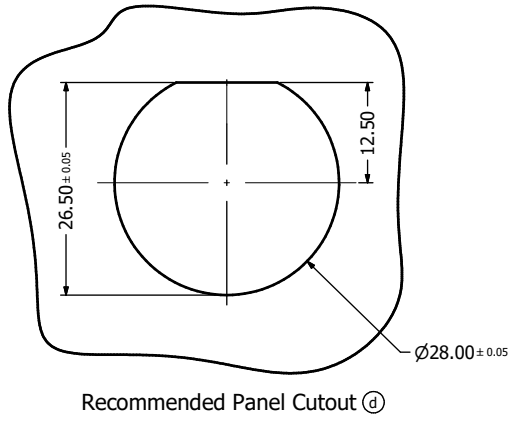


USB 2.0 Type A
Female/Female
Adaptor

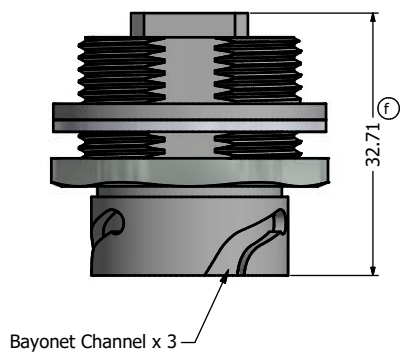
Receptacle Housing
Bayonet Locking Type
(Metallized Plastic)

Panel Gasket

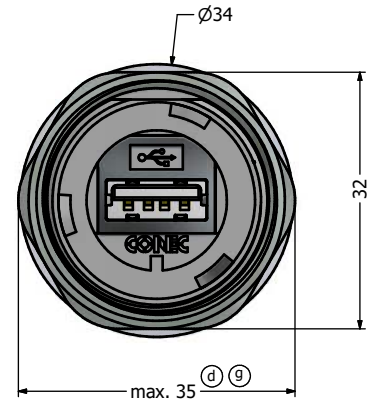
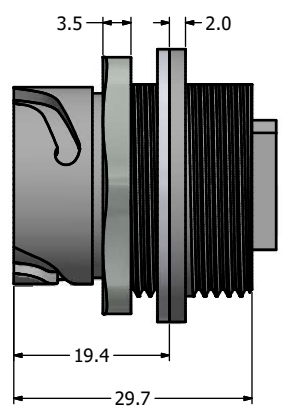
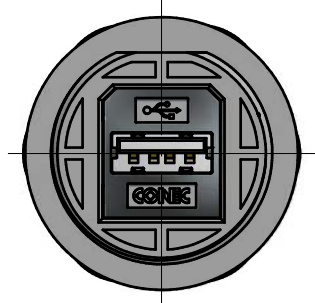
Panel Nut
(M28 x 1.5)



Recommended Panel Cutout (d)



Bayonet Channel x 3



Pin-Assignment

Type A F	Type A F
Pin1 -----	Pin1
Pin2 -----	Pin2
Pin3 -----	Pin3
Pin4 -----	Pin4
Shell -----	Shell

RoHS compliant

THIS DRAWING MAY NOT BE COPIED OR REPRODUCED IN ANY MANNER OR ON TO A THIRD PARTY WITHOUT WRITTEN PERMISSION. OWNERSHIP AND COPYRIGHT OF CONEC CORPORATION.	Customer:				Tolerance Unless otherwise specified			Scale:	Dim. in mm
	Name		Title	Approval Date	0 PLC ±0.50	1 PLC ±0.38		Material: See Notes	
	1 x g	Ä21-0426	09.11.2021	Bub	2008	Date	Name	Title: IP67 USB	
	f	1 x f	May/15/2013	Vincent Ke	Draw.	Sept. 09	Vincent Ke	Receptacle Assembly Kit	
	e	1 x e	Nov/03/2011	Vincent Ke	Appd.	Sept. 09	J. Chaudry	with USB 2.0 Type A F/ F Adaptor	
	d	1 x d	Mar/08/2011	Vincent Ke	Norm.			Drawing No.: 39K1A361	
	c	2 x c	Mar/18/2010	Vincent Ke	D-old			Part No.: 17-200011	
b	1 x b	Jun/01/2009	Vincent ke				DIN A3		
a	original						Sheet 1/1		
Rev.	Changes	Date	Name						