

PRODUCT NUMBER
98400-YXXXLF

RoHS COMPATIBLE, SEE NOTE 6

PACKAGING TYPE, NOTE 3

PLATING

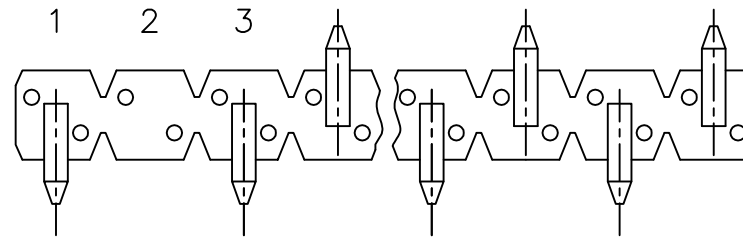
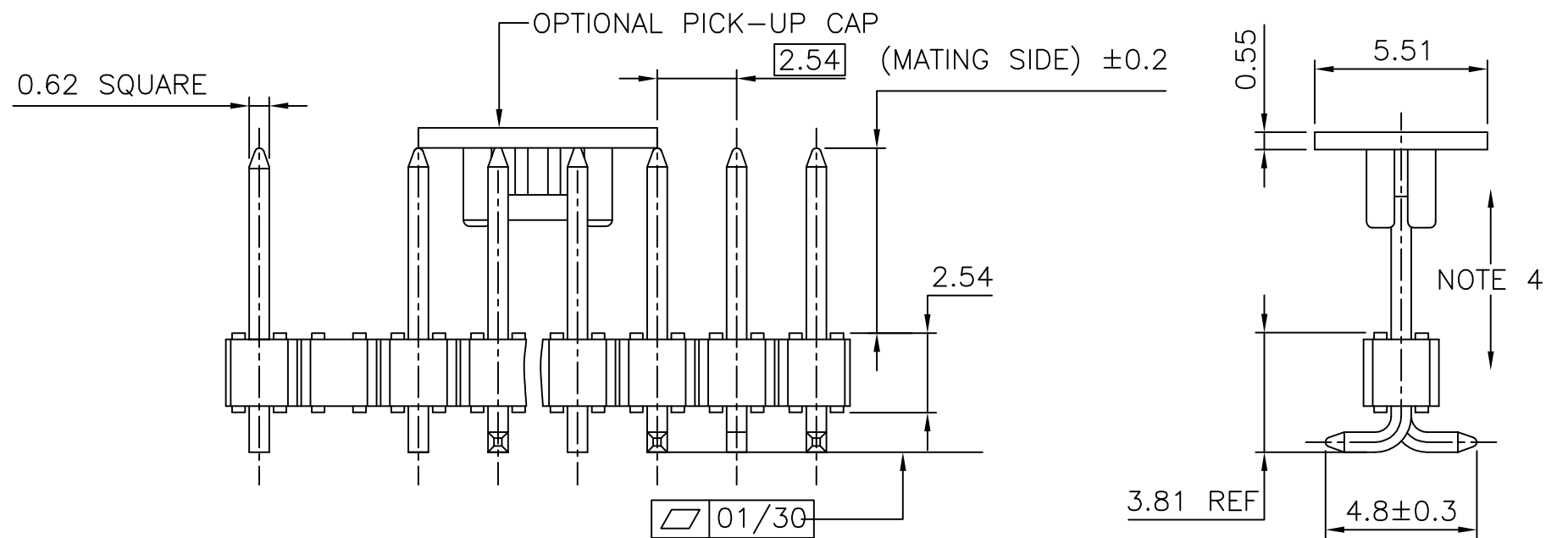
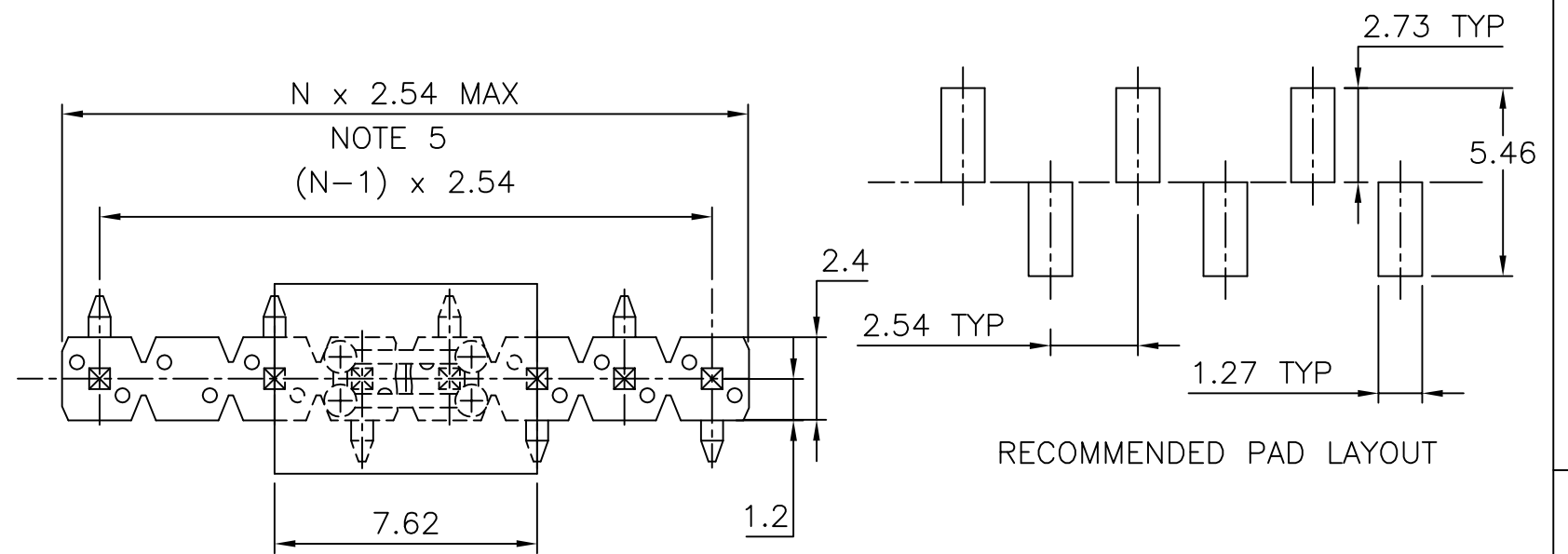
1= 0.76µm GOLD/GXT ON CONTACT
AREA, 2µm TIN MIN ON TAILS

STYLE	SIZE	MATING	OMIT PIN
01	1x08	5.9	2
02	1x08	5.9	5

1.27µm NICKEL MIN UNDERLAYER FOR
ALL PLATING VERSIONS

NOTES:

- 1 - HOUSING MAT'L : HIGH TEMPERATURE THERMOPLASTIC. UL94V-0 COLOR: BLACK
- 2 - PIN MATERIAL : PHOSPHOR BRONZE
- 3 - PACKAGING
= POLY BAGS
A = TAPE & REEL + CAP, AS AVAILABLE
- 4 - 9N MIN RETENTION IN EITHER DIRECTION
- 5 - TO DETERMINE DIMENSIONS :
N = NUMBER OF POSITIONS
EXAMPLE : 8 POS N x 2.54 = 20.32mm
6. RoHS COMPATIBLE PRODUCT SPECIFICATIONS
 - a - PLATING:
- "LF" MEANS THE PRODUCT IS LEAD-FREE,
2µm MINIMUM MATTE TIN OVER 1.27µm
MINIMUM NICKEL UNDERPLATE.
 - b - MANUFACTURING PROCESS COMPATIBILITY
- THE HOUSING WILL WITHSTAND EXPOSURE TO
260°C PEAK TEMPERATURE FOR 30 SECONDES
IN A CONVECTION, INFRA-RED OR VAPOR
PHASE REFLOW OVEN.
 - c - LABELING:
- MEETS PACKAGING SPECS AS PER GS-14-920
 - d - LEGAL STATEMENT: SEE GS-47-0004



mat'l. code SEE NOTES				surface ISO 1302 ✓		tolerance ISO 406 ISO 1101		projection mm		product family BSTIK HDR	
ltr	ecn no	dr	date	tolerances unless otherwise specified						title	
H	F-23055	AMA	16.01.15	angles		linear		mm		HEADER SR, SMT, POLARIZED	
C	F04-0362	JCO	04.12.10					scale 1:4		dwg no	
D	f06-0208	JCO	06.06.22	dr	L.MULIN	99.04.28		FCJ		sheet 1 of 1	
E	F08-0148	RTR	08.03.31	enr	JMC	99.04.28				size A3	
F	F10-0207	JCO	10.09.09	chr						98400	
G	B-18983	LMU	14.10.03	appd	JMC	99.04.28				type CUSTOMER Drawing	
sheet index		revision sheet									