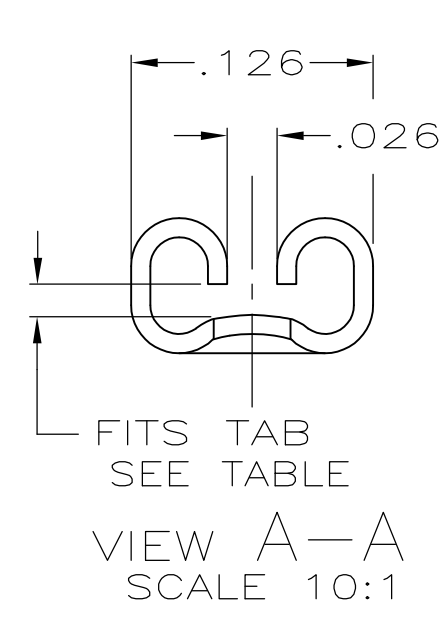
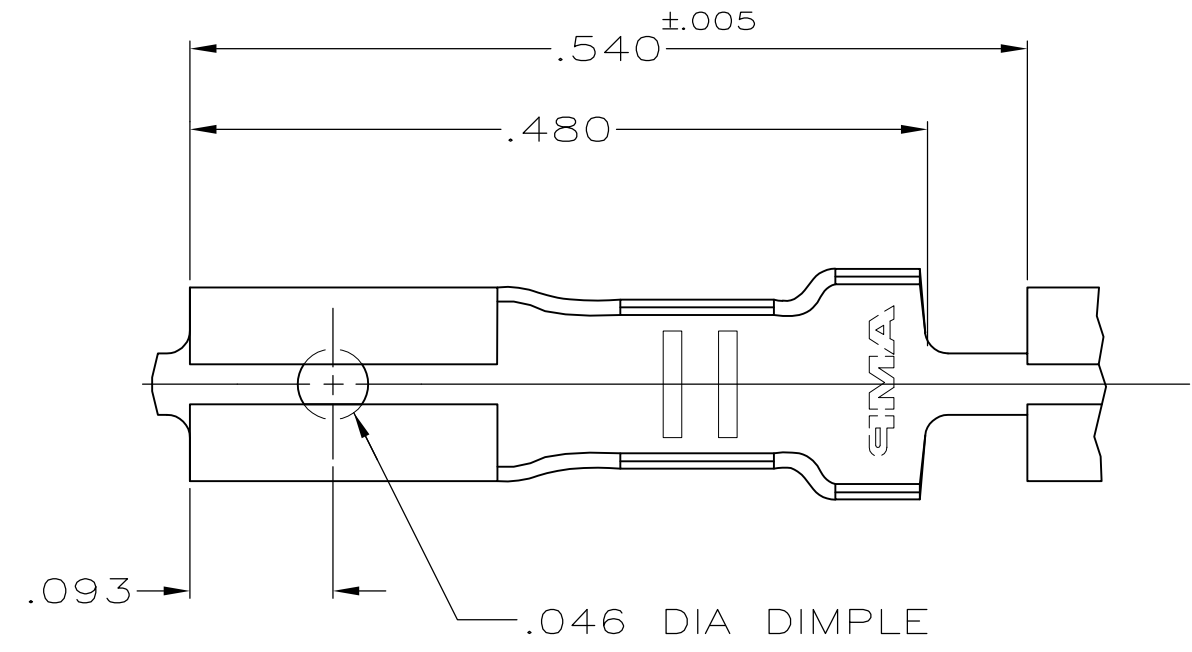
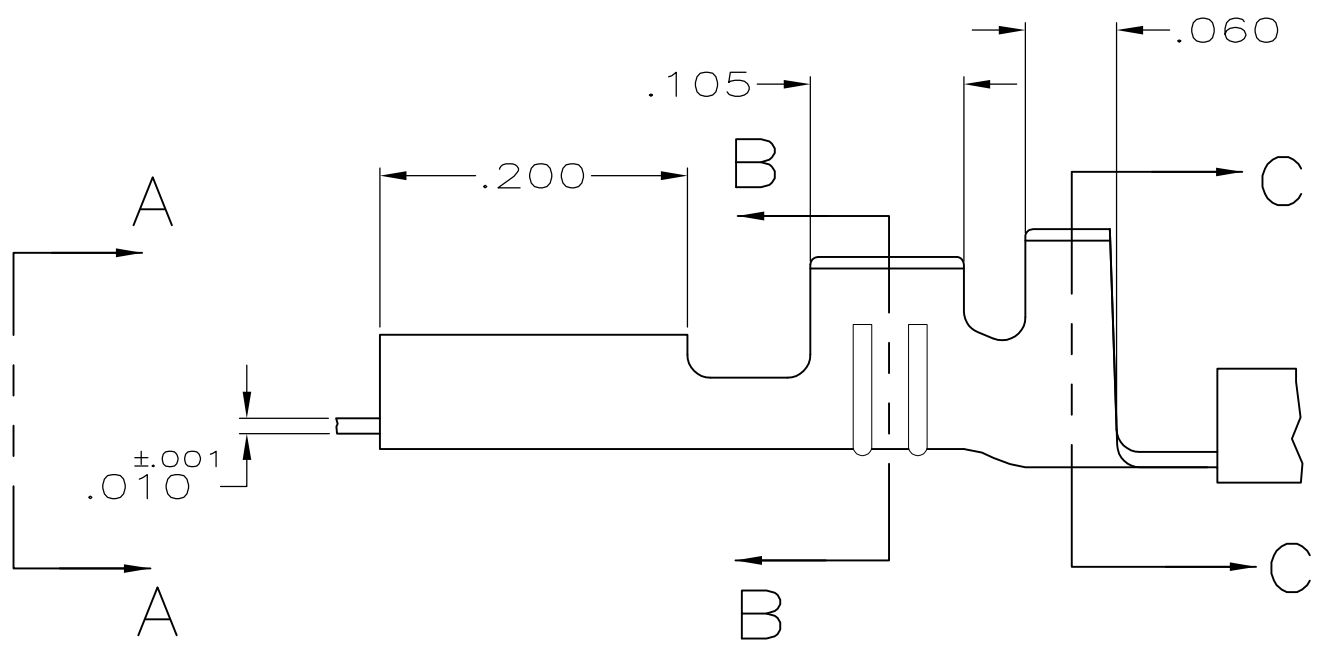
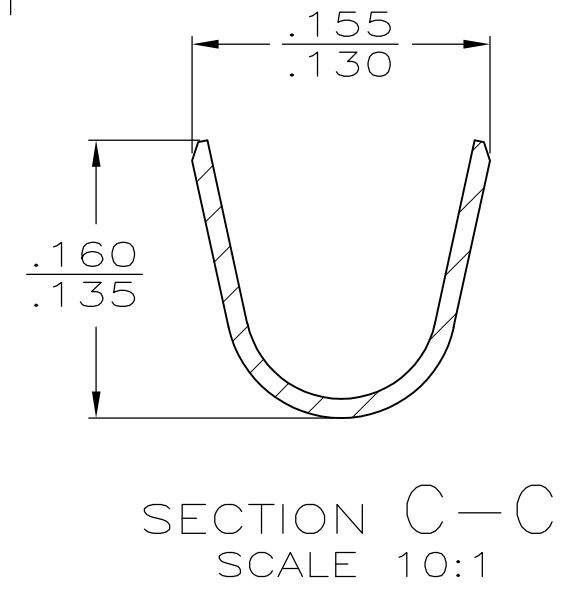
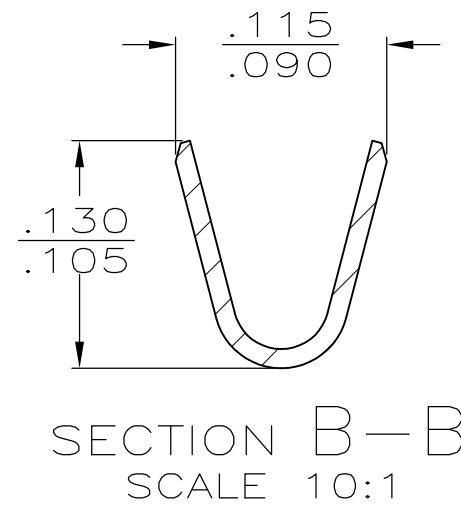



THIS DRAWING IS UNPUBLISHED. RELEASED FOR PUBLICATION  
 © COPYRIGHT - By - ALL RIGHTS RESERVED.

LOC	DIST	REVISIONS			
P	LTR	DESCRIPTION	DATE	DWN	APVD
AF	50	J	REVISED PER ECR-12-013445	18OCT12	KH PD



1 CONTINUOUS STRIP ON REELS.



.080-.120		22-18	.032 x .103 MAX	60252-1
INSUL RANGE		WIRE SIZE	MATING TAB	PART NO
THIS DRAWING IS A CONTROLLED DOCUMENT.		DWN JR RUTH 12/10/92	 TE Connectivity RECEPTACLE, FASTON, SPECIAL	
DIMENSIONS: mm [INCHES]		CHK MS FEHER 12/10/92		
TOLERANCES UNLESS OTHERWISE SPECIFIED:		APVD J GILLESPIE 12/10/92		
0 PLC ± - 1 PLC ± - 2 PLC ± - 3 PLC ± 0.38 [.015] 4 PLC ± - ANGLES ± -		PRODUCT SPEC -		
MATERIAL BRASS		FINISH PRE-TIN	APPLICATION SPEC -	RESTRICTED TO -
CUSTOMER DRAWING		WEIGHT -	SIZE A3	CAGE CODE 00779
			DRAWING NO C-60252	
		SCALE 5:1	SHEET 1 OF 1	REV J