


VS-25-SD

Order No.: 1652211

<http://eshop.phoenixcontact.de/phoenix/treeViewClick.do?UID=1652211>

D-SUB protective cover, shell size 3, IP54 degree of protection, for panel mounting frame and sleeve housing VS-25-...

Commercial data

GTIN (EAN)	
sales group	D500
Pack	5 pcs.
Customs tariff	85389099
Catalog page information	Page 327 (PC-2009)

Product notes

WEEE/RoHS-compliant since:
01/01/2003

<http://www.download.phoenixcontact.com>
Please note that the data given here has been taken from the online catalog. For comprehensive information and data, please refer to the user documentation. The General Terms and Conditions of Use apply to Internet downloads.

Technical data

Mechanical characteristics

Insertion/withdrawal cycles	≥ 1000
Color	gray
Ambient temperature (operation)	-40 °C ... 80 °C

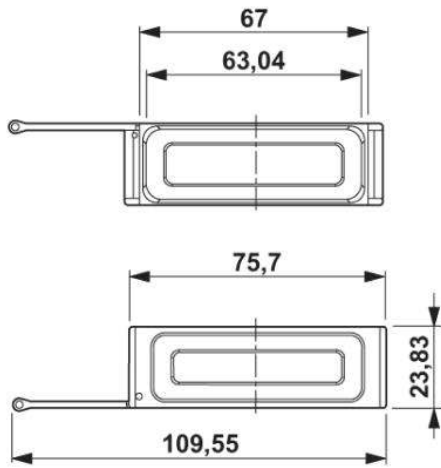
Material data

Inflammability class acc. to UL 94	V0
Housing material	PA
Degree of protection	IP54

Diagrams/Drawings

Dimensioned drawing

Protective cover for D-SUB



Address

PHOENIX CONTACT Deutschland GmbH
Flachmarktstr. 8
32825 Blomberg, Germany
Phone +49 5235 3 12000
Fax +49 5235 3 41200
<http://www.phoenixcontact.de>



© 2011 Phoenix Contact
Technical modifications reserved;