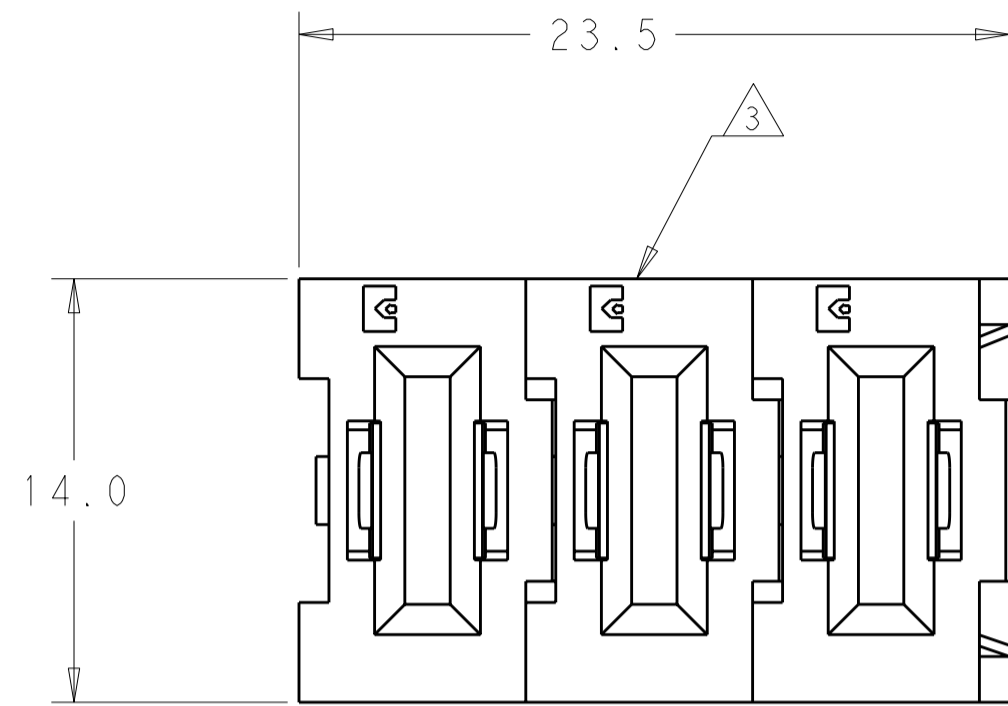


THIS DRAWING IS UNPUBLISHED. RELEASED FOR PUBLICATION 20  
 © COPYRIGHT 20 BY TYCO ELECTRONICS CORPORATION. ALL INTERNATIONAL RIGHTS RESERVED.

| LOC | DIST | REVISIONS   |          |           |       |
|-----|------|-------------|----------|-----------|-------|
| P   | LTR  | DESCRIPTION | DATE     | DWN       | APVD  |
| GP  | 00   | A           | RELEASED | 18MAY2010 | RG MS |
|     |      |             |          |           |       |
|     |      |             |          |           |       |

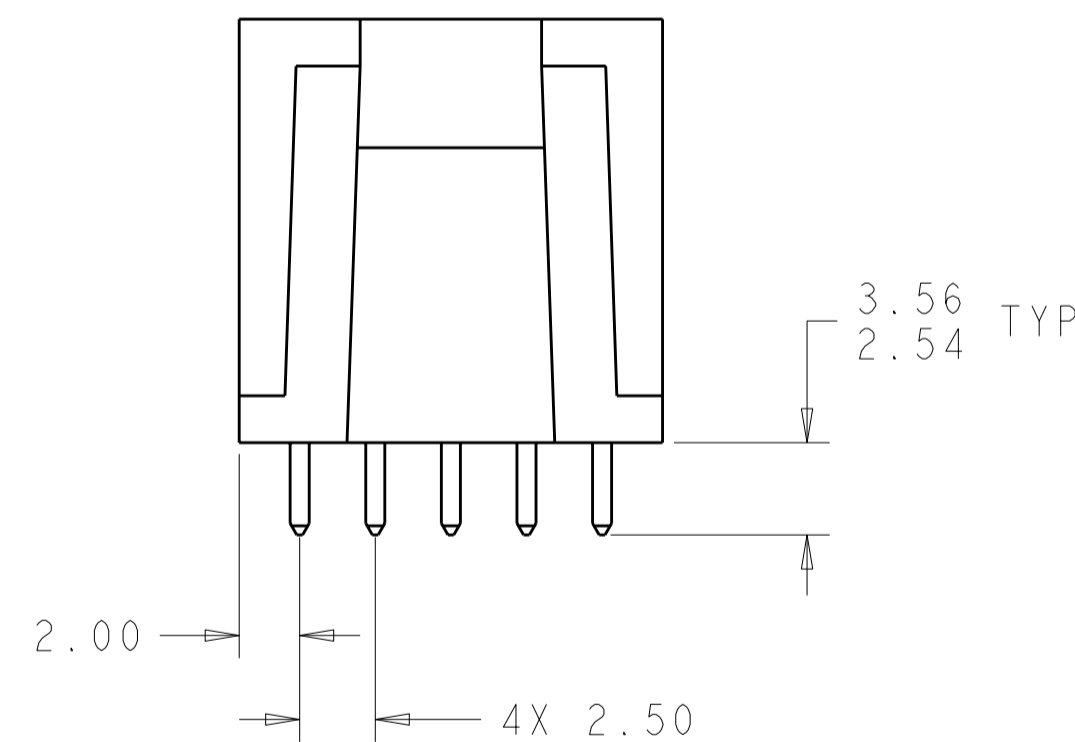
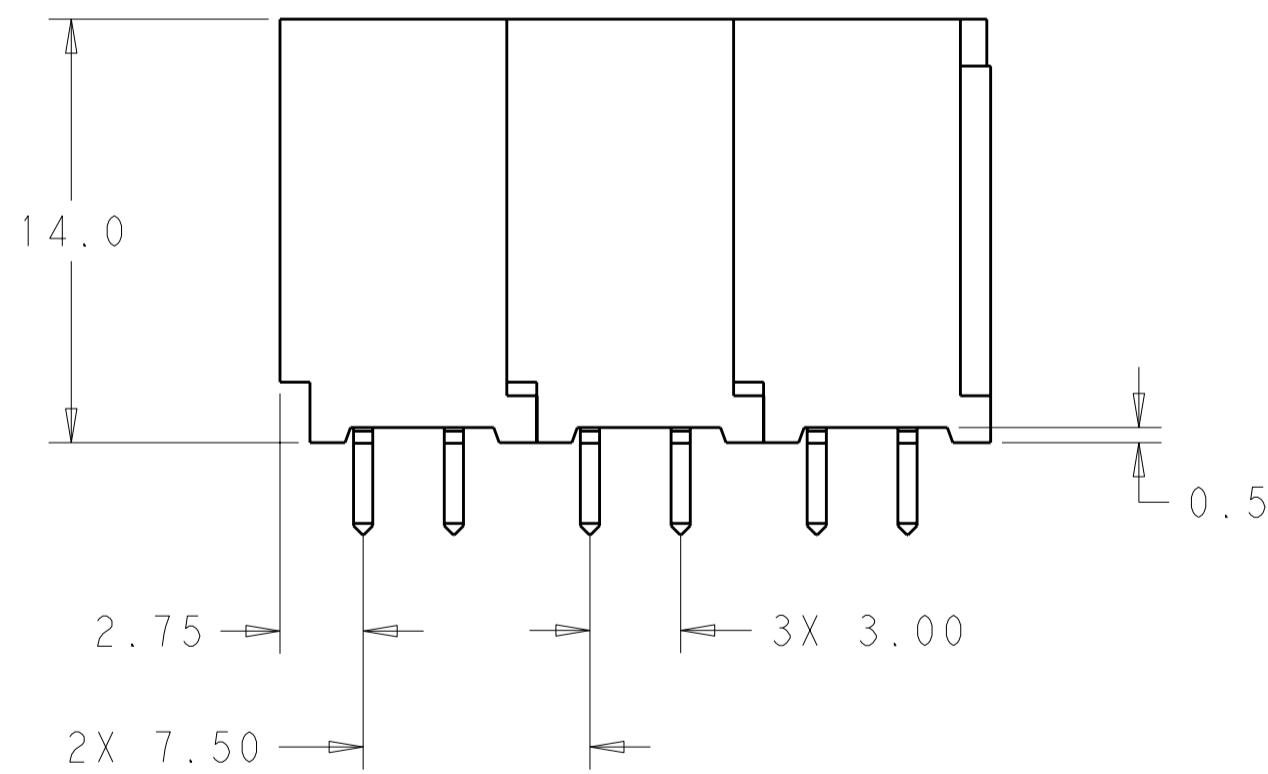


- △1 MATERIAL:  
 INSULATORS - THERMOPLASTIC, GLASS REINFORCED,  
 COLOR: BLACK  
 UL94V-0 FLAMMABILITY RATED.  
 POWER CONTACTS - COPPER ALLOY,
- △2 FINISH:  
 CONTACTS - GOLD PLATE 0.76µm MIN. THK., OVER NICKEL  
 1.27µm MIN. THK  
 SOLDER TAILS - TIN 3.05µm MIN. THK. OVER NICKEL  
 1.27µm MIN. THK
- △3 ITEMS PROVIDED TO THIS SPECIFICATION TO BE PERMANENTLY IDENTIFIED PER THE FOLLOWING IDENTIFIER LABEL

YEAR 1 WEEK 1

TYCO ELECTRONICS P/N  
 XXXXXXXX-X

DATE CODE (e.g. 0106)  
 XXXX



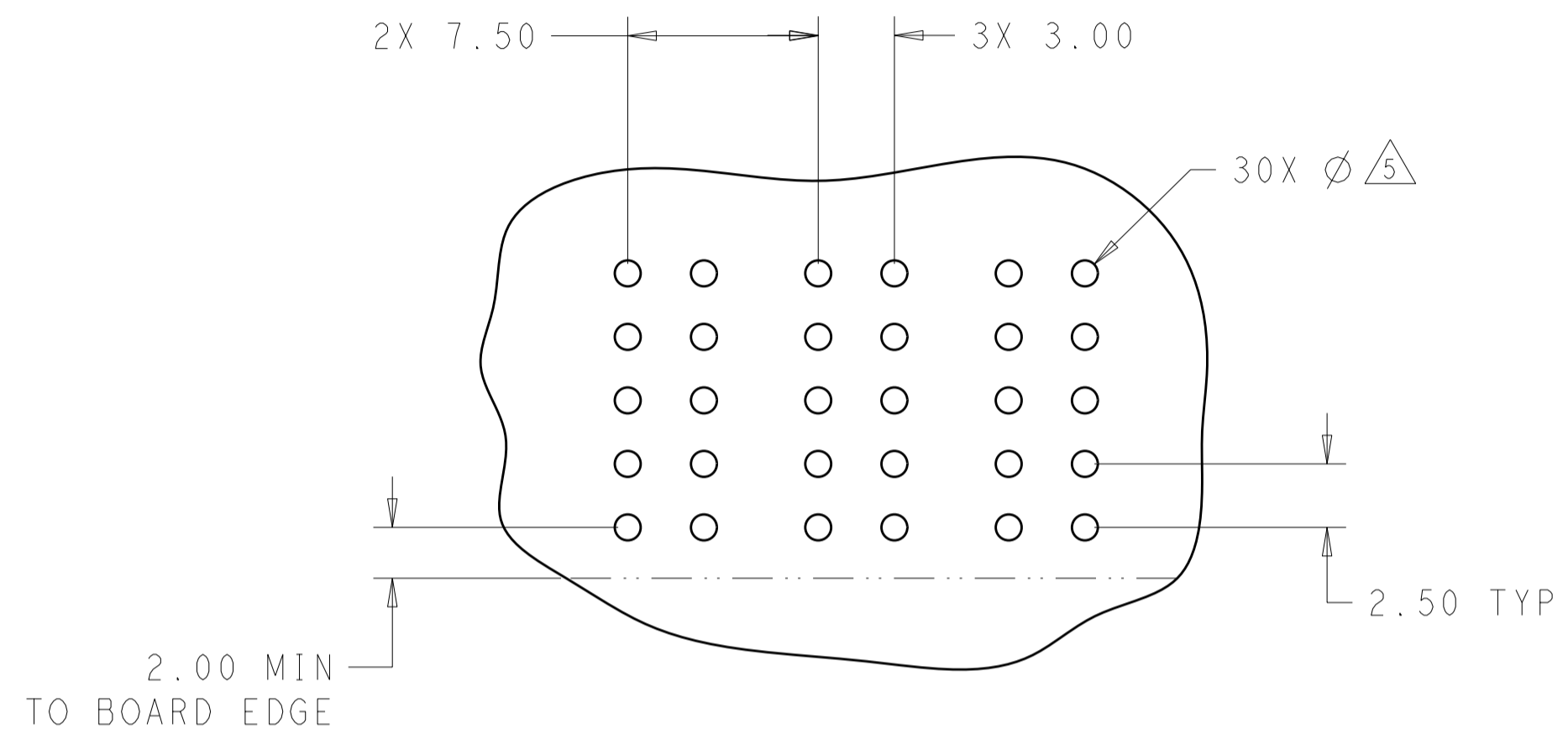
2085462-1

PART NO.

|   |  |   |   |                    |
|---|--|---|---|--------------------|
| THIS DRAWING IS A CONTROLLED DOCUMENT FOR TYCO ELECTRONICS CORPORATION. IT IS SUBJECT TO CHANGE AND THE CONTROLLING ENGINEERING ORGANIZATION SHOULD BE CONTACTED FOR THE LATEST REVISION. |  | DWN<br>R. GRZYBOWSKI<br>18MAY2010                         | Tyco Electronics Corporation<br>Harrisburg, PA 17105-3608             |                    |
| DIMENSIONS:<br>mm   |  | CHK<br>M. SYKES<br>18MAY2010                              | NAME<br>SOCKET CONNECTOR ASSEMBLY<br>STRAIGHT, SOLDER TAIL<br>FLATPAQ |                    |
| TOLERANCES UNLESS OTHERWISE SPECIFIED:<br>0 PLC ±<br>1 PLC ±0.5<br>2 PLC ±0.25<br>3 PLC ±<br>4 PLC ±<br>ANGLES ±<br>FINISH △  |  | APVD<br>M. PERCHERKE<br>18MAY2010                         | SIZE<br>A200779   |                    |
| MATERIAL △  |  | PRODUCT SPEC<br>-<br>APPLICATION SPEC<br>-<br>WEIGHT<br>- | DRAWING NO.<br>C-2085462  | RESTRICTED TO<br>- |
| CUSTOMER DRAWING  |  | SCALE 4:1   |   | SHEET 1 OF 3 REV A |

THIS DRAWING IS UNPUBLISHED. RELEASED FOR PUBLICATION 20  
 © COPYRIGHT 20 BY TYCO ELECTRONICS CORPORATION. ALL INTERNATIONAL RIGHTS RESERVED.

| LOC | DIST | REVISIONS   |             |     |      |
|-----|------|-------------|-------------|-----|------|
| P   | LTR  | DESCRIPTION | DATE        | DWN | APVD |
| GP  | 00   | -           | SEE SHEET 1 | -   | -    |
|     |      |             |             |     |      |
|     |      |             |             |     |      |



PRINTED CIRCUIT BOARD LAYOUT  
 COMPONENT SIDE

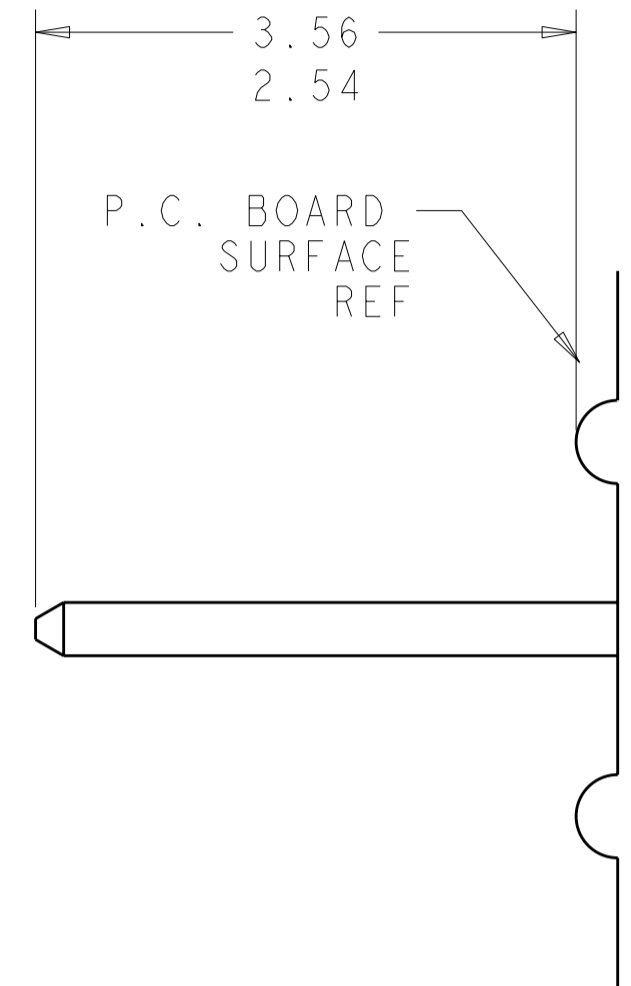
| CONNECTOR | CATALOG MODULE # | QTY | SIZE NO. | CONTACT QTY | MATING PIN  | MAX. CURRENT (PER CONTACT) | CONTACT SPACING | VOLTAGE RATING |
|-----------|------------------|-----|----------|-------------|-------------|----------------------------|-----------------|----------------|
| SOCKET    | FP100            | 3   | 8        | 3           | 1.25 X 7.00 | 35 amps                    | 7.50            | 250            |

THIS DRAWING IS A CONTROLLED DOCUMENT FOR TYCO ELECTRONICS CORPORATION. IT IS SUBJECT TO CHANGE AND THE CONTROLLING ENGINEERING ORGANIZATION SHOULD BE CONTACTED FOR THE LATEST REVISION.

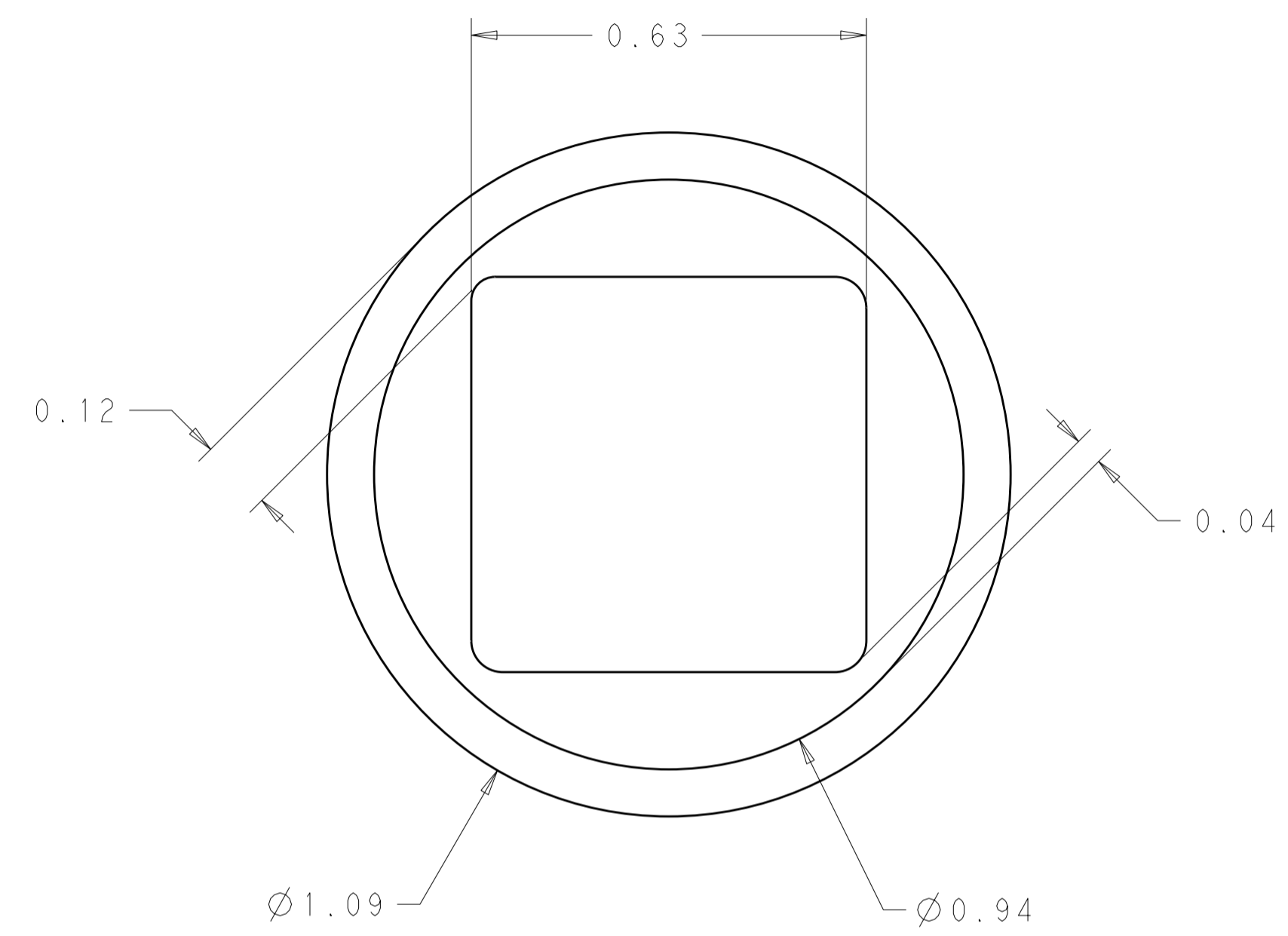
|                  |               |           |   |   |
|------------------|---------------|-----------|---|---|
| DWN              | R. GRZYBOWSKI | 18MAY2010 | Tyco Electronics Corporation<br>Harrisburg, PA 17105-3608 |   |
| CHK              | M. SYKES      | 18MAY2010 |   |   |
| APVD             | M. PERCHERKE  | 18MAY2010 |   |   |
| PRODUCT SPEC     |               |           |   |   |
| APPLICATION SPEC |               |           | NAME  | SOCKET CONNECTOR ASSEMBLY<br>STRAIGHT, SOLDER TAIL<br>FLATPAQ |
| WEIGHT           | -             |           | SIZE  | A2  |
| CUSTOMER DRAWING |               |           | CAGE CODE   | 200779  |
|                  |               |           | DRAWING NO  | C-2085462   |
|                  |               |           | RESTRICTED TO   | -   |
|                  |               |           | SCALE   | 4:1   |
|                  |               |           | SHEET   | 2 OF 3  |
|                  |               |           | REV   | A   |

THIS DRAWING IS UNPUBLISHED. RELEASED FOR PUBLICATION 20  
 © COPYRIGHT 20 BY TYCO ELECTRONICS CORPORATION. ALL INTERNATIONAL RIGHTS RESERVED.

| LOC | DIST | REVISIONS   |             |     |      |
|-----|------|-------------|-------------|-----|------|
| P   | LTR  | DESCRIPTION | DATE        | DWN | APVD |
| GP  | 00   | -           | SEE SHEET 1 | -   | -    |
|     |      |             |             |     |      |
|     |      |             |             |     |      |



4. SOLDER PIN DETAIL  
SCALE 10:1



5 SOLDER TERMINATION AREA  
SCALE 40:1  
RECOMMENDED PRINTED CIRCUIT SOLDER HOLE  
FINISHED HOLE: Ø1.02 ±.08  
DRILLED HOLE: Ø1.15 ±.013  
COPPER PLATE: .025 MIN  
TIN PLATE: .008 MIN. (PER SURFACE)

|   |  |  |   |                             |
|---|--|--|---|-----------------------------|
| THIS DRAWING IS A CONTROLLED DOCUMENT FOR TYCO ELECTRONICS CORPORATION. IT IS SUBJECT TO CHANGE AND THE CONTROLLING ENGINEERING ORGANIZATION SHOULD BE CONTACTED FOR THE LATEST REVISION. |  | DWN<br>R. GRZYBOWSKI<br>18MAY2010          | Tyco Electronics Corporation<br>Harrisburg, PA 17105-3608             |                             |
| DIMENSIONS:<br>mm   |  | CHK<br>M. SYKES<br>18MAY2010               | NAME<br>SOCKET CONNECTOR ASSEMBLY<br>STRAIGHT, SOLDER TAIL<br>FLATPAQ |                             |
| TOLERANCES UNLESS OTHERWISE SPECIFIED:<br>0 PLC ±<br>1 PLC ±0.5<br>2 PLC ±0.25<br>3 PLC ±<br>4 PLC ±  |  | APVD<br>M. PERCHERKE<br>18MAY2010          | SIZE<br>A200779   | DRAWING NO<br>C-2085462     |
| MATERIAL  |  | PRODUCT SPEC<br>-<br>APPLICATION SPEC<br>- | RESTRICTED TO<br>-  |                             |
| ANGLES<br>FINISH  |  | WEIGHT<br>-                                | SCALE<br>4:1  | SHEET<br>3 OF 3<br>REV<br>A |
| -   |  | CUSTOMER DRAWING                           |   |                             |