

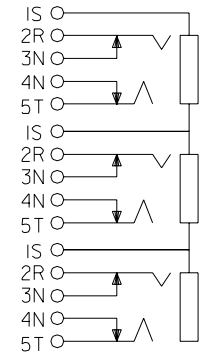
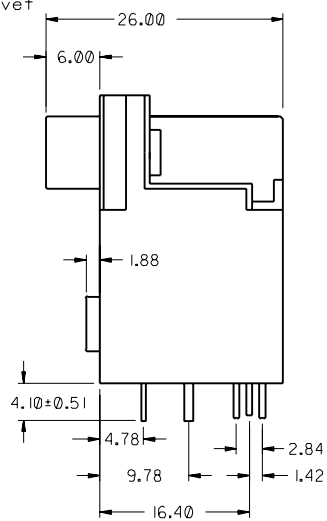
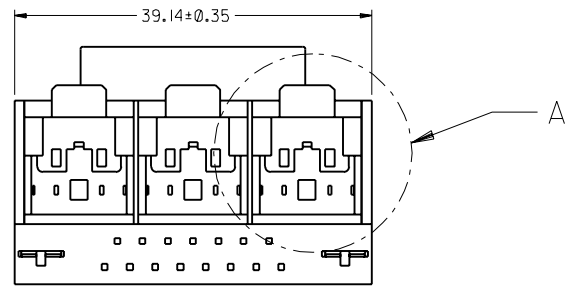
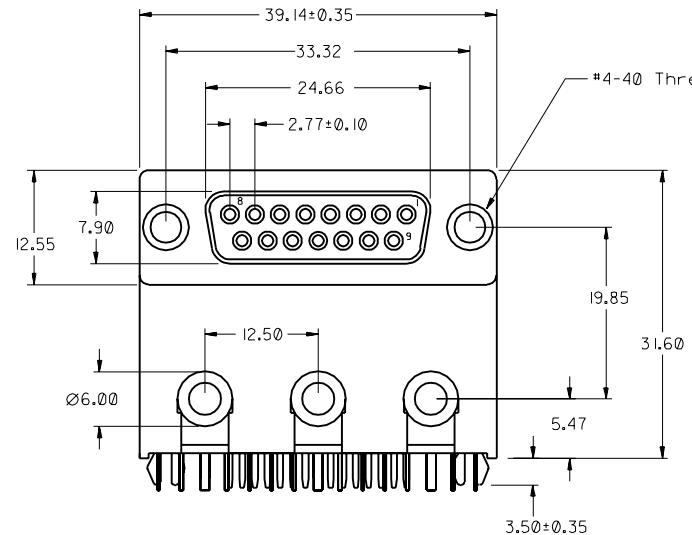
DO NOT SCALE DRAWING

CAD FILE : S670011

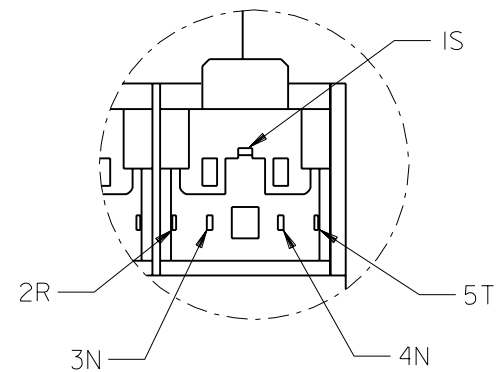
SIMILAR ITEM

EDP NO.

ENG. NO. SDA-67001-00*0

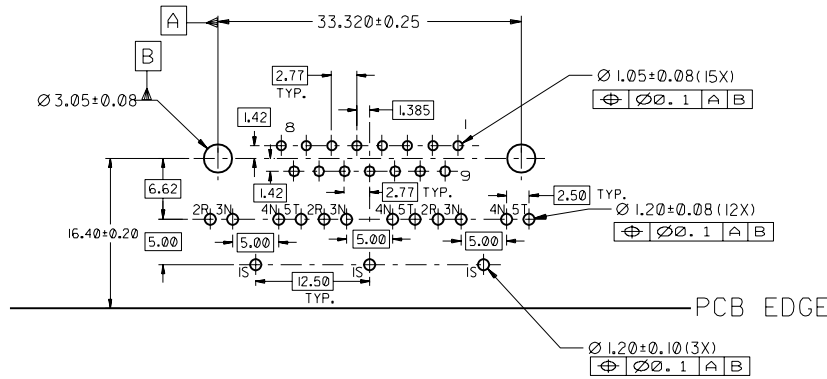


WIRING DIAGRAM

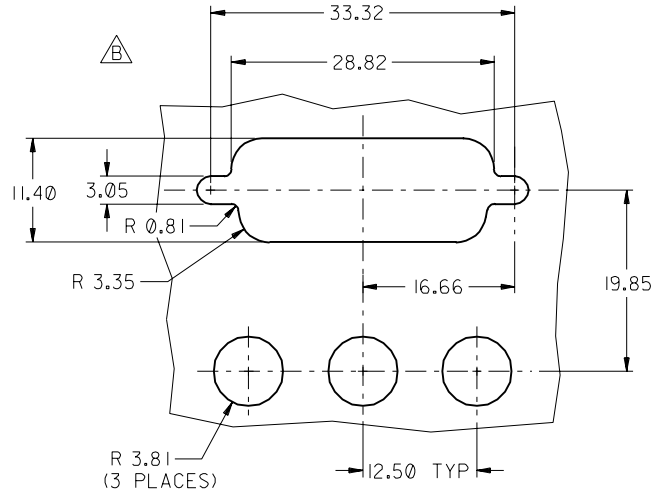


DETAIL A (Audio Jack)

				MATERIAL : SEE NOTE		MOLEX TAIWAN LTD. SHEET 1 OF 2
				FINISH : SEE NOTE		
				WIRE RANGE :		GENERAL TOLERANCES ANGLE : ± 3° DIM : ± .25/0.10
B	RELEASE TO MANUFACTURING	197-424	NEIL	970602	ENG. NO. : SDA-67001-00*0	
A2	UPDATE THE DIM	197-392	NEIL	970508	REV B	
A1	PER PDR MXT 0884	197-110	Vin	96.10.11		
LTR	REVISION RECORD	ECN	DR	DATE	DRAWN BY Vincent Lin	CHK'D BY
				APPR'D BY		SCALE 2:1
REVISE ONLY ON CAD SYSTEM						
						TITLE : HYBRID CONNECTOR 15CKT FEMALE STD D-SUB WITH AUDIO JACK(3X)



RECOMMENDED PCB LAYOUT



RECOMANED PANEL CUTOUT

67001-00*0

NOTE

- 1) MATERIAL
- STANDARD D-SUB 15CKT FEMALE
- 1) SHELL : STEEL, TIN PLATING
- 2) BOARD LOCK : BRASS, TIN PLATING
- 3) SCREW: BRASS, NICKEL PLATING
- 4) INSULATOR : POLYESTER(PBT), WITH GLASS FIBER, UL-94V0, COLOR : BLACK
- 5) CONTACT : PHOSPHOR BRONZE
- AUDIO JACK
- 1) HOUSING/BACK COVER : POLYESTER, UL94V-0 ,COLOR: BLACK
- 2) BUSHING : BRASS, NICKEL PLATING
- 3) SLEEVE TERMINAL (IS) : SPCC, NICKEL PLATING
- 4) SLEEVE SPRING : PHOSPHOR BRONZE, SILVER PLATING
- 5) RING TERMINAL (2R): PHOSPHOR BRONZE, TIN PLATING
- 6) TIP TERMINAL (5T): PHOSPHOR BRONZE, TIN PLATING
- 7) SHUNT TERMINAL (3N/4N): BRASS, TIN PLATING

- 4 : 0.76 MICROMETER/30 MICRO INCH MINIMUM GOLD ON CONTACT AREA .
2.54 MICROMETER / 100 MICRO INCH MINIMUM TIN/LEAD ON SOLDER TAIL .
BOTH UNDERPLATING NICKEL OVERALL .
- 5 : 0.38 MICROMETER/15 MICRO INCH MINIMUM GOLD ON CONTACT AREA .
2.54 MICROMETER / 100 MICRO INCH MINIMUM TIN/LEAD ON SOLDER TAIL .
BOTH UNDERPLATING NICKEL OVERALL .
- 6 : GOLD FLASH ON CONTACT AREA .
2.54 MICROMETER / 100 MICRO INCH MINIMUM TIN/LEAD ON SOLDER TAIL .
BOTH UNDERPLATING NICKEL OVERALL .

				MATERIAL : SEE NOTES		 MOLEX TAIWAN LTD. SHEET 2 OF 2
				FINISH : SEE NOTES		
				WIRE RANGE :		GENERAL TOLERANCES ANGLE : ± 3° DIM : ± .25/0.10 ENG. NO. : SDA-67001-00*0
				INS. RANGE :		
B	RELEASE TO MANUFACTURING	197-424	NEIL	970602	TITLE : HYBRID CONNECTOR 15CKT FEMALE STD D-SUB WITH AUDIO JACK(3X)	
A2	UPDATE THE DIM.	197-392	NEIL	970508		
A1	PER PDR MXT 0884	197-110	Vincent	961121		
LTR	REVISION RECORD	ECN	DR	DATE	DRAWN BY 961121 Vincent Lin	CHK'D BY
REVISE ONLY ON CAD SYSTEM					APPR'D BY	SCALE 2:1