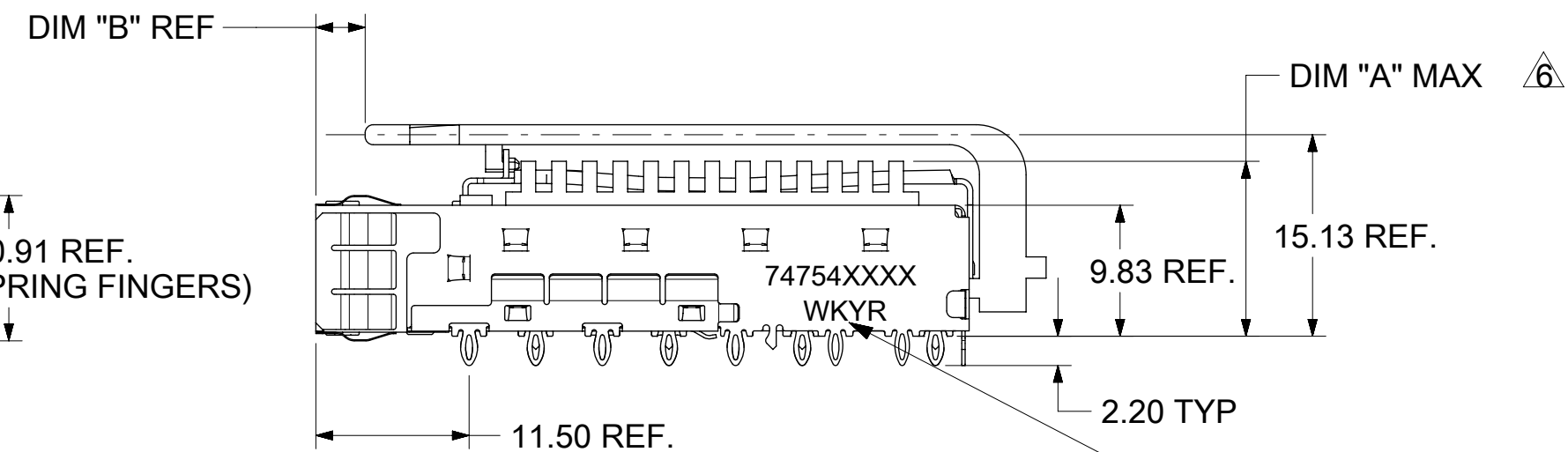
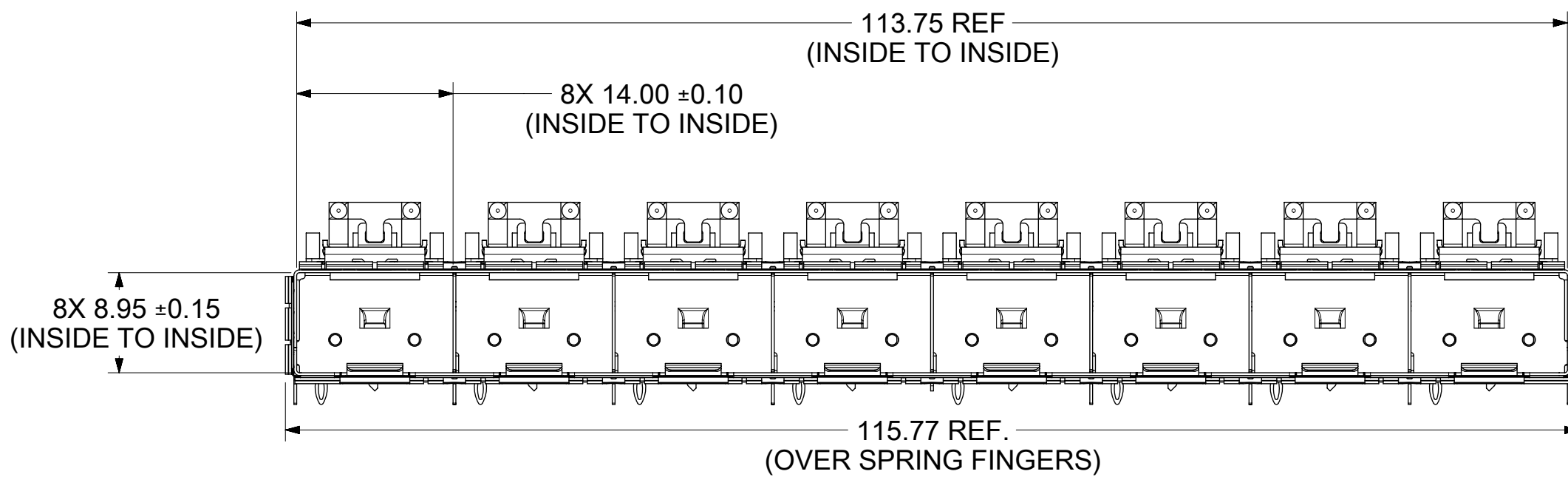
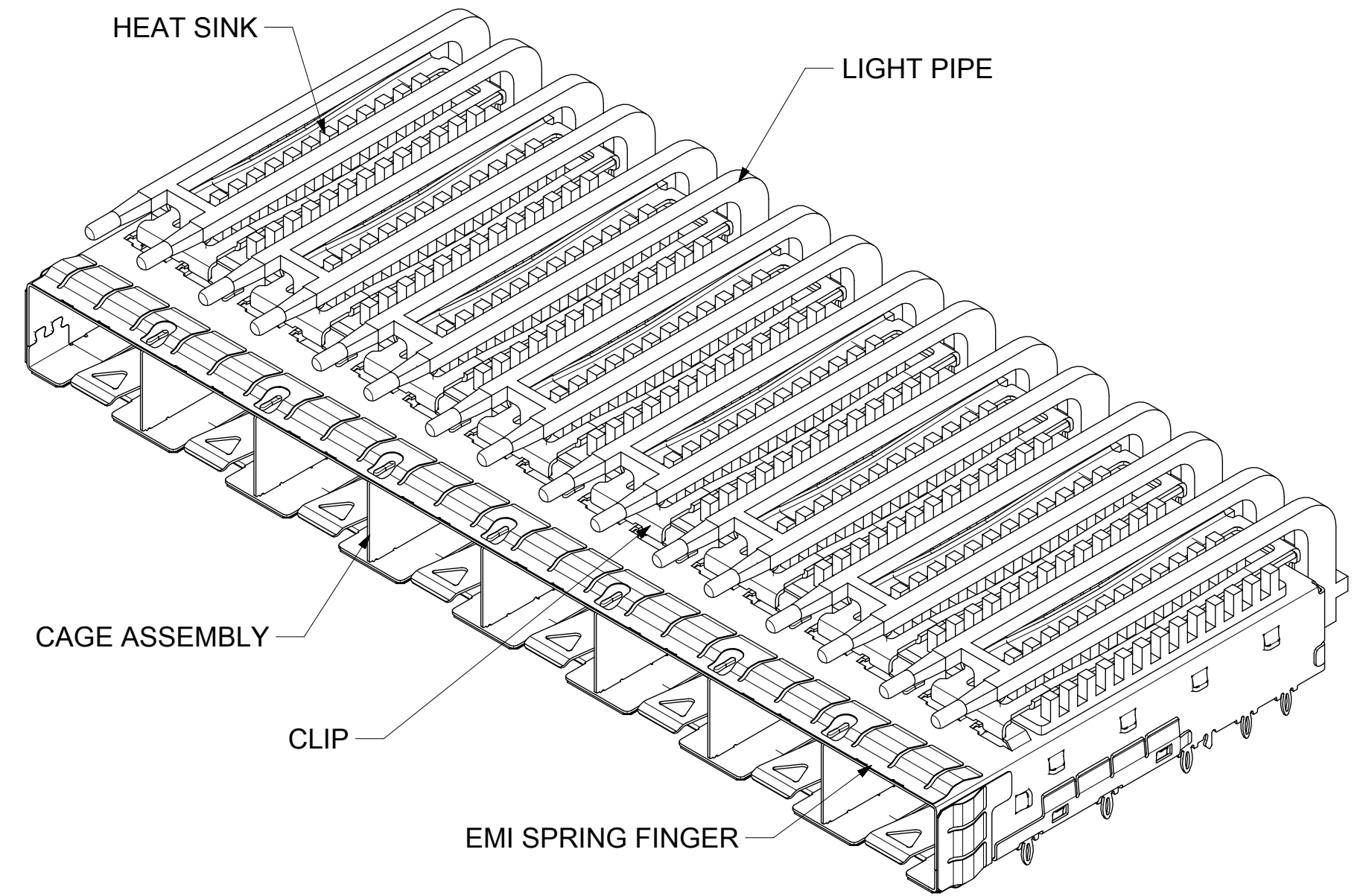
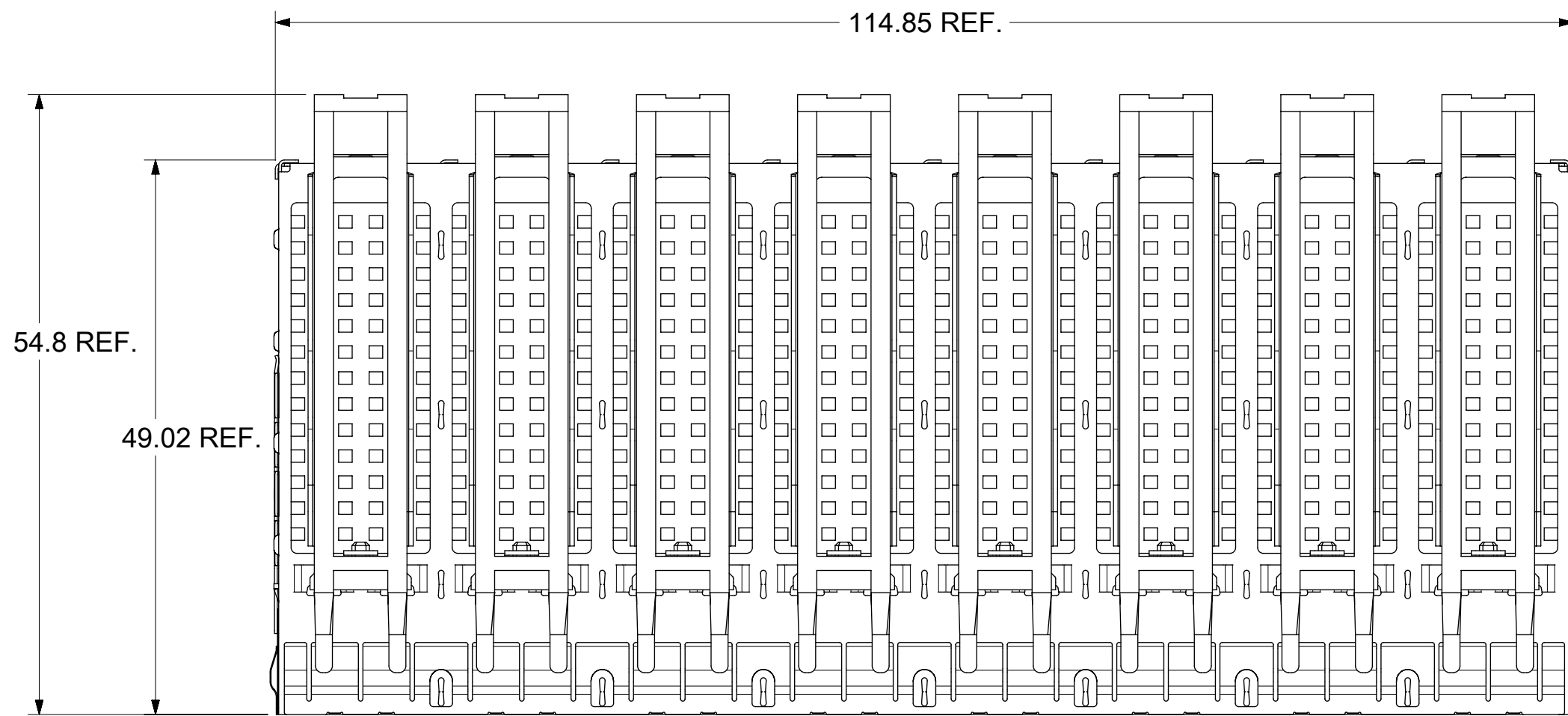


747548821

SHOWN



PART NUMBER	DESCRIPTION	HEAT SINK	LIGHT PIPE	DIM "A"	DIM "B"
747548820	SFP+ GEN2 1X8 CAGE, SF ,OPEN TOP, CUSTOM HS(9.5MM TALL), DUAL LP	CUSTOM HS	DUAL W/ FLAT EDGE	18.43	1.70
747548821	SFP+GEN2 1X8 CAGE, SF, OPEN TOP, PCI HS, DUAL LP	PCI	DUAL W/ ROUND EDGE	13.13	3.70

PART NO. AND WEEK/YEAR DATE CODE TO BE PRINTED ON SIDE OF COMPLETED CAGE ASSEMBLY APPROXIMATELY AS SHOWN. SEE TABLE BELOW FOR DATE CODE INFORMATION.

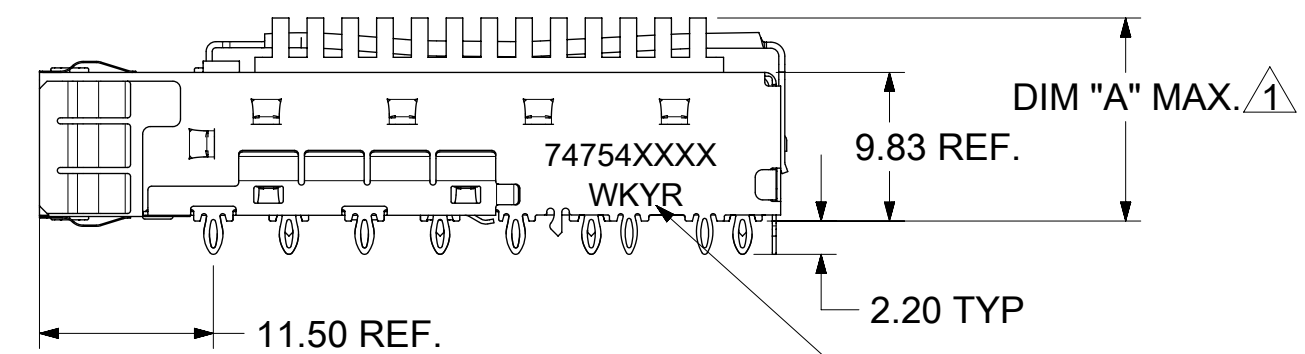
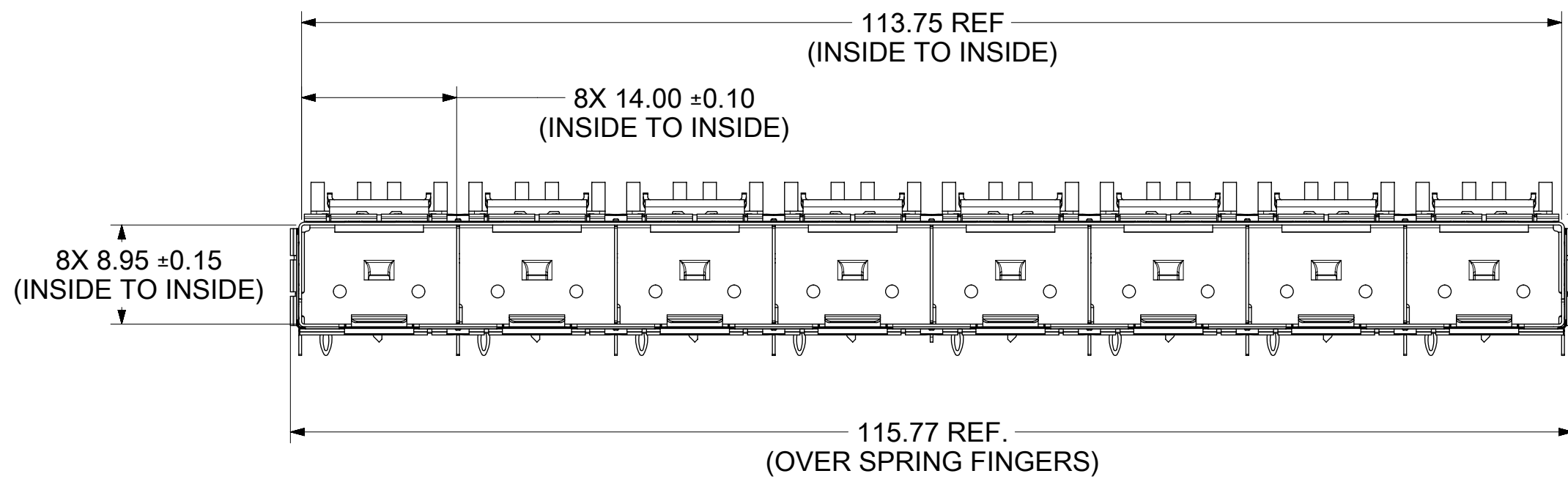
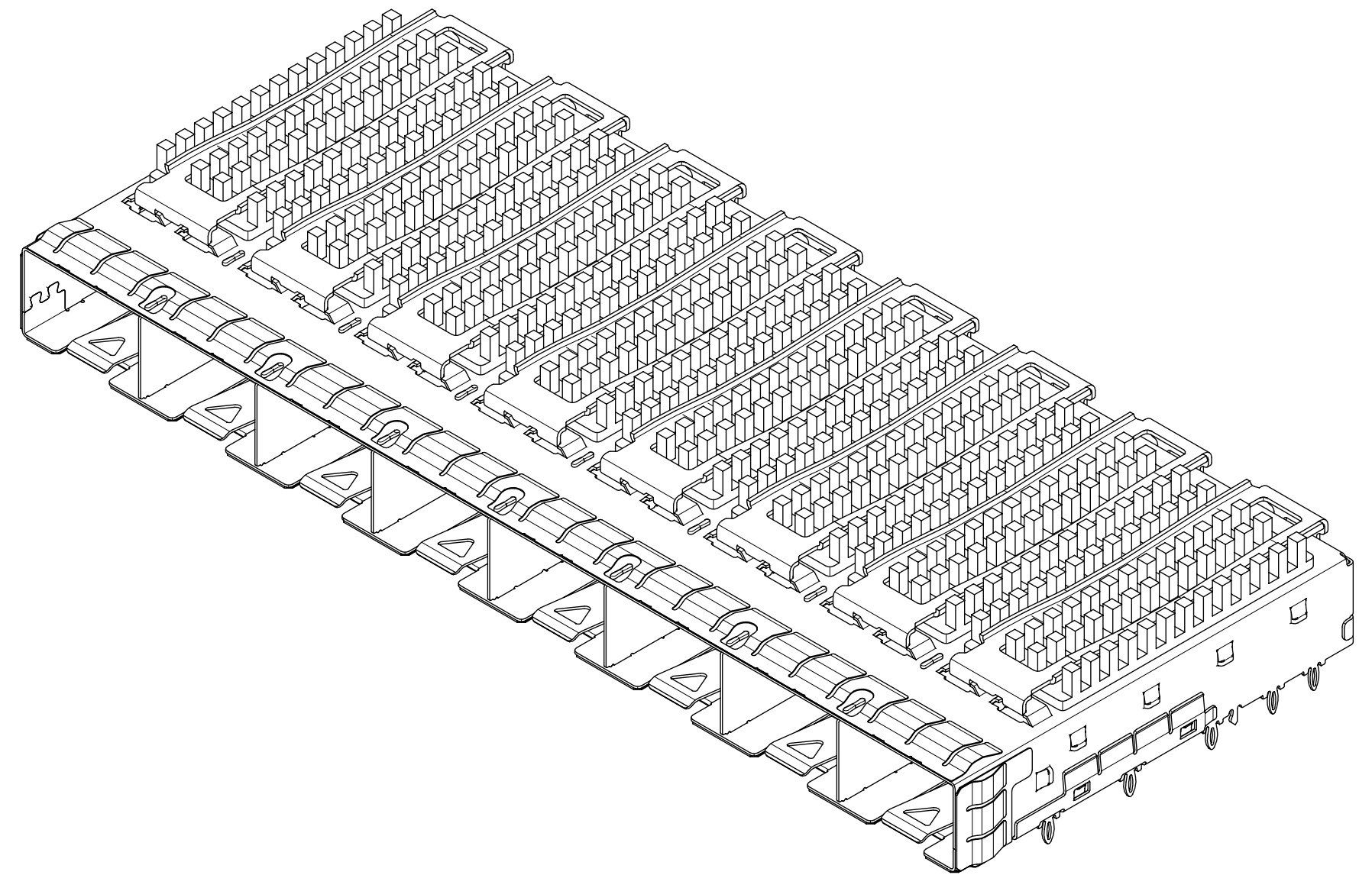
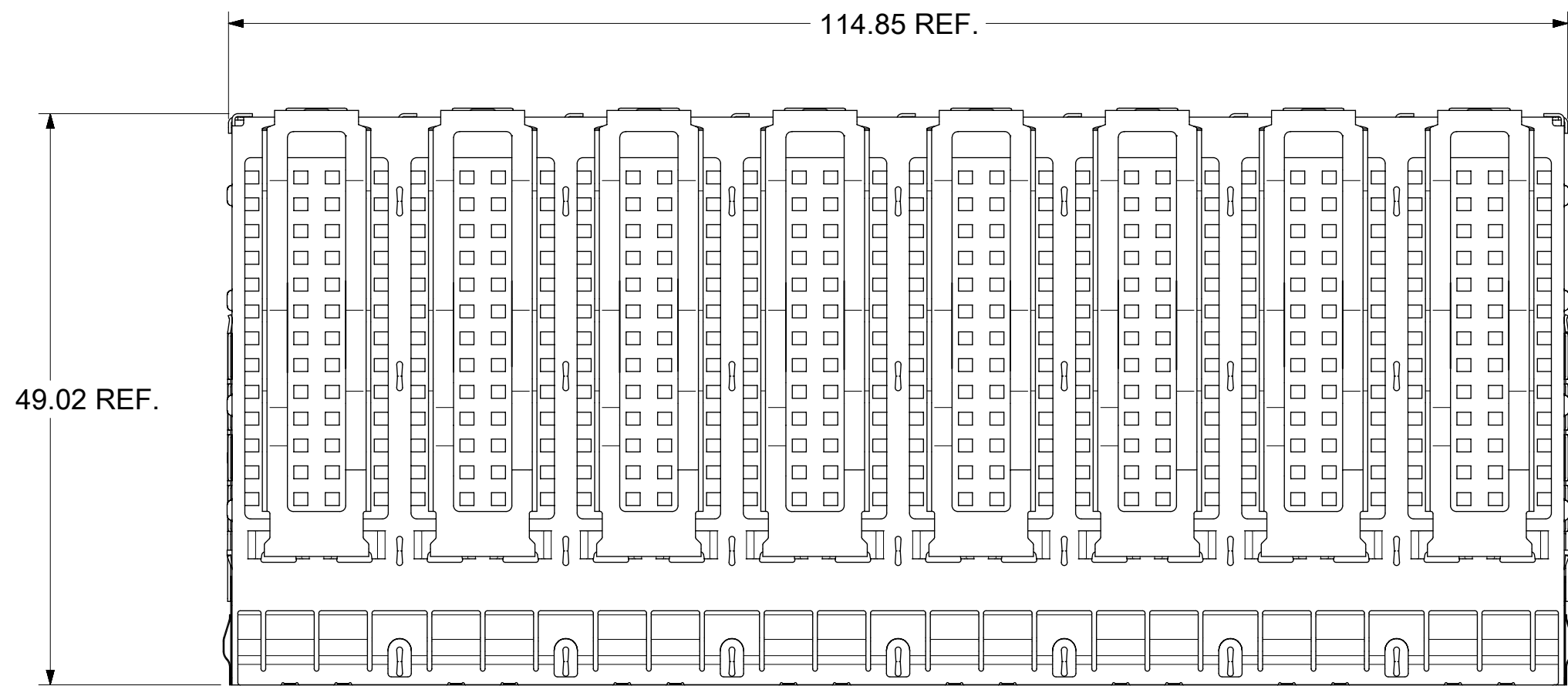
WEEK/YEAR DATE CODE TABLE	
WK	01 THRU 52 OR 53 EXAMPLE: 01 = FIRST WEEK OF YEAR 52 = LAST WEEK OF YEAR
YR	22, 23, 24 ETC. EXAMPLE: YEAR 2022 = 22

- NOTES:
- MATERIAL:
CAGE: 0.25mm THICK COPPER ALLOY, NICKEL PLATED.
SPRING FINGERS: STAINLESS STEEL.
HEATSINK: ALUMINUM,ANNODIZED(BLACK)
HEATSINK SPRING CLIP: STAINLESS STEEL.
LIGHT PIPE: POLYCARBONATE
UNDER BELLY GASKET: EMI GASKET
 - PRESS FIT LEGS 2.20mm LONG
 - THE TOP SURFACE OF THE MODULE MUST BE FLAT (NO PRODUCT LABEL RECESS) AND THERMALLY CONDUCTIVE TO FUNCTION OPTIMALLY.
 - WELD SPOT MAY SHOW SLIGHT MATERIAL DISCOLORATION.
 - NO RoHS EXEMPTIONS.
 - HEIGHT OF HEATSINK WITH MODULE INSERTED.
DIMENSION MAY BE LESS DUE TO MODULE AND HEATSINK VARIATIONS.

FUNCTIONAL SYMBOLS	THIS DRAWING CONTAINS INFORMATION THAT IS PROPRIETARY TO MOLEX ELECTRONIC TECHNOLOGIES, LLC AND SHOULD NOT BE USED WITHOUT WRITTEN PERMISSION		CURRENT REV DESC:		molex
	DIMENSION UNITS	SCALE			
$\nabla_A = 0$	mm	2:1			SFP+ 1X8 CAGE ASSY PRESS FIT TYPE, W/SUS SF, HEAT SINK & LIGHT PIPE
$\nabla_E = 0$	GENERAL TOLERANCES (UNLESS SPECIFIED)				
$\nabla_P = 0$	ANGULAR TOL ± 1.0°				PRODUCT CUSTOMER DRAWING
DIVISIONAL SYMBOLS	4 PLACES ±		EC NO: 730246		
	3 PLACES ±		DRWN: AMRUTH 2022/11/29		
	2 PLACES ± 0.13		CHK'D: SMALLESHAPPA 2022/11/29		
	1 PLACE ± 0.25		APPR: SCHIEN 2022/11/30		
	0 PLACES ±		INITIAL REVISION:		
	DRAFT WHERE APPLICABLE MUST REMAIN WITHIN DIMENSIONS		DRWN: PKH 2022/04/07		DOCUMENT NUMBER
	THIRD ANGLE PROJECTION		APPR: SCHIEN 2022/05/26		747548820
	DRAWING		SERIES		DOC TYPE
	C-SIZE		74754		PSD
	MATERIAL NUMBER		CUSTOMER		ASY
	SEE P/N TABLE				B1
	SHEET NUMBER				1 OF 7

747547820

SHOWN



PART NO. AND WEEK/YEAR DATE CODE TO BE PRINTED ON SIDE OF COMPLETED CAGE ASSEMBLY APPROXIMATELY AS SHOWN. SEE TABLE BELOW FOR DATE CODE INFORMATION.

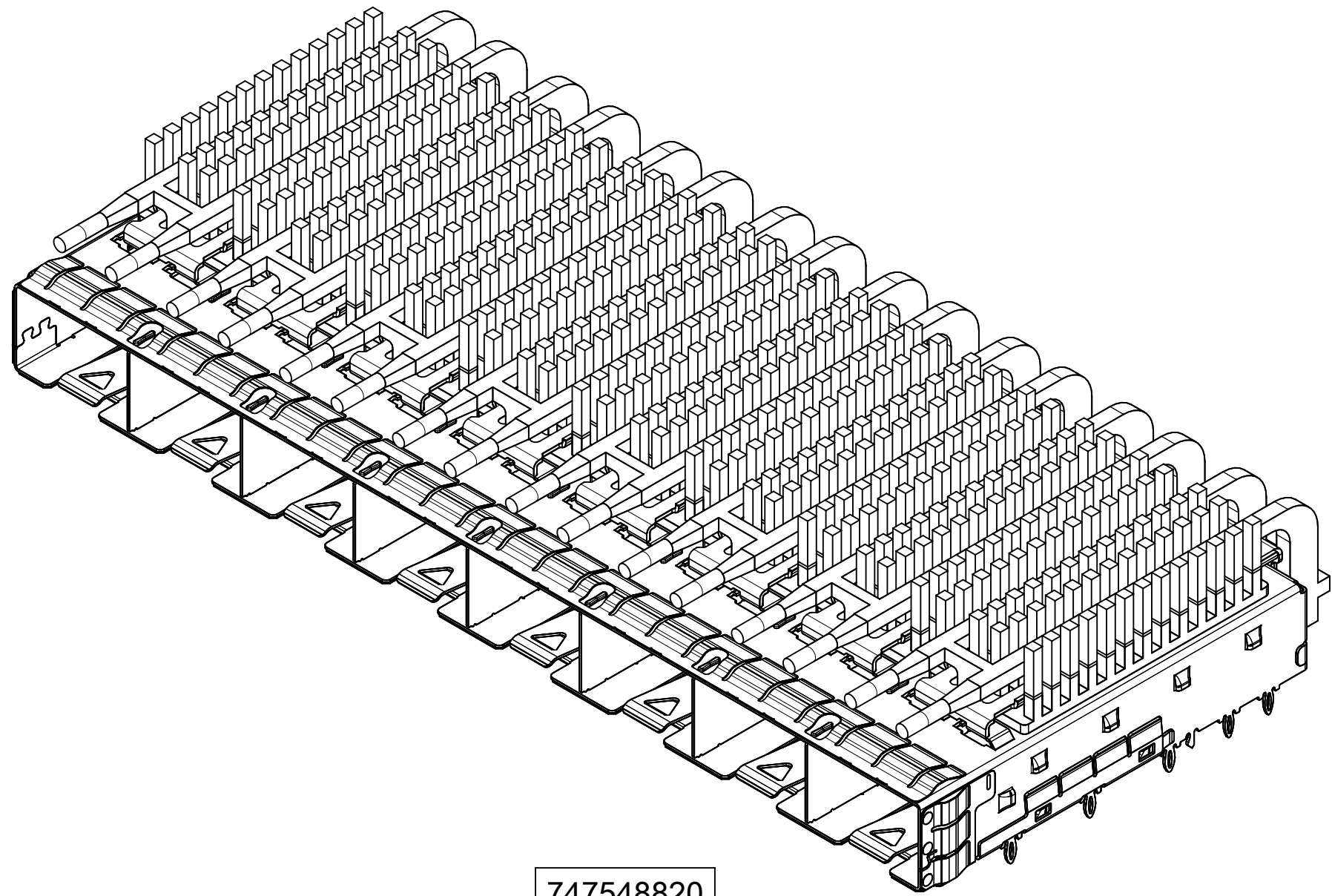
WEEK/YEAR DATE CODE TABLE	
WK	01 THRU 52 OR 53 EXAMPLE: 01 = FIRST WEEK OF YEAR 52 = LAST WEEK OF YEAR
YR	22, 23, 24 ETC. EXAMPLE: YEAR 2022 = 22

PART NUMBER	DESCRIPTION	HEAT SINK	LIGHT PIPE	DIM "A"
747547820	SFP+ GEN2 1X8 CAGE, SF ,OPEN TOP, CUSTOM HS(4.5MM TALL)	CUSTOM HS	NO	15.0

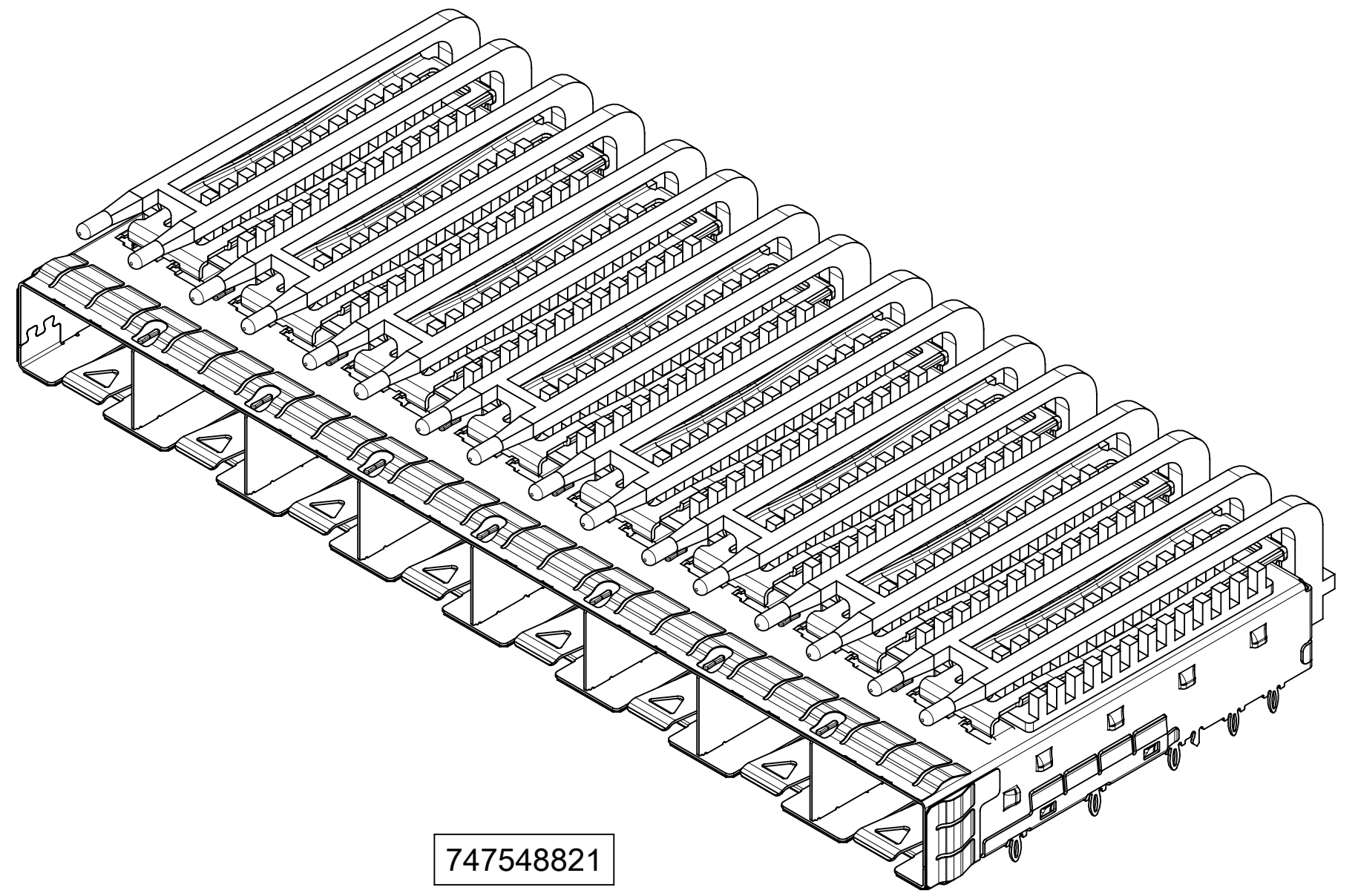
FUNCTIONAL SYMBOLS $\nabla_A = 0$ $\nabla_E = 0$ $\nabla_P = 0$	THIS DRAWING CONTAINS INFORMATION THAT IS PROPRIETARY TO MOLEX ELECTRONIC TECHNOLOGIES, LLC AND SHOULD NOT BE USED WITHOUT WRITTEN PERMISSION		CURRENT REV DESC:		
	DIMENSION UNITS	SCALE	EC NO: 730246		
	mm	2:1	DRWN: AMRUTH 2022/11/29		
	GENERAL TOLERANCES (UNLESS SPECIFIED)		CHK'D: SMALLESHAPPA 2022/11/29		
ANGULAR TOL ± 1.0°		APPR: SCHIEN 2022/11/30		PRODUCT CUSTOMER DRAWING	
4 PLACES ±		INITIAL REVISION:		DOCUMENT NUMBER	
3 PLACES ±		DRWN: PKH 2022/04/07		747548820	
2 PLACES ± 0.13		APPR: SCHIEN 2022/05/26		DOC TYPE	
1 PLACE ± 0.25		MATERIAL NUMBER		PSD	
0 PLACES ±		CUSTOMER		ASY	
DRAFT WHERE APPLICABLE MUST REMAIN WITHIN DIMENSIONS		THIRD ANGLE PROJECTION	DRAWING	SERIES	REVISION
			C-SIZE	74754	B1
			SEE P/N TABLE	SHEET NUMBER	
				2 OF 7	

1. HEIGHT OF HEATSINK WITH MODULE INSERTED. DIMENSION MAY BE LESS DUE TO MODULE AND HEATSINK VARIATIONS.

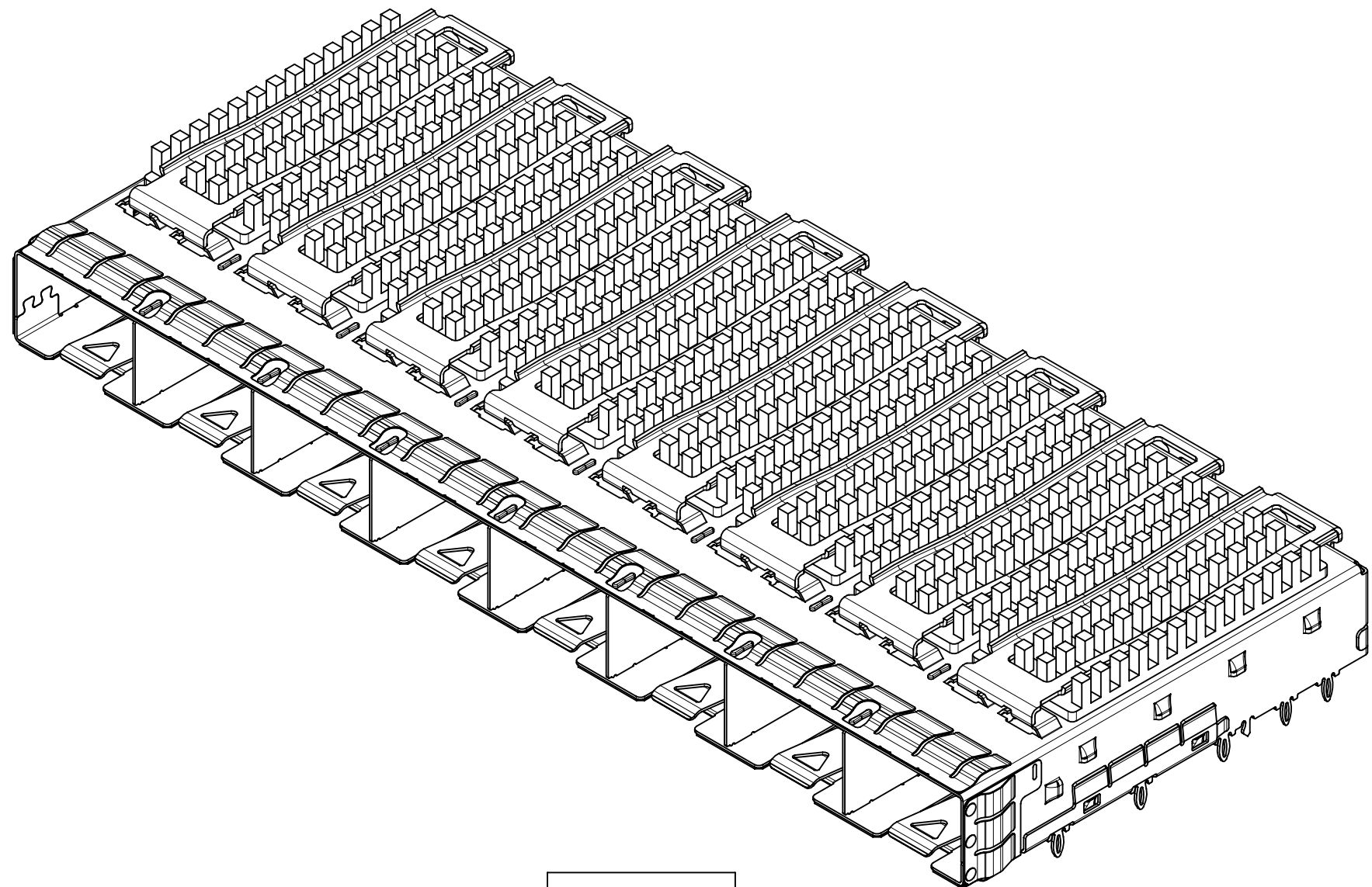
DOCUMENT STATUS	P1	RELEASE DATE	2022/11/30	02:34:56
-----------------	----	--------------	------------	----------



747548820



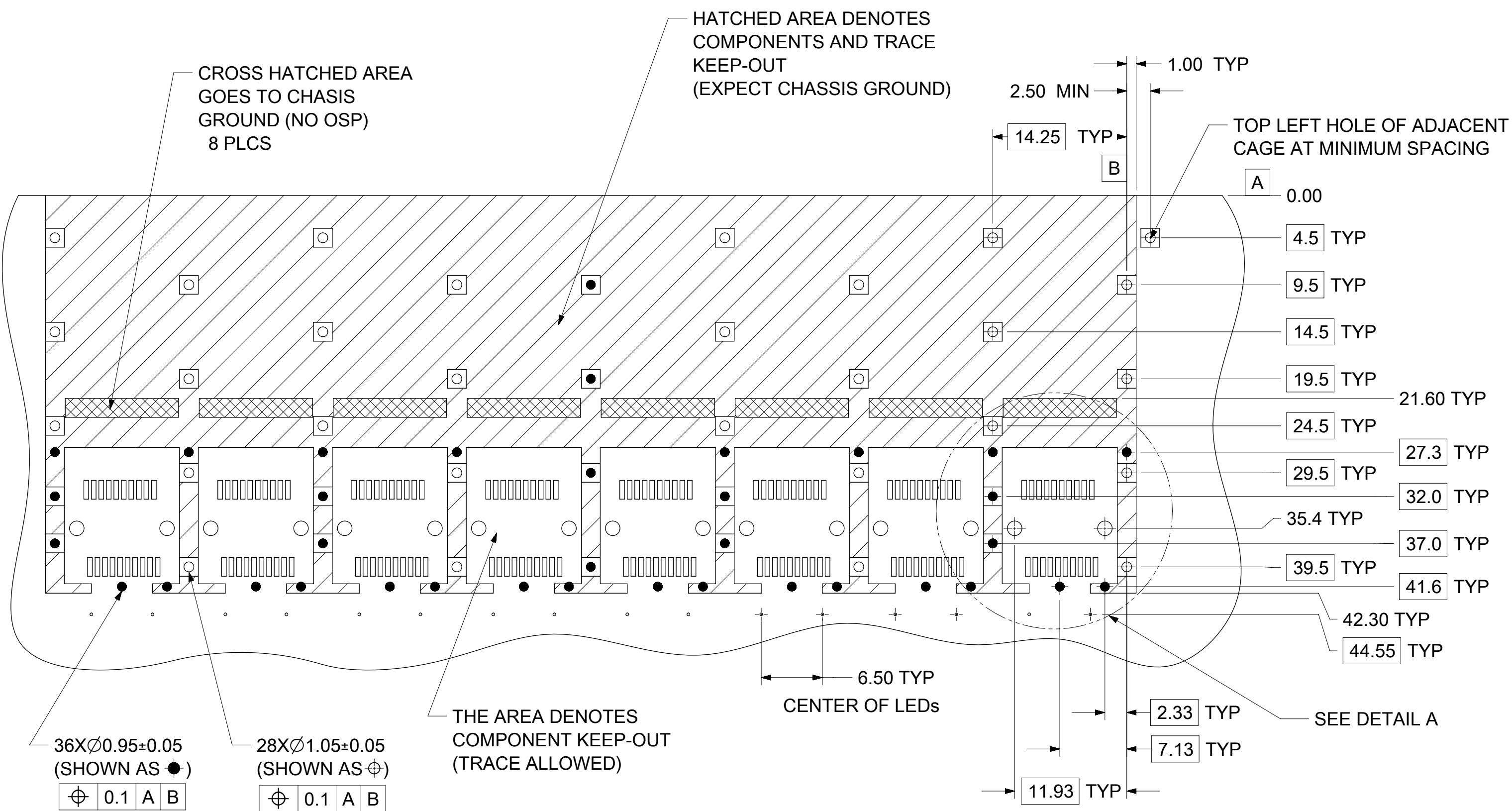
747548821



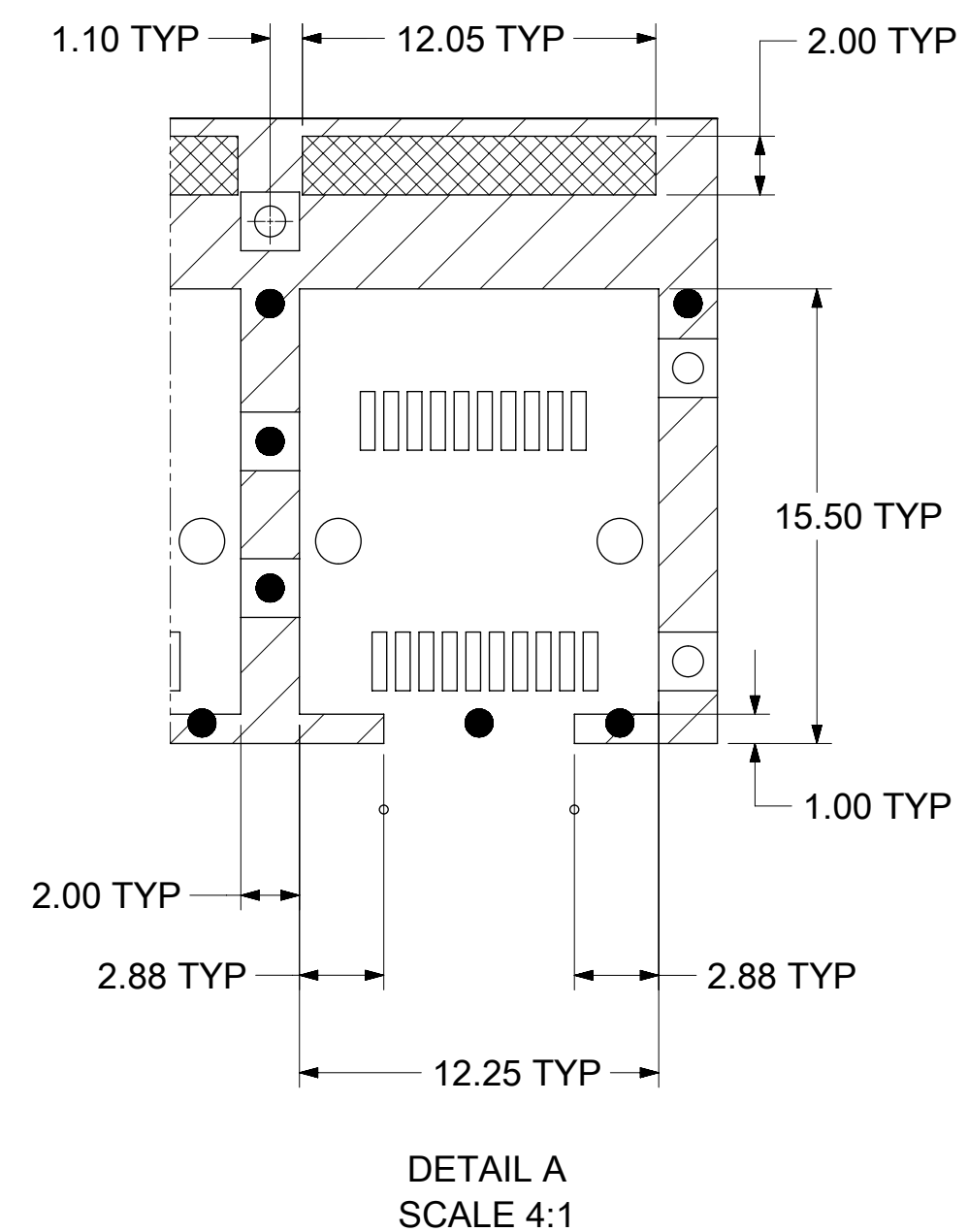
747547820

FUNCTIONAL SYMBOLS $\nabla_A = 0$ $\nabla_C = 0$ $\nabla_P = 0$ DIVISIONAL SYMBOLS	THIS DRAWING CONTAINS INFORMATION THAT IS PROPRIETARY TO MOLEX ELECTRONIC TECHNOLOGIES, LLC AND SHOULD NOT BE USED WITHOUT WRITTEN PERMISSION														
	DIMENSION UNITS		SCALE		CURRENT REV DESC:										
	MM		2:1		EC NO: 730246 DRWN: AMRUTH 2022/11/29 CHK'D: SMALLESHAPPA 2022/11/29 APPR: SCHIEN 2022/11/30										
	GENERAL TOLERANCES (UNLESS SPECIFIED)														
4 PLACES		±		±	INITIAL REVISION: DRWN: PKH 2022/04/07 APPR: SCHIEN 2022/05/26						DOCUMENT NUMBER		DOC TYPE	DOC PART	REVISION
3 PLACES		±		±							747548820		PSD	ASY	B1
2 PLACES		±	0.13	±							SEE P/N TABLE		SHEET NUMBER		
1 PLACE		±	0.25	±									3 OF 7		
0 PLACES		±		±											
ANGULAR TOL		±	1.0 °	THIRD ANGLE PROJECTION						MATERIAL NUMBER		CUSTOMER		SHEET NUMBER	
DRAFT WHERE APPLICABLE MUST REMAIN WITHIN DIMENSIONS						DRAWING		SERIES		MATERIAL NUMBER		CUSTOMER		SHEET NUMBER	
				C-SIZE		74754		SEE P/N TABLE						3 OF 7	

PCB LAYOUT FOR SINGLE SIDE MOUNT



HOST CONNECTOR DETAIL

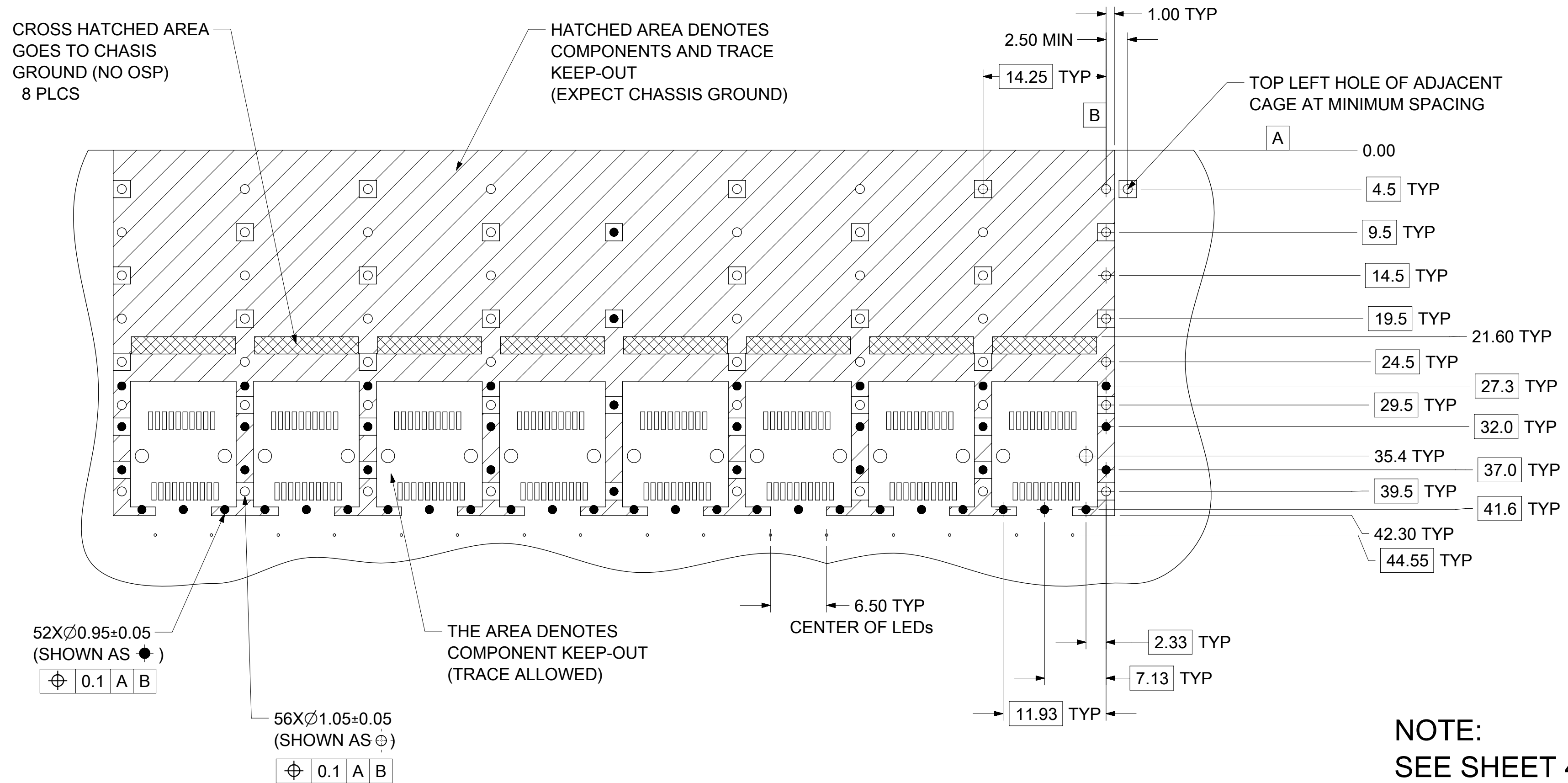


- NOTES:
1. PADS AND VIAS CONNECT TO CHASSIS GROUND (RECOMMEND PADS TO BE 2.00MM SQUARE)
 2. RECOMMENDED THRU HOLE PLATING INCLUDES HASL, OSP, OR IMMERSION (GOLD, SILVER, OR TIN).
 3. CONNECTOR PAD LAYOUT PER SFP+ MSA WILL ACCOMMODATE MOLEX CONNECTOR SERIES 170382 OR EQUIVALENT.
 4. HOLE PATTERN REPEATS FOR EACH PORT. SPACING BETWEEN PORTS IS 14.25MM.
 5. MIN PCB THICKNESS FOR SINGLE SIDED USE: 1.57MM.

FUNCTIONAL SYMBOLS	THIS DRAWING CONTAINS INFORMATION THAT IS PROPRIETARY TO MOLEX ELECTRONIC TECHNOLOGIES, LLC AND SHOULD NOT BE USED WITHOUT WRITTEN PERMISSION		CURRENT REV DESC:						
	DIMENSION UNITS	SCALE							EC NO: 730246
$\overline{A} = 0$	mm	2.5:1	DRWN: AMRUTH		2022/11/29				
$\overline{C} = 0$	GENERAL TOLERANCES (UNLESS SPECIFIED)		CHK'D: SMALLESHAPPA		2022/11/29				
$\overline{P} = 0$	ANGULAR TOL ± 1.0°		APPR: SCHIEN		2022/11/30				
DIVISIONAL SYMBOLS	4 PLACES ±		INITIAL REVISION:		DOCUMENT NUMBER				
	3 PLACES ±		DRWN: PKH		747548820		DOC TYPE		
	2 PLACES ± 0.13		APPR: SCHIEN		PSD		DOC PART		
	1 PLACE ± 0.25		2022/04/07		ASY		REVISION		
0 PLACES ±		2022/05/26		B1		SHEET NUMBER			
DRAFT WHERE APPLICABLE MUST REMAIN WITHIN DIMENSIONS		THIRD ANGLE PROJECTION		DRAWING		MATERIAL NUMBER		CUSTOMER	
				C-SIZE		SERIES		SEE P/N TABLE	
				74754		CUSTOMER		4 OF 7	

DOCUMENT STATUS	P1	RELEASE DATE	2022/11/30	02:34:56
-----------------	----	--------------	------------	----------

PCB LAYOUT FOR BELLY TO BELLY MOUNT



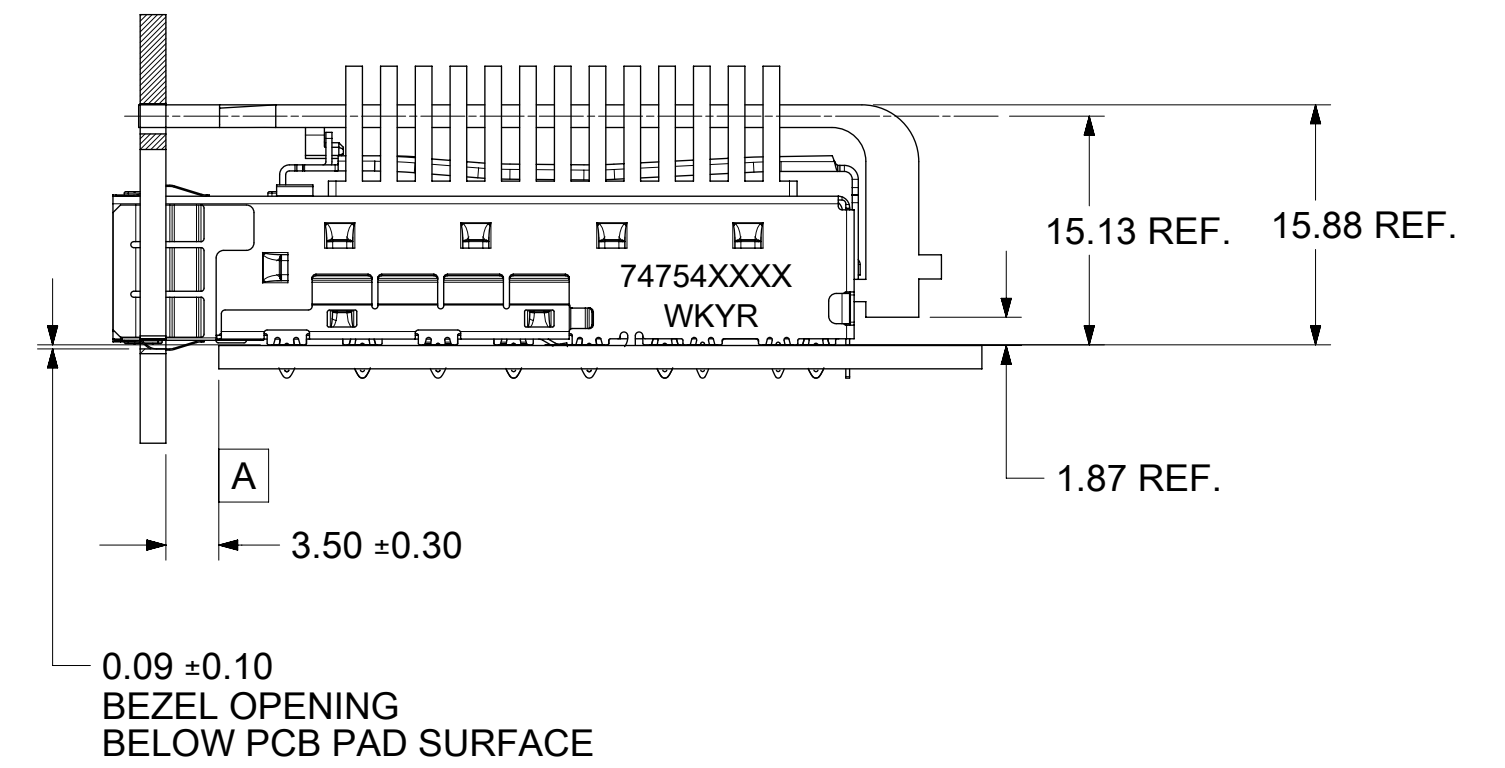
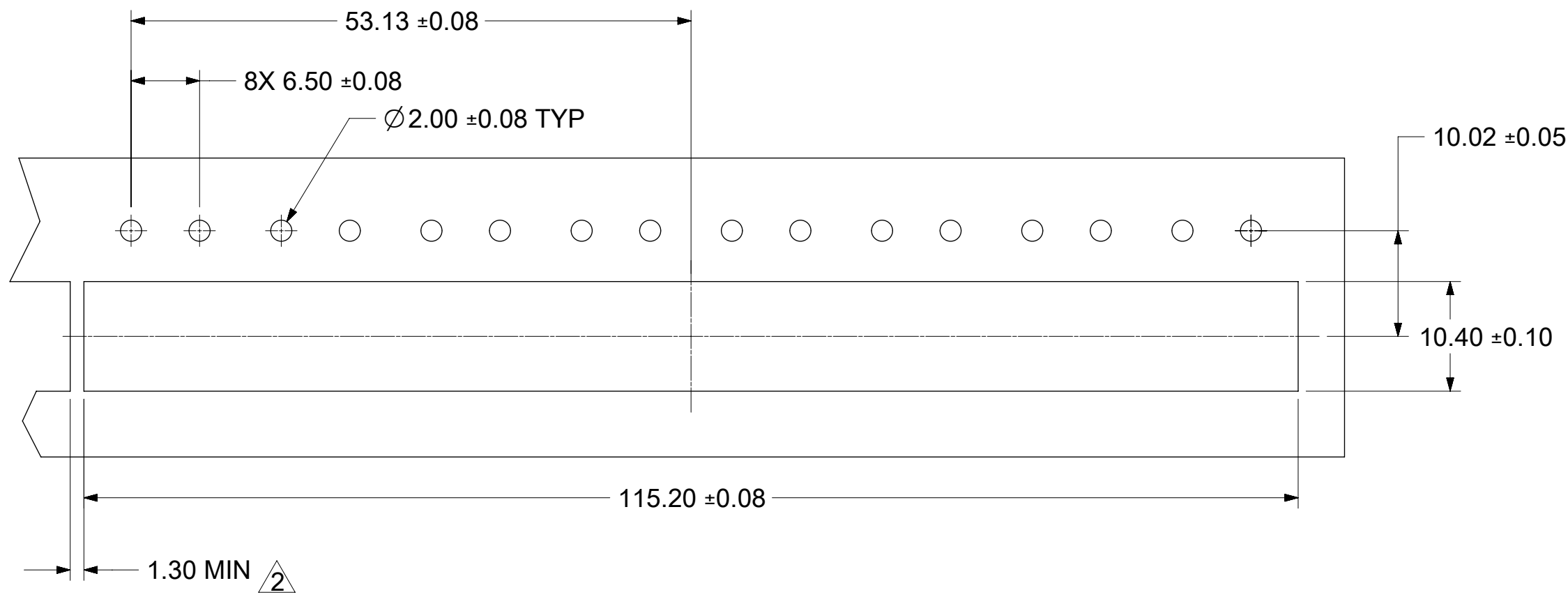
NOTE:
SEE SHEET 4 FOR
HOST CONNECTOR DETAIL

- NOTES:**
- PADS AND VIAS CONNECT TO CHASSIS GROUND (RECOMMEND PADS TO BE 2.00MM SQUARE)
 - RECOMMENDED THRU HOLE PLATING INCLUDES HASL, OSP, OR IMMERSION (GOLD, SILVER, OR TIN).
 - CONNECTOR PAD LAYOUT PER SFP+ MSA WILL ACCOMMODATE MOLEX CONNETOR SERIES 170382 OR EQUIVALENT.
 - HOLE PATTERN REPEATS FOR EACH PORT. SPACING BETWEEN PORTS IS 14.25MM.
 - MIN PCB THICKNESS FOR BELLY TO BELLY USE: 2.25MM.

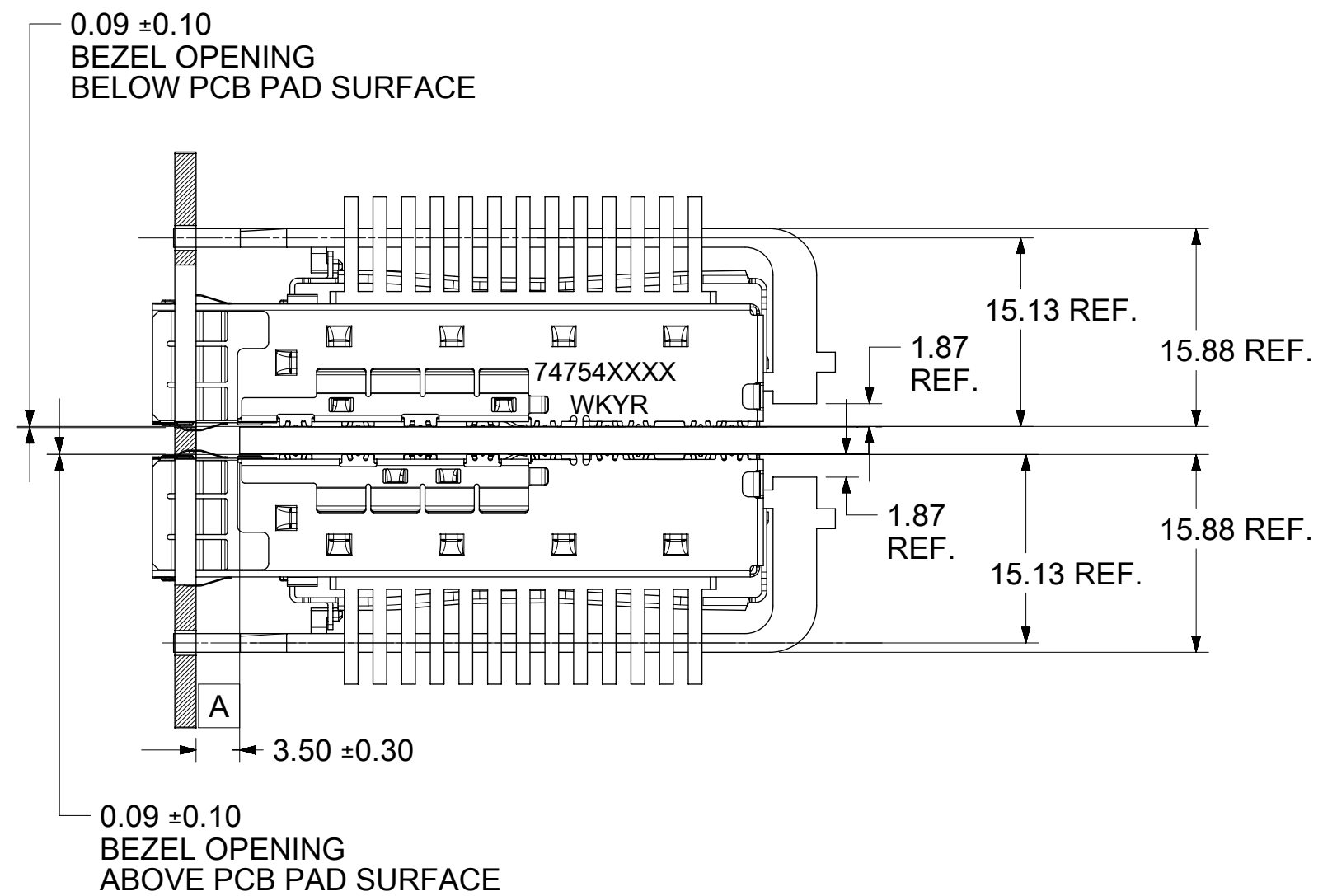
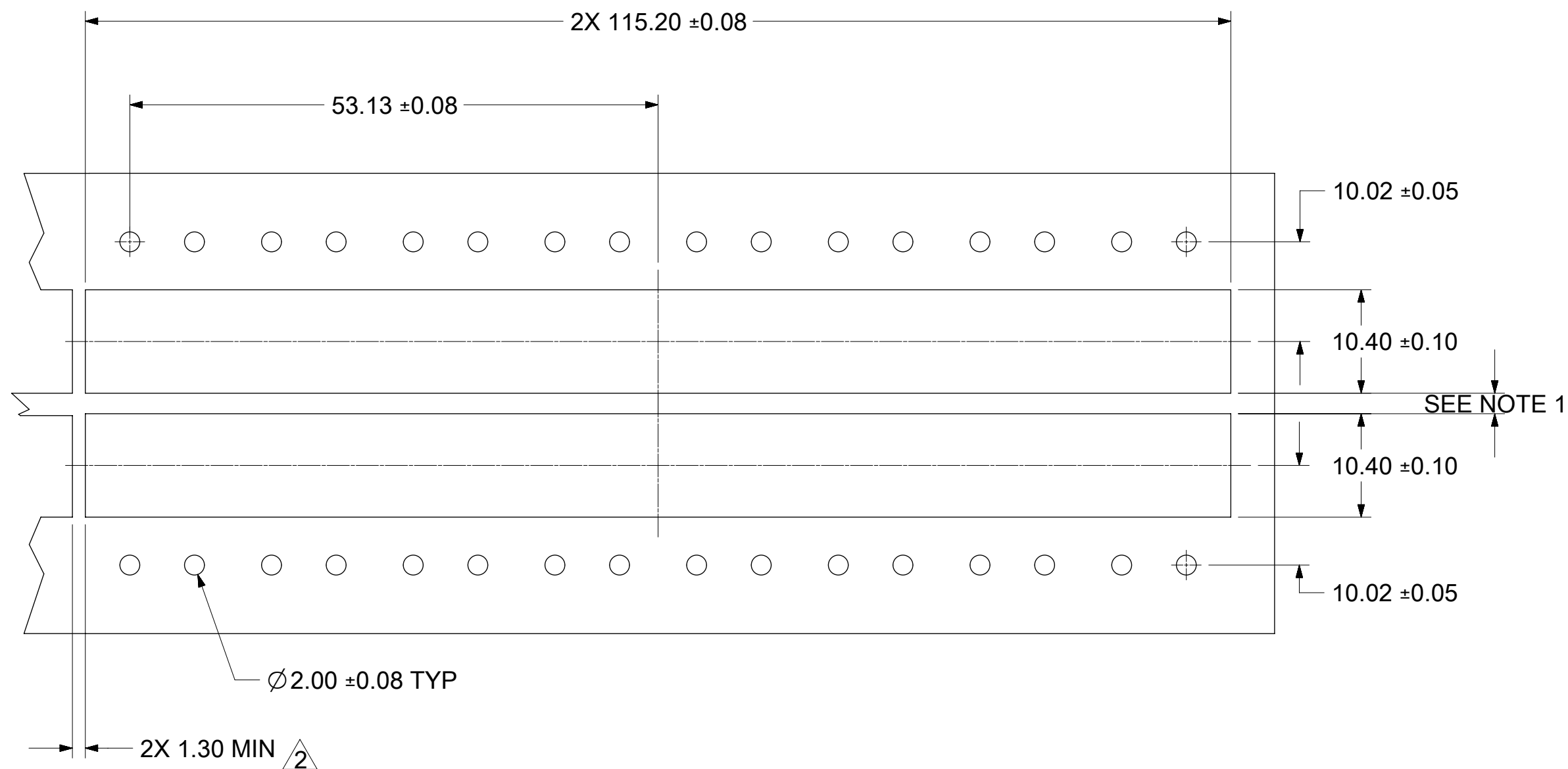
FUNCTIONAL SYMBOLS	THIS DRAWING CONTAINS INFORMATION THAT IS PROPRIETARY TO MOLEX ELECTRONIC TECHNOLOGIES, LLC AND SHOULD NOT BE USED WITHOUT WRITTEN PERMISSION		CURRENT REV DESC:						
	DIMENSION UNITS	SCALE							EC NO: 730246
$\frac{F}{A} = 0$	mm	2.5:1	DRWN: AMRUTH		2022/11/29				
$\frac{F}{C} = 0$	GENERAL TOLERANCES (UNLESS SPECIFIED)		CHK'D: SMALLESHAPPA		2022/11/29				
$\frac{F}{P} = 0$	ANGULAR TOL $\pm 1.0^\circ$		APPR: SCHIEN		2022/11/30				
DIVISIONAL SYMBOLS	4 PLACES \pm		INITIAL REVISION:		DOCUMENT NUMBER				
	3 PLACES \pm		DRWN: PKH		747548820		DOC TYPE	DOC PART	REVISION
	2 PLACES ± 0.13		APPR: SCHIEN		PSD		ASY	B1	
	1 PLACE ± 0.25		2022/04/07		MATERIAL NUMBER		CUSTOMER		SHEET NUMBER
0 PLACES \pm		2022/05/26		SEE P/N TABLE				5 OF 7	
DRAFT WHERE APPLICABLE MUST REMAIN WITHIN DIMENSIONS		THIRD ANGLE PROJECTION		DRAWING	SERIES	C-SIZE		74754	

DOCUMENT STATUS	P1	RELEASE DATE	2022/11/30	02:34:56
-----------------	----	--------------	------------	----------

BEZEL AND BOARD POSITION DIMENSIONS FOR SINGLE SIDE MOUNTING



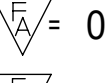
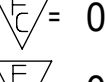



BEZEL AND BOARD POSITION DIMENSIONS FOR BELLY TO BELLY MOUNTING



NOTE:
 1. PCB THICKNESS VARIATION MUST BE CONSIDERED WHEN DETERMINING BEZEL OPENING SIZE AND LOCATION.
 2. THIS DIM IS FOR REF ONLY USER CAN MODIFY IT DEPENDS ON APPLICATION, HOLE OF ADJACENT CAGE ON PCB LAYOUT VARIES BASED ON MODIFICATION.

FUNCTIONAL SYMBOLS	THIS DRAWING CONTAINS INFORMATION THAT IS PROPRIETARY TO MOLEX ELECTRONIC TECHNOLOGIES, LLC AND SHOULD NOT BE USED WITHOUT WRITTEN PERMISSION		
	DIMENSION UNITS	SCALE	CURRENT REV DESC:
$\frac{F}{A} = 0$	mm	2:1	
$\frac{F}{C} = 0$	GENERAL TOLERANCES (UNLESS SPECIFIED)		
$\frac{F}{P} = 0$	ANGULAR TOL $\pm 1.0^\circ$		
DIVISIONAL SYMBOLS	4 PLACES	\pm	EC NO: 730246
	3 PLACES	\pm	DRWN: AMRUTH 2022/11/29
	2 PLACES	± 0.13	CHK'D: SMALLESHAPPA 2022/11/29
	1 PLACE	± 0.25	APPR: SCHIEN 2022/11/30
	0 PLACES	\pm	INITIAL REVISION:
	DRAFT WHERE APPLICABLE MUST REMAIN WITHIN DIMENSIONS	THIRD ANGLE PROJECTION	DRAWING SERIES
			C-SIZE 74754
DOCUMENT STATUS		P1	RELEASE DATE
2022/11/30		02:34:56	
MATERIAL NUMBER		CUSTOMER	SHEET NUMBER
747548820		SEE P/N TABLE	6 OF 7
PRODUCT CUSTOMER DRAWING		DOCUMENT NUMBER	DOC TYPE DOC PART REVISION
		747548820	PSD ASY B1

REV	DATE	DESCRIPTION
A	2022/05/19	INITIAL RELEASE
B	2022/09/28	SHEET 01 : C12 : P/N 747548821 IS ADDED TO THE P/N TABLE. C06 : C05 : DIM "A" OF 747548820 CHANGED FROM 20.0 TO 18.43. C04 : DIM "B" COLUMN ADDED. SHEET 03 : NEW SHEET ADDED TO SHOW THE ISO VIEW OF P/N 747548820,747548821 & 747547820.
B1	2022/11/29	SHEET 01: CORRECTED DIM "B" OF 747548821 TO 3.70.

FUNCTIONAL SYMBOLS  = 0  = 0  = 0 DIVISIONAL SYMBOLS 3 PLACES ± 2 PLACES ± 0.13 1 PLACE ± 0.25 0 PLACES ±	THIS DRAWING CONTAINS INFORMATION THAT IS PROPRIETARY TO MOLEX ELECTRONIC TECHNOLOGIES, LLC AND SHOULD NOT BE USED WITHOUT WRITTEN PERMISSION			CURRENT REV DESC: EC NO: 730246 DRWN: AMRUTH 2022/11/29 CHK'D: SMALLESHAPPA 2022/11/29 APPR: SCHIEN 2022/11/30 INITIAL REVISION: DRWN: PKH 2022/04/07 APPR: SCHIEN 2022/05/26	 SFP+ 1X8 CAGE ASSY PRESS FIT TYPE, W/SUS SF, HEAT SINK & LIGHT PIPE PRODUCT CUSTOMER DRAWING			
	DIMENSION UNITS mm	SCALE 1:1	GENERAL TOLERANCES (UNLESS SPECIFIED) ANGULAR TOL ± 1.0° 4 PLACES ±					DOCUMENT NUMBER 747548820
	DRAFT WHERE APPLICABLE MUST REMAIN WITHIN DIMENSIONS	THIRD ANGLE PROJECTION 	DRAWING C-SIZE		SERIES 74754	MATERIAL NUMBER SEE P/N TABLE	CUSTOMER	SHEET NUMBER 7 OF 7

DOCUMENT STATUS	P1	RELEASE DATE	2022/11/30	02:34:56
-----------------	----	--------------	------------	----------