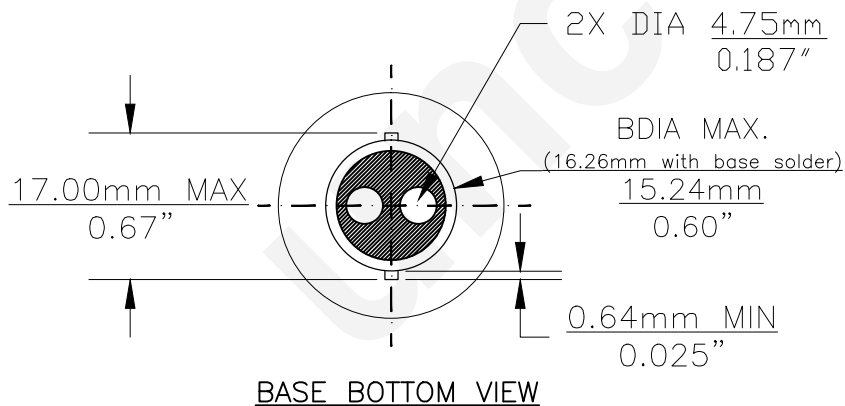
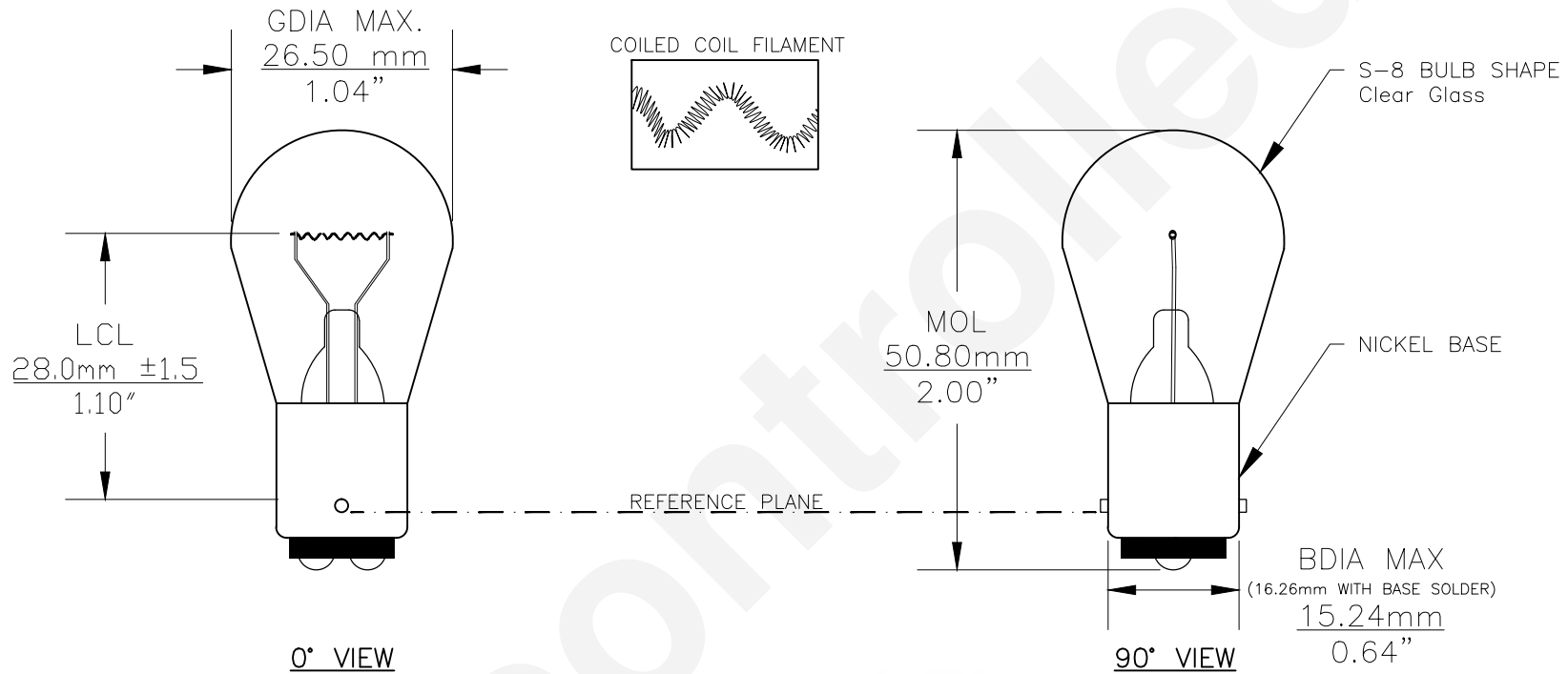




PART NO.	BASE TYPE	DESIGN VOLTS	DESIGN AMPS	MSCD	FILAMENT TYPE	AVERAGE LIFE HOURS	REVISIONS			
							REV #	DESCRIPTION	DATE	APPROVED
7439	D.C. BAYONET (BA15d)	24.0V	0.83±10%	23.5±15%	CC-6	200	1	ISSUED	10/23/2014	R.M.



Note: Made according to SAE specifications

UNLESS OTHERWISE SPECIFIED: DIMENSIONS ARE IN INCHES TOLERANCES		CEC INDUSTRIES LTD			
DECIMALS .XX ± .05		599 BOND STREET		LINCOLNSHIRE, IL 60069	
ANGULAR .XXX ± .010		TITLE LIGHT BULB NO. 7439			
FRACTIONAL ± 1/64		CHECKED ROSE MEDINA		DATE 10/23/2014	
DRAWN		SIZE A		FSCM NO. 7439	
DESIGN		SCALE		PLOT SCALE	
MATERIAL		FILE 7439.pdf		SHEET 1 OF 1	
		DRAWING NOT TO SCALE			