

1469265-5 ✓ ACTIVE

Z-PACK 2mm HM

TE Internal #: 1469265-5

Backplane Guide Hardware, Guide Pin Module, Z-PACK 2mm HM

[View on TE.com >](#)



Connectors > PCB Connectors > Backplane Connectors > Backplane Guide Hardware



Connector Guide Hardware Type: **Guide Pin Module**

Features

Product Type Features

Connector Guide Hardware Type	Guide Pin Module
-------------------------------	------------------

Configuration Features

Key Orientation	180°
PCB Mount Orientation	Right Angle

Body Features

Guide Component Plating Material Finish Process	Chromate Conversion Coating
Guide Component Base Material	Zinc Alloy Die Casting

Termination Features

Compatible With Backplane Interface Type	MULTI GIG RT2J
------------------------------------------	----------------

Mechanical Attachment

Mating Alignment Type	Keyed
Mating Alignment	With

Packaging Features

Packaging Quantity	60
Packaging Method	Box

Product Compliance

[For compliance documentation, visit the product page on TE.com>](#)



EU RoHS Directive 2011/65/EU	Compliant
EU ELV Directive 2000/53/EC	Compliant
China RoHS 2 Directive MIIT Order No 32, 2016	No Restricted Materials Above Threshold
EU REACH Regulation (EC) No. 1907/2006	Current ECHA Candidate List: JUNE 2023 (235) Candidate List Declared Against: JAN 2022 (223) Does not contain REACH SVHC
Halogen Content	BFR/CFR/PVC Free, but Br/Cl >900 ppm in other sources.
Solder Process Capability	Not applicable for solder process capability

Product Compliance Disclaimer

This information is provided based on reasonable inquiry of our suppliers and represents our current actual knowledge based on the information they provided. This information is subject to change. The part numbers that TE has identified as EU RoHS compliant have a maximum concentration of 0.1% by weight in homogenous materials for lead, hexavalent chromium, mercury, PBB, PBDE, DBP, BBP, DEHP, DIBP, and 0.01% for cadmium, or qualify for an exemption to these limits as defined in the Annexes of Directive 2011/65/EU (RoHS2). Finished electrical and electronic equipment products will be CE marked as required by Directive 2011/65/EU. Components may not be CE marked. Additionally, the part numbers that TE has identified as EU ELV compliant have a maximum concentration of 0.1% by weight in homogenous materials for lead, hexavalent chromium, and mercury, and 0.01% for cadmium, or qualify for an exemption to these limits as defined in the Annexes of Directive 2000/53/EC (ELV). Regarding the REACH Regulation, the information TE provides on SVHC in articles for this part number is based on the latest European Chemicals Agency (ECHA) 'Guidance on requirements for substances in articles' posted at this URL: <https://echa.europa.eu/guidance-documents/guidance-on-reach>

Compatible Parts

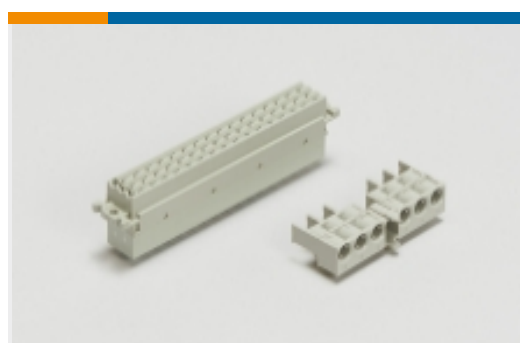


TE Part # 5223986-5
UPM KEYED GUIDE MODULE

Also in the Series | Z-PACK 2mm HM



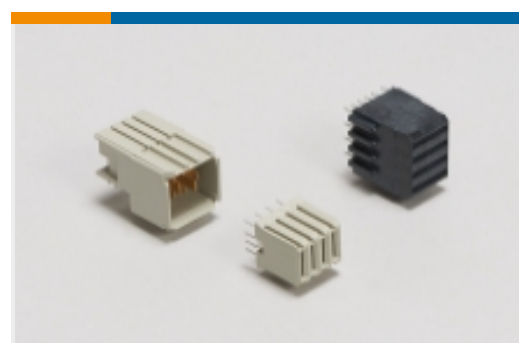
Backplane Coding Keys(60)



Backplane Connector Housings(4)



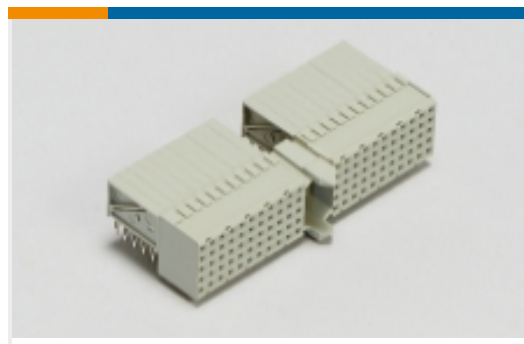
Backplane Guide Hardware(37)



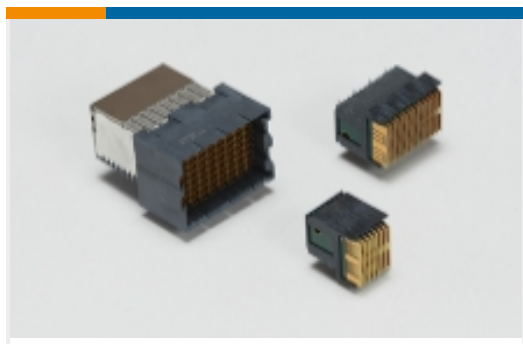
Backplane Power Connectors(6)



Board-to-Board Connector Contacts(2)



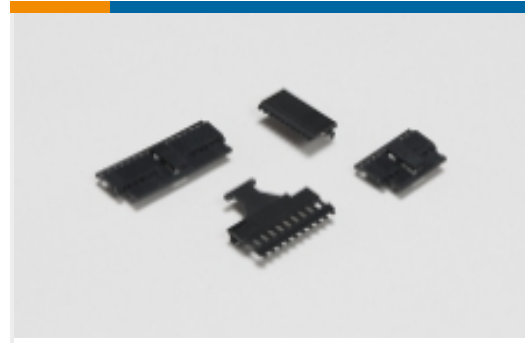
Hard Metric Backplane Connectors (269)



High Speed Backplane Connectors(1)



Insertion & Extraction Tools(2)



PCB Connector Covers(4)



PCB Connector Shrouds(39)

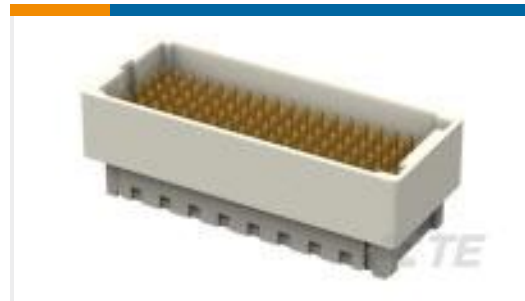


PCB Ferrules & Shields(19)



Rectangular Power Connectors(87)

Customers Also Bought



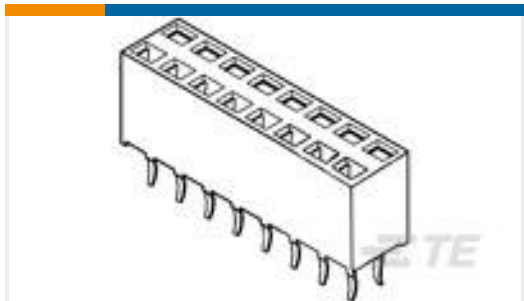
TE Part #2102060-2
Mezalok, Pin, 114 p, 50 Au, LF



TE Part #2-1609113-9
6CUFS1=F8300



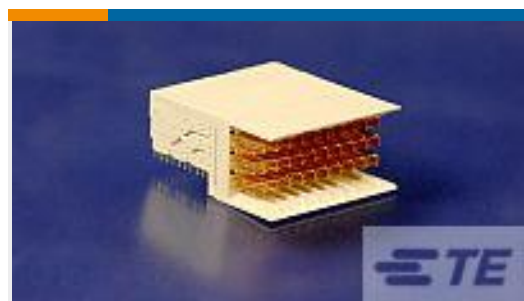
TE Part #2227671-3
zQSFP+ STACKED RECEPTACLE ASSEMBLY 2X3



TE Part #1-215309-0
2X10P HV100 REC CON. TE, 8.5MM



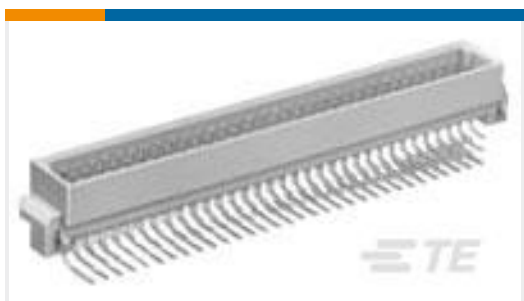
TE Part #5223986-5
UPM KEYED GUIDE MODULE



TE Part #6469183-1
HMZD 3PR RA HDR 60P ASSY LF



TE Part #1888250-4
low profile rj45, 1x1 grn/grn



TE Part #8-1393644-3
V42254B1200C910=PC612 MESSERLE



TE Part #2119538-1
CCI 1.5MM PITCH EMIX CONN 30-24 ASSY

Documents



CAD Files

Customer View Model

[ENG_CVM_CVM_1469265-5_A.2d_dxf.zip](#)

English

3D PDF

3D

Customer View Model

[ENG_CVM_CVM_1469265-5_A.3d_igs.zip](#)

English

Customer View Model

[ENG_CVM_CVM_1469265-5_A.3d_stp.zip](#)

English

By downloading the CAD file I accept and agree to the [Terms and Conditions](#) of use.

Datasheets & Catalog Pages

[POWER_CONNECTORS_CATALOG_SEC01_BOARD_TO_BOARD](#)

English

[2_PIECE_POWER_CONNECTORS_qrg_4-1773458-1](#)

English

Product Specifications

[Engineering Report](#)

English