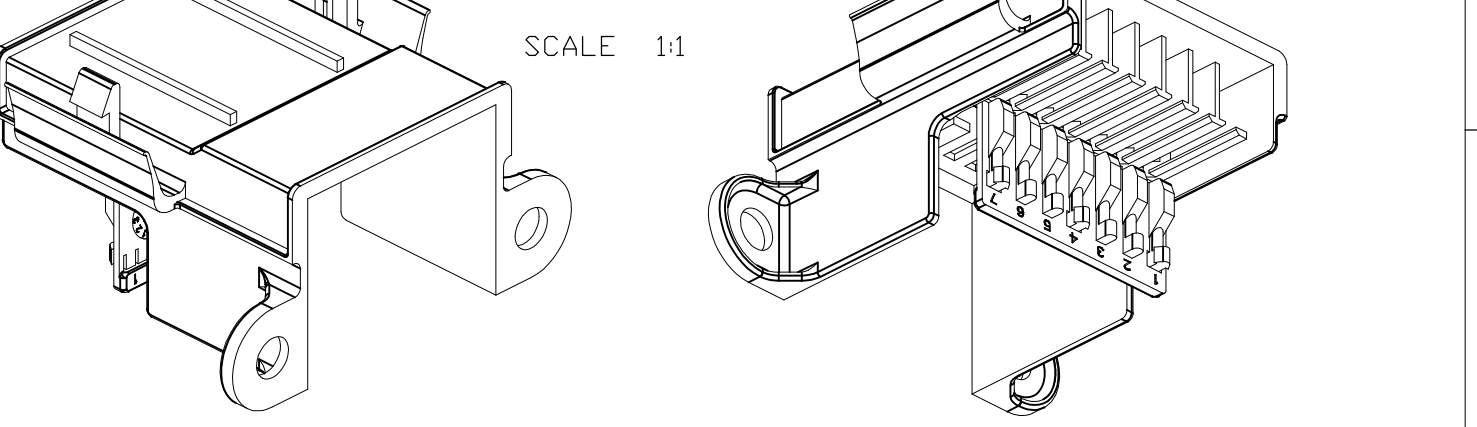
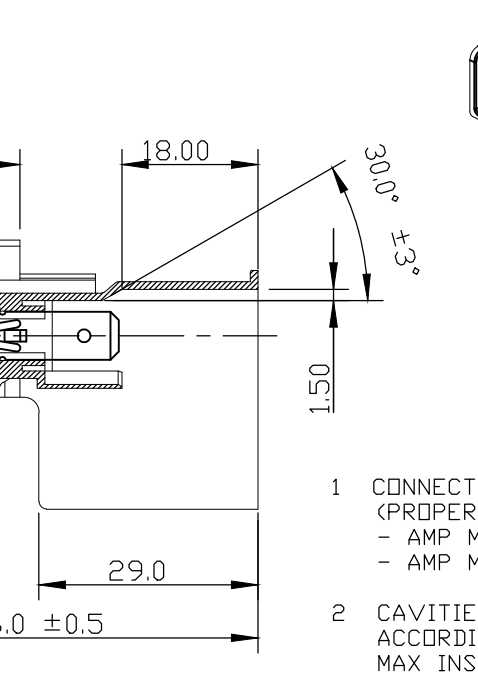
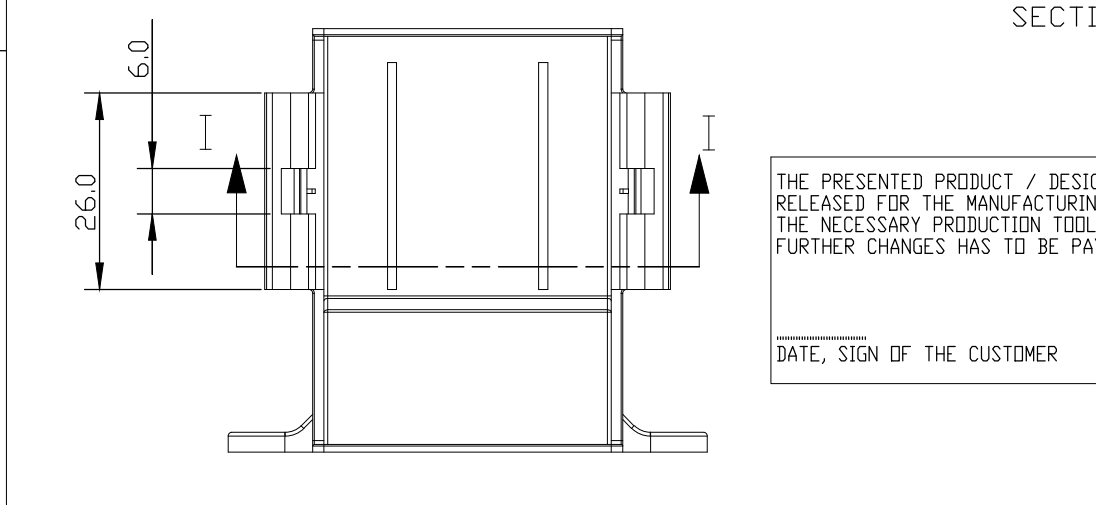
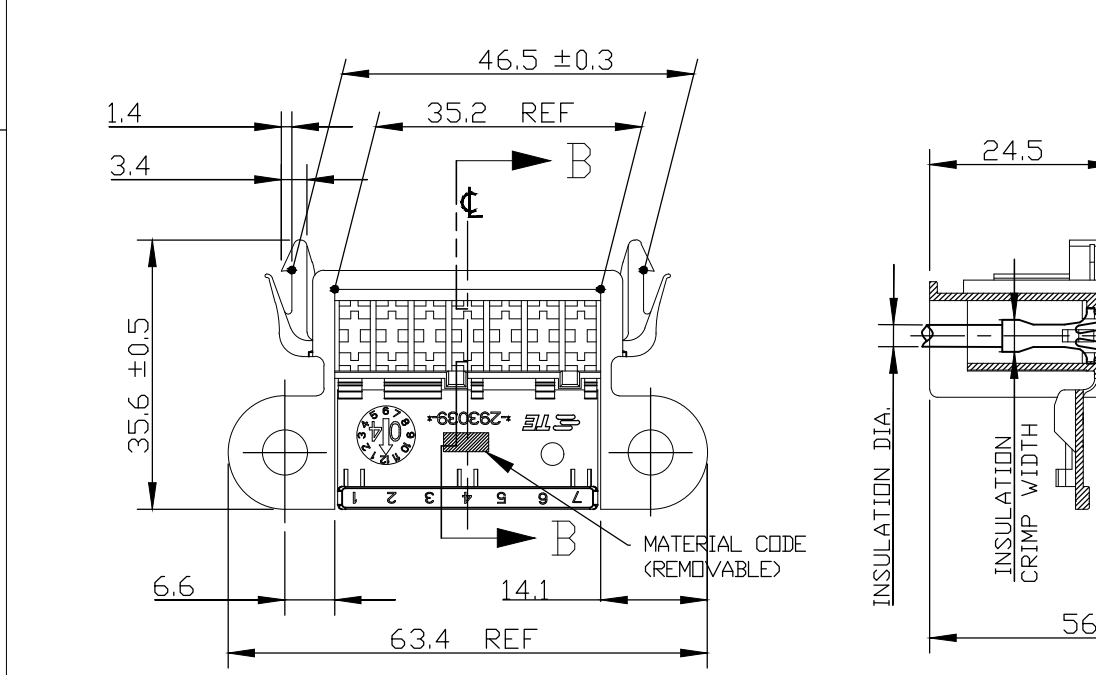
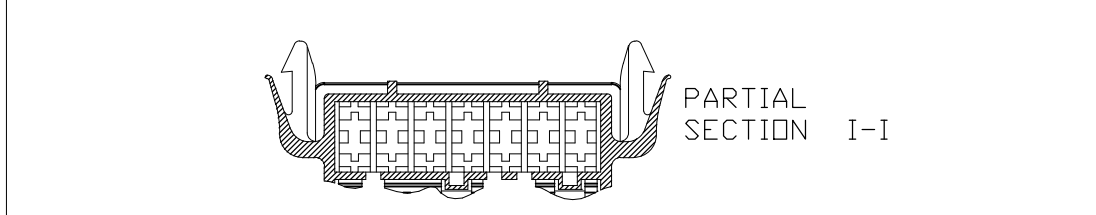
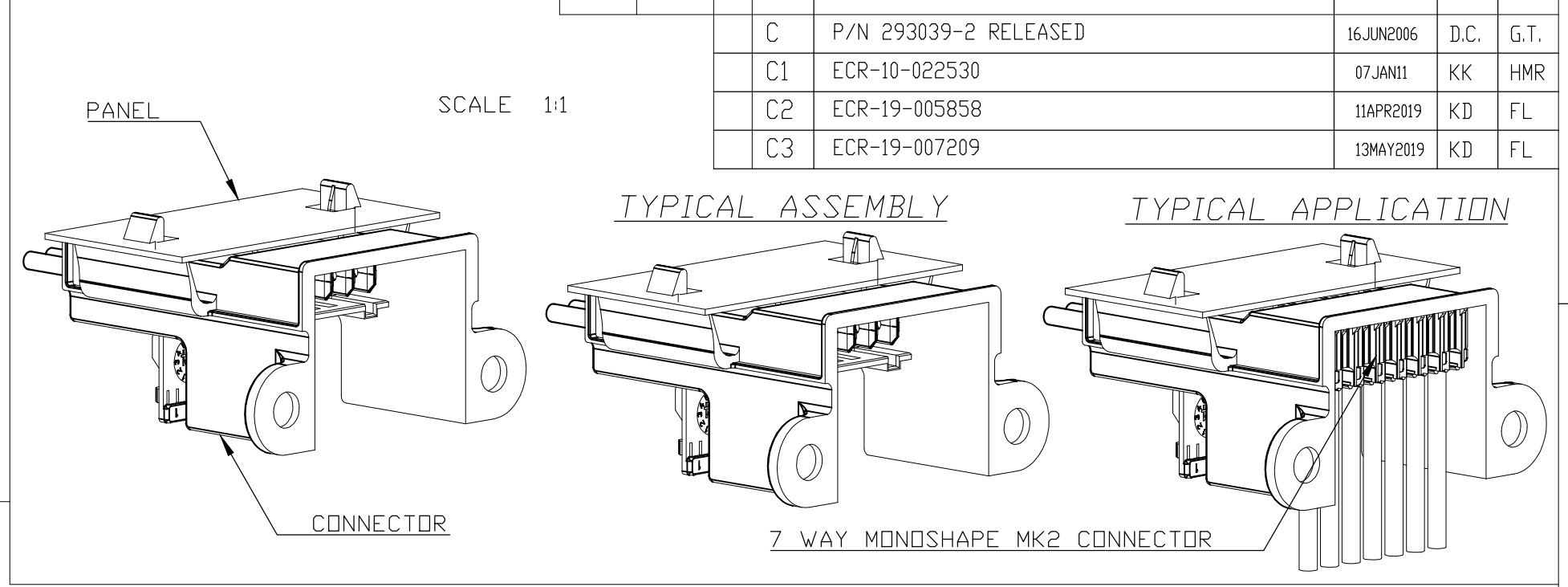
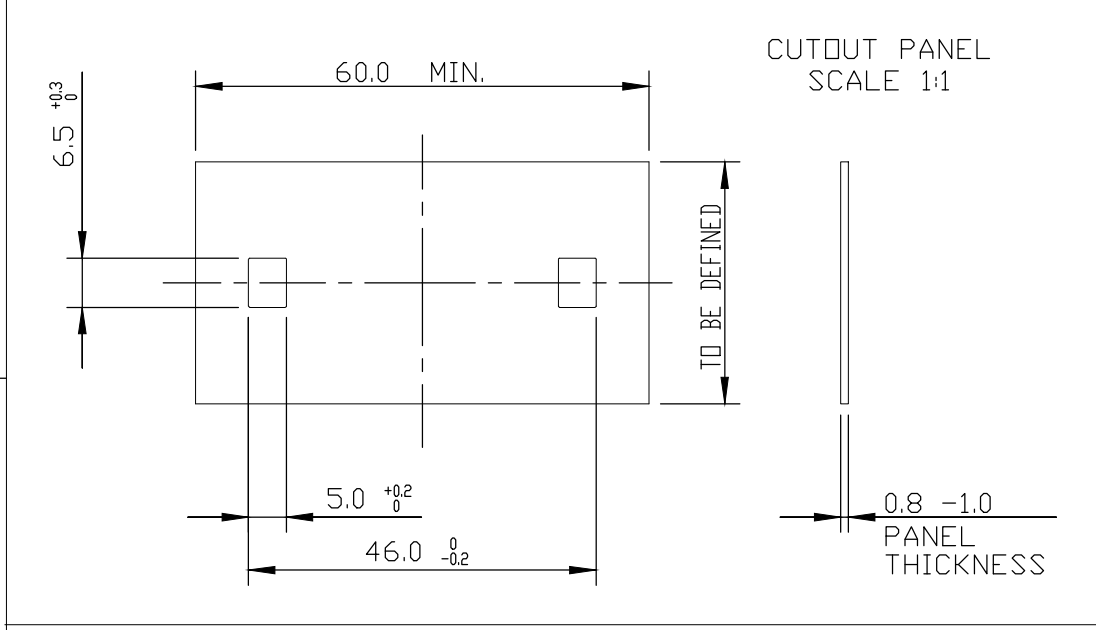


THIS DRAWING IS UNPUBLISHED. RELEASED FOR PUBLICATION 2004  
 © COPYRIGHT 2004 BY TYCO ELECTRONICS CORPORATION. ALL RIGHTS RESERVED.

LOC	DIST	REVISIONS					
		P	LTR	DESCRIPTION	DATE	DWN	APVD
I	-	C		P/N 293039-2 RELEASED	16JUN2006	D.C.	G.T.
		C1		ECR-10-022530	07JAN11	KK	HMR
		C2		ECR-19-005858	11APR2019	KD	FL
		C3		ECR-19-007209	13MAY2019	KD	FL



- CONNECTOR HOUSING SUITABLE FOR MATING WITH:  
 (PROPERLY CODED WITH RELEVANT APPLICATION MACHINE)  
 - AMP MOND SHAPE Mark II TAB CONNECTOR, P/N x-284477-2  
 - AMP MOND SHAPE Mark I TAB CONNECTOR, P/N 1-293004-7
- CAVITIES SUITABLE FOR .250" SERIES FAST-IN-ON TAB CONTACT  
 ACCORDING TO NORM "DIN 46 343"  
 MAX INS. DIA.: 2.8 mm; MAX INS. CRIMP WIDTH: 3.3 mm  
 (E.G. TE P/N 293041-2)

3 OBSOLETE      4 PRELIMINARY PART

MATERIAL	P/N	REV.
PA66 UNFILLED, NATURAL UL94-V2, GW 750°C NO FLAME	293039-4	1
PA UNFILLED ACCORDING TO UL94-V2, GW 750°C NO FLAME, COLOUR NATURAL	293039-2	C
PA66/6 UNFILLED ACCORDING TO UL94-V0 COLOUR NATURAL	293039-1	B

THE PRESENTED PRODUCT / DESIGN WILL BE RELEASED FOR THE MANUFACTURING OF THE NECESSARY PRODUCTION TOOLS HEREBY. FURTHER CHANGES HAS TO BE PAID BY CUSTOMER.  
 DATE, SIGN OF THE CUSTOMER

THIS DRAWING IS A CONTROLLED DOCUMENT FOR TYCO ELECTRONICS CORPORATION IT IS SUBJECT TO CHANGE AND THE CONTROLLING ENGINEERING ORGANIZATION SHOULD BE CONTACTED FOR THE LATEST REVISION.

DIMENSIONS:	TOLERANCES UNLESS OTHERWISE SPECIFIED:
mm	
0 PLC	±0.5
1 PLC	±0.3
2 PLC	±0.1
3 PLC	±
4 PLC	±
ANGLES	±1°
MATERIAL	FINISH
SEE TABLE	-

10DEC2004  
D. CHIARELLI  
10DEC2004  
G. TURCO  
10DEC2004  
G. TURCO

**STE** TE Connectivity

NAME: 7 POS. F.F. TAB HOUSING MOTOR MOUNT, WITH WATER PROTECTION

SIZE: A3    CAGE CODE: 00779    DRAWING NO: C-293039    RESTRICTED TO: -

WEIGHT: 13,2 g (ESTIMATED)

CUSTOMER DRAWING    SCALE: 1:1    SHEET: 1 OF 1    REV: C3