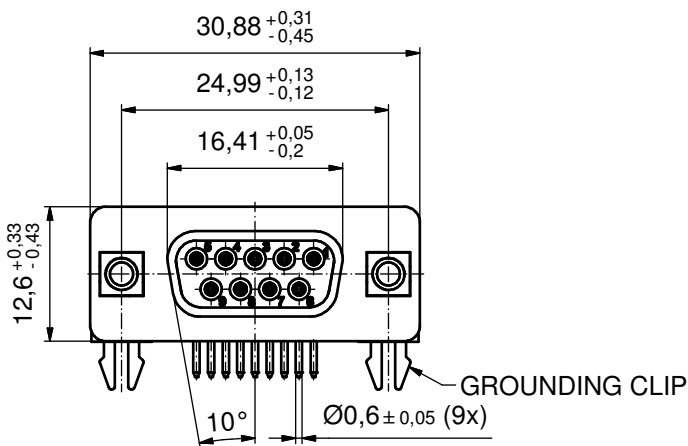
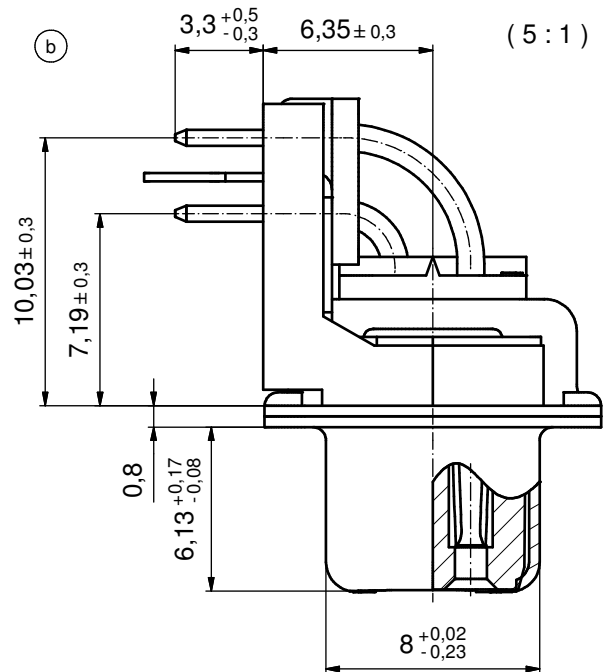
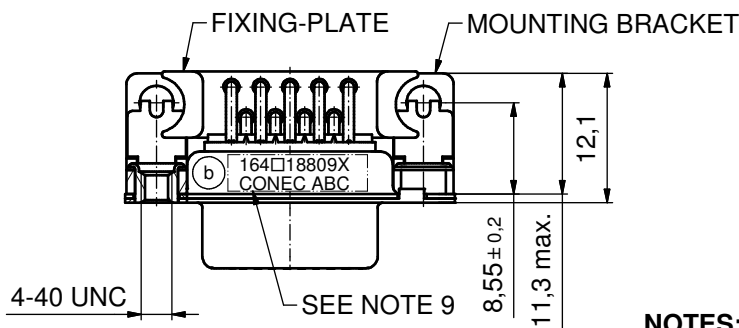
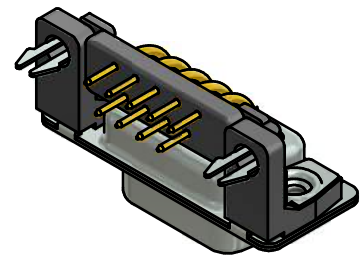


P.C.B. HOLE DRILLINGS
(P.C.B. TOP SIDE)



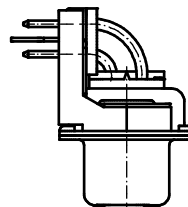
GROUNDING CLIP



FIXING-PLATE

MOUNTING BRACKET

SEE NOTE 9



NOTES:

- METALSHELLS: STEEL; min. 315µm TIN over 40-80µm NICKEL
- INSULATORS: PBT GF UL 94 V-0, BLACK
- SIGNAL CONTACTS: COPPER ALLOY; PLATING (SEE PART NO.):
 PLEASE ADD A for GOLD FLASH over NICKEL (PREFERRED TYPE)
 PLEASE ADD B for 20µm HARD GOLD over min. 50µm NICKEL
 PLEASE ADD C for 30µm HARD GOLD over min. 50µm NICKEL
- MOUNTING BRACKETS: PBT GF UL 94 V-0; BLACK
- THREADED INSERTS: COPPER ALLOY; min. 200µm TIN over 80µm NICKEL
- GROUNDING-CLIPS: COPPER ALLOY; min. 200µm TIN over 80µm NICKEL
 PCB-HOLE: Ø3.1±0.1; PCB THICKNESS 1.6mm
- FIXING-PLATE: PBT GF UL 94 V-0, BLACK
- MAXIMUM TORQUE VALUE FOR THREAD: 6 in.LB
- CONNECTOR IS PART MARKED: **164□18809X CONEC ABC** (see note 3)

Directive 2002/95/EC RoHS compliant

THIS DRAWING MAY NOT BE COPIED OR REPRODUCED IN ANY WAY, AND MAY NOT BE PASSED ON TO A THIRD PARTY WITHOUT WRITTEN PERMISSION. OWNERSHIP AND COPYRIGHT OF CONEC GmbH DO NOT ALTER CAD DRAWING BY HAND	tolerance		dim. in mm		scale:	2:1 (5:1)	
					material:	SEE NOTES	
	date	name		title:			
	drawn	25.02.05	Lehmenkühler		D-SUB FEMALE 90°		
	appd.	25.02.05	Mickenbecker		9pos. SOLDER PIN ANGLED 0,318inch		
norm			threaded insert,mounting bracket,grounding clip,fixing-plate				
d-old	16K1A1335/16K2A1335		dwg no:		DIN-A3		
5 x b	A5017	10.12.2013	K.H.	16K1A1335		sh: 1	
a	Original			part no: (b) 164□18809X		(see note 3)	
rev.	description	date	name	CONEC®			