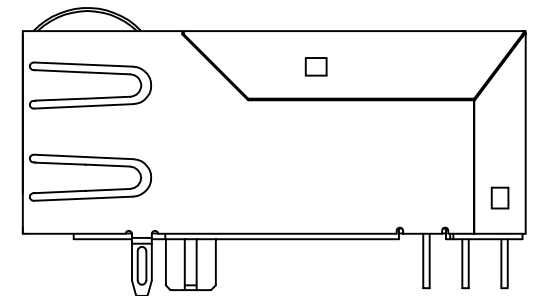
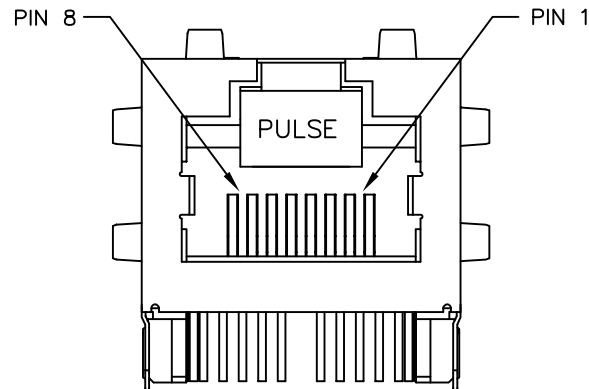
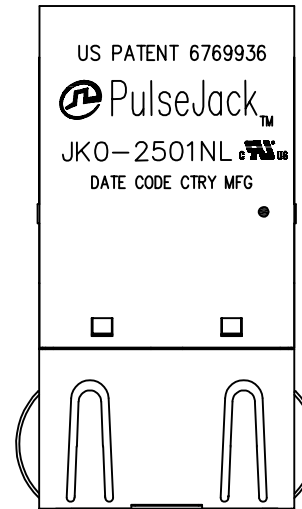




NOTES:

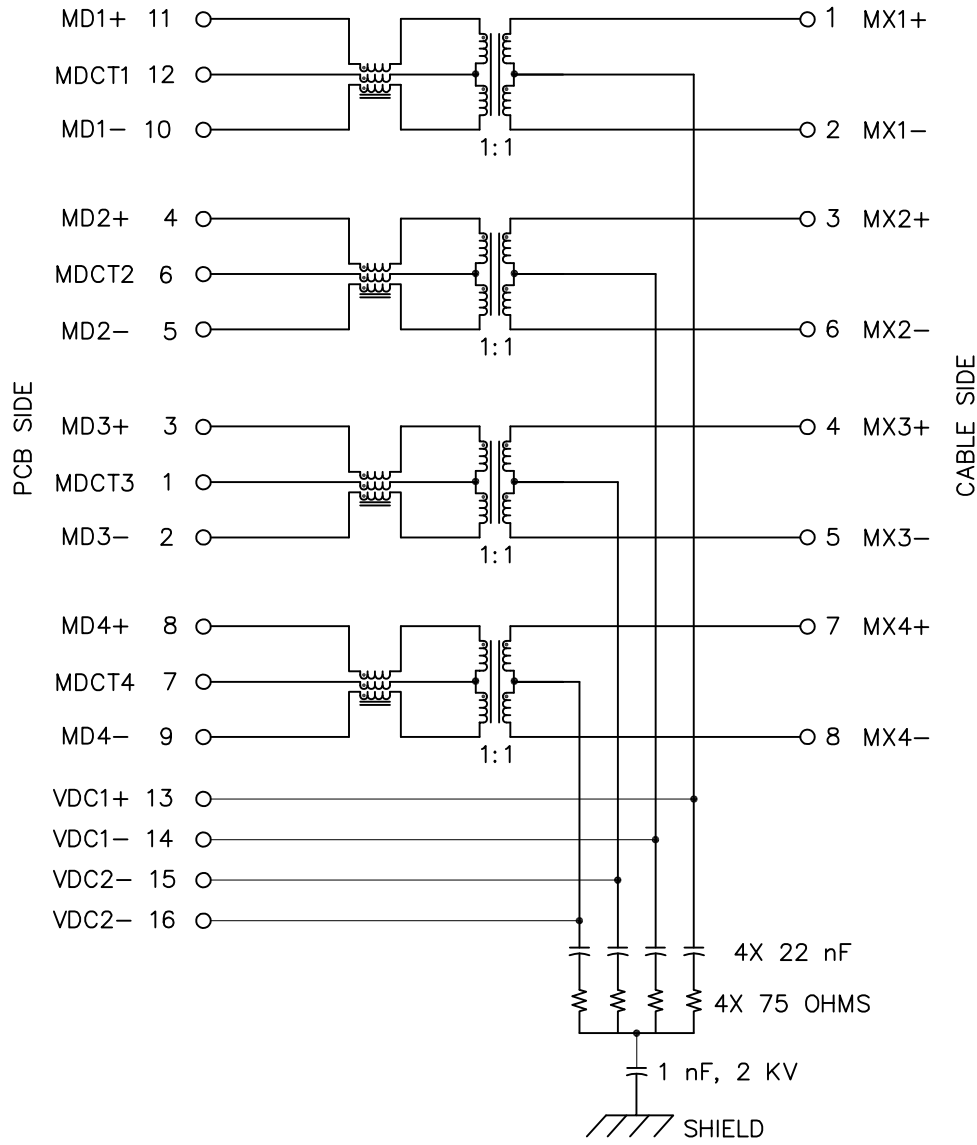
1. ROHS COMPLIANT
2. PLASTIC HOUSING: THERMOPLASTIC MATERIAL WITH FLAMMABILITY RATING UL 94V-0 OR BETTER.
3. CONTACTS PLATING: 30 MICRO-INCH GOLD PLATING.
4. CONTACTS BASE MATERIAL: PHOSPHOR BRONZE
5. UNDER PLATING: 30-50u INCHES NICKEL
6. SOLDER TAIL PLATING : 200-500 uINCHES 100% TIN, MATTE FINISH.
7. METAL SHIELD: NICKEL PLATING ON COPPER ALLOY.
8. JACK CAVITY CONFORMS TO FCC PART 68 SUBPART.
9. PCB PLATING: HASL
10. STORAGE TEMPERATURE: -20°C TO +125°C
11. COMPLIANCE TO J-STD:
 - A. J-STD-002: SOLDERABILITY AT 245°C DIP AND LOOK TEST
 - B. J-STD-020: LEVEL 1, NO MOISTURE SENSITIVE
 - C. J-STD-075: W2, 270°C MAXIMUM THROUGH WAVE SOLDER



FINAL OUTLINE

© Copyright, 2017. Pulse Electronics Corp. All rights reserved. Pulse confidential & proprietary. (10/30/17)

PRODUCT DESCRIPTION	TLA DRAWING	PS DRAWING	SHEET	PART NO.	DATASHEET REV.
CONN,RJ45,1X1,2.5GPP,1:1,TY	JKO-2501NL-10	PS-2390.007-B	1 OF 5	JKO-2501NL	F



SCHEMATIC

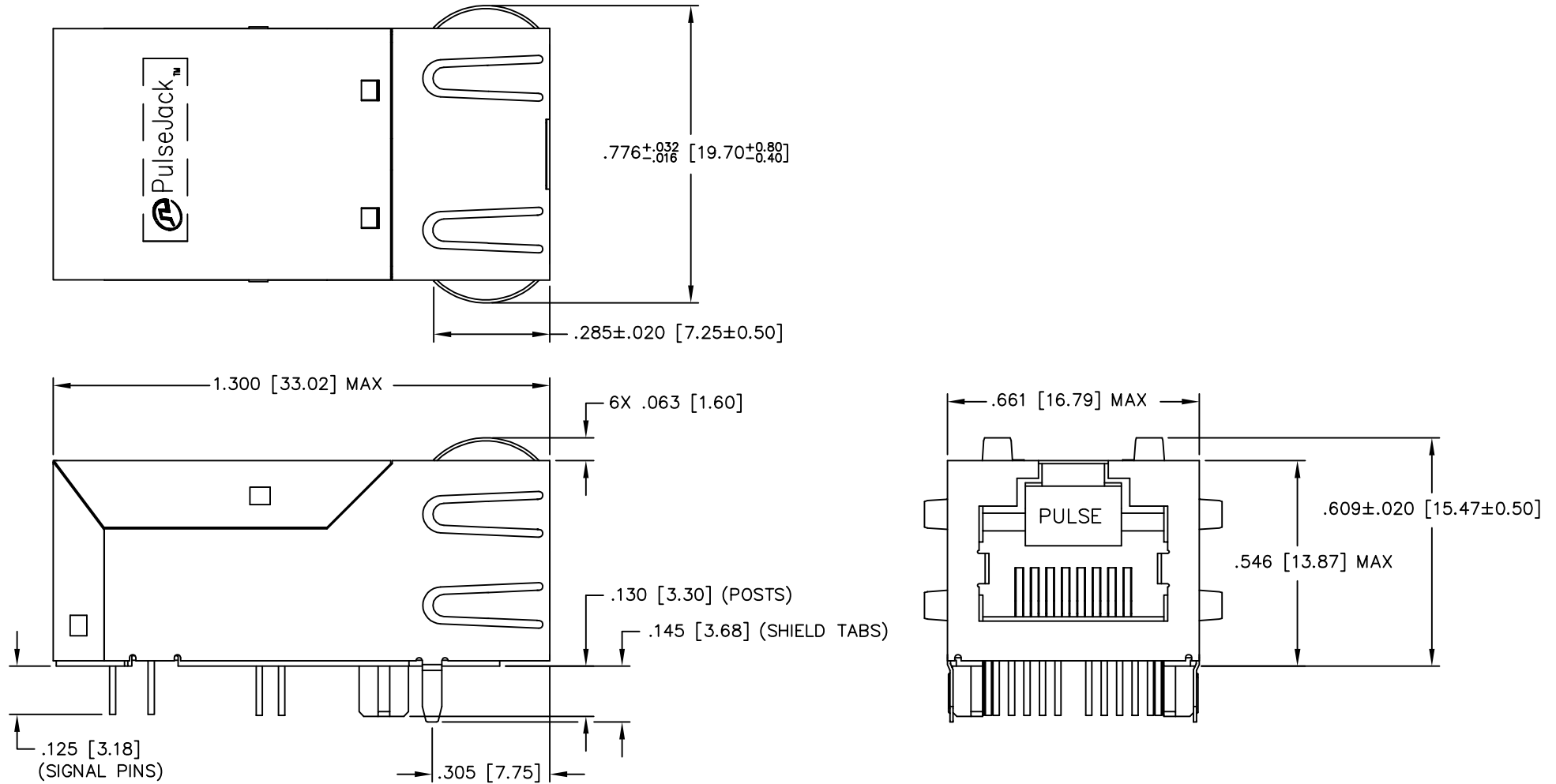
ELECTRICAL CHARACTERISTICS AT +25°C UNLESS OTHER SPECIFIED
MEETS IEEE 802.3 SPECIFICATION

PARAMETER	SPECIFICATIONS	
OPERATING TEMP	0°C TO +70°C	
TURNS RATIO	1.00 ± 2%	
POLARITY	PER SCHEMATIC	
INSERTION LOSS (SDD21)	100 KHz	1-150 MHz
	-3.0 dB MAX	-1.5 dB MAX (0.8 dB TYP)
PHY-SIDE RETURN LOSS (SDD11-Zref=100 OHMS±1%)	1-40 MHz	40-150 MHz
	-18 dB MIN	-18+15*LOG ₁₀ (f/40 MHz) dB MIN
LINE-SIDE RETURN LOSS (SDD22-Zref=100 OHMS±1%)	1-40 MHz	40-150 MHz
	-18 dB MIN	-18+15*LOG ₁₀ (f/40 MHz) dB MIN
INDUCTANCE (OCL) (MEDIA SIDE, 0°C~70°C)	120 uH MIN WITH 12.5 mA DC BIAS	
CROSSTALK, ADJACENT CHANNELS (SDD21- ADJ.)	1-100 MHz	100-400 MHz
	-35 dB MIN	-30 dB MIN
COMMON MODE REJECTION RATIO (SCC21)	1-30 MHz	100-1000 MHz
	-40 dB MIN	-40+20*LOG ₁₀ (f/30) dB MIN
COMM. TO DIFF. REJECTION RATIO (SDC12)	1-30 MHz	100-1000 MHz
	-45 dB MIN	-45+20*LOG ₁₀ (f/30) dB MIN
DC CURRENT CARRYING CAPABILITY	840 mA MAX AT 70°C	
INPUT - OUTPUT ISOLATION	2250 VDC FOR 60 SECONDS	

NOTE: f IS FREQUENCY IN MHZ.

© Copyright, 2017. Pulse Electronics Corp. All rights reserved. Pulse confidential & proprietary. (10/30/17)

PRODUCT DESCRIPTION	TLA DRAWING	PS DRAWING	SHEET	PART NO.	DATASHEET REV.
CONN,RJ45,1X1,2.5GPP,1:1,TY	JKO-2501NL-10	PS-2390.007-B	2 OF 5	JKO-2501NL	F

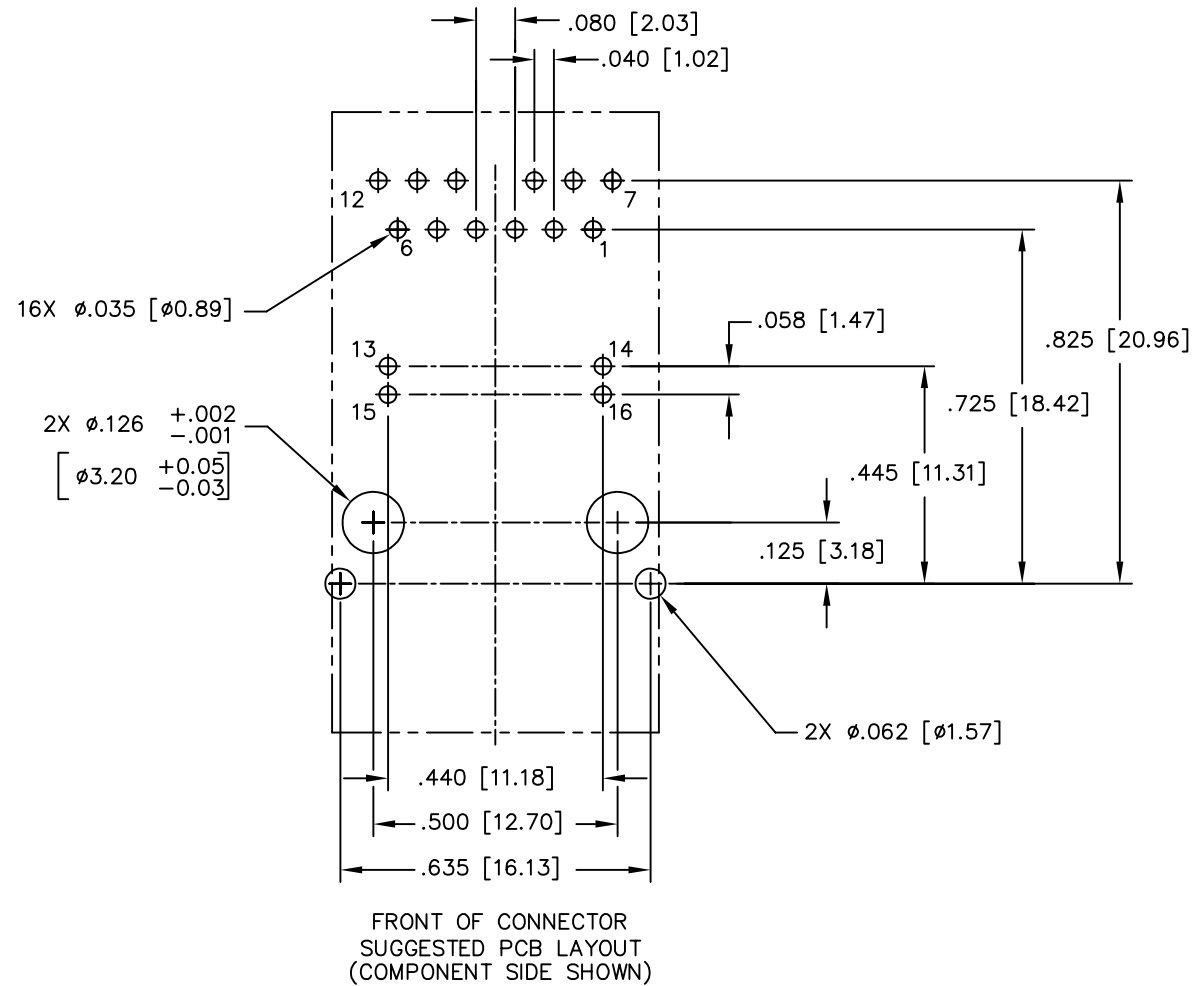


DIMENSIONS ARE IN INCHES [MILLIMETERS] WITH THE FOLLOWING TOLERANCES: [MILLIMETERS] ARE FOR REFERENCE ONLY.

.XXX= ±.010 [±0.25]

© Copyright, 2017. Pulse Electronics Corp. All rights reserved. Pulse confidential & proprietary. (10/30/17)

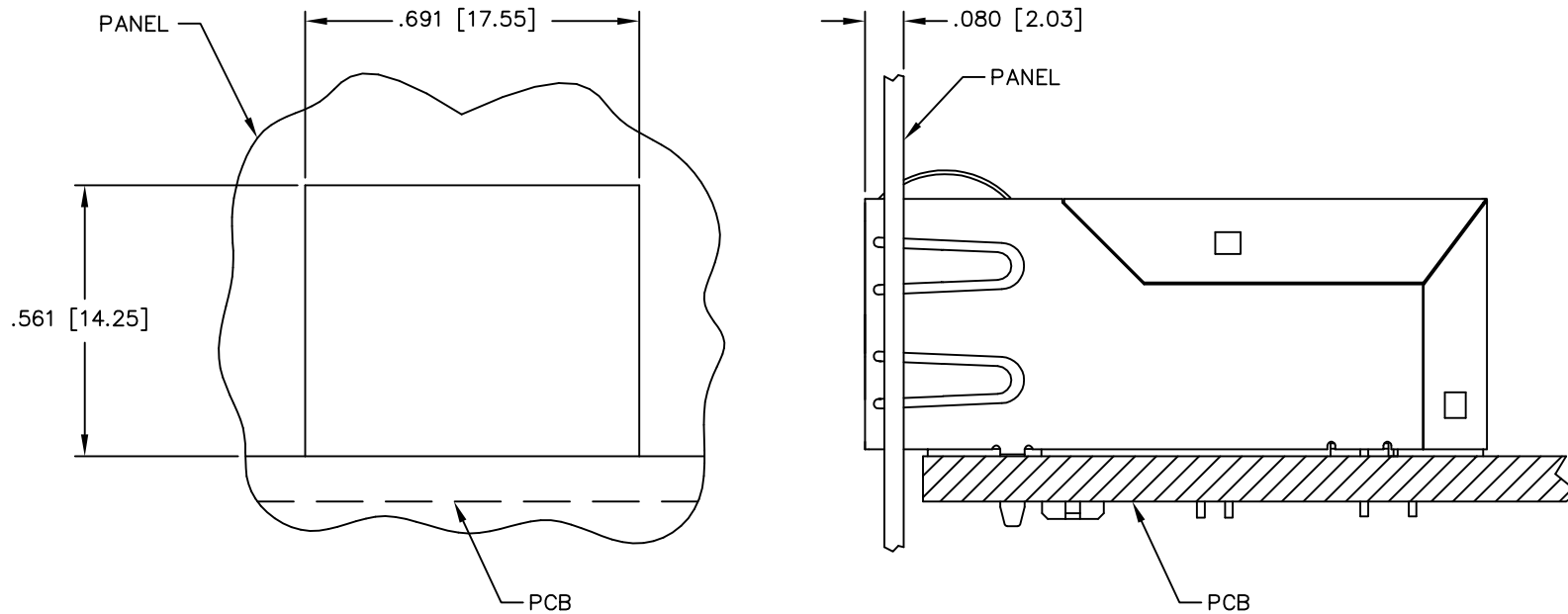
PRODUCT DESCRIPTION	TLA DRAWING	PS DRAWING	SHEET	PART NO.	DATASHEET REV.
CONN,RJ45,1X1,2.5GPP,1:1,TY	JKO-2501NL-10	PS-2390.007-B	3 OF 5	JKO-2501NL	F



DIMENSIONS ARE IN INCHES [MILLIMETERS] WITH THE FOLLOWING TOLERANCES: [MILLIMETERS] ARE FOR REFERENCE ONLY.
.XXX= ± 0.003 [± 0.08]

© Copyright, 2017. Pulse Electronics Corp. All rights reserved. Pulse confidential & proprietary. (10/30/17)

PRODUCT DESCRIPTION	TLA DRAWING	PS DRAWING	SHEET	PART NO.	DATASHEET REV.
CONN,RJ45,1X1,2.5GPP,1:1,TY	JKO-2501NL-10	PS-2390.007-B	4 OF 5	JKO-2501NL	F



SUGGESTED PANEL CUTOUT

DIMENSIONS ARE IN INCHES [MILLIMETERS] WITH THE FOLLOWING
TOLERANCES: [MILLIMETERS] ARE FOR REFERENCE ONLY.

.XXX= ± 0.010 [± 0.25]

© Copyright, 2017. Pulse Electronics Corp. All rights reserved. Pulse confidential & proprietary. (10/30/17)

PRODUCT DESCRIPTION	TLA DRAWING	PS DRAWING	SHEET	PART NO.	DATASHEET REV.
CONN,RJ45,1X1,2.5GPP,1:1,TY	JKO-2501NL-10	PS-2390.007-B	5 OF 5	JKO-2501NL	F