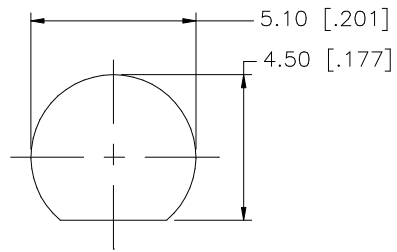
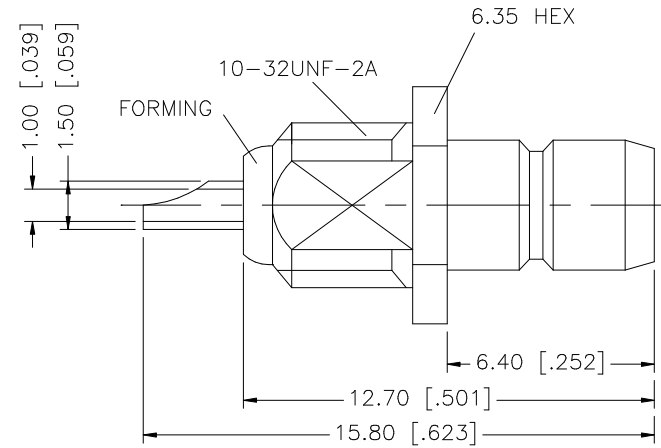
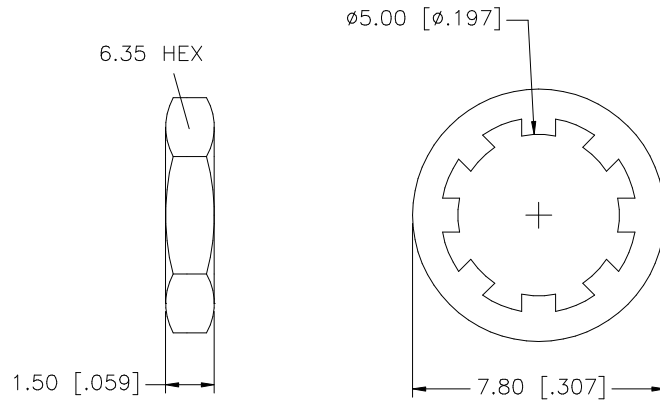


REV.	DATE	DESCRIPTION
NC	01/30/04	INITIAL RELEASE



RECOMMENDED MOUNTING HOLE



REV.	DATE	DESCRIPTION				
NC	01/30/04	INITIAL RELEASE				
8						
7						
6						
5	HEX NUT	BRASS GOLD 1				
4	LOCK WASHER	BRASS GOLD 1				
3	CONTACT PIN	BRASS GOLD 1				
2	INSULATOR	TEFLON NATURAL 1				
1	BODY	BRASS GOLD 1				
	DESCRIPTION	MATERIAL FINISH QTY				
UNLESS OTHERWISE SPECIFIED DIMENSIONS ARE IN MILLIMETERS. DIMENSIONS IN [] ARE IN INCHES AND FOR CUSTOMER REFERENCE ONLY.						
UNLESS OTHERWISE SPECIFIED TOLERANCES FOR MILLIMETERS ARE:						
0.5 - 8mm ± 0.20mm						
8 - 30mm ± 0.40mm						
30 - 120mm ± 0.50mm						
UNLESS OTHERWISE SPECIFIED TOLERANCES FOR INCHES ARE:						
.020 - .315 = ± 0.007"						
.315 - 1.180 = ± 0.015"						
1.180 - 4.724 = ± 0.020"						
DO NOT SCALE DRAWING						
APPROVALS	DATE	<h1 style="color: blue; text-align: center;">Amphenol Connex</h1> <p style="text-align: center;">PART DESCRIPTION</p> <h2 style="text-align: center;">SMB BULKHEAD RECEPT. JACK</h2> <p style="text-align: center;">PART NO. 142150</p>				
DRAWN G.R.S.	01/30/04					
CHECKED						
ISSUED						
SHEET 1 OF 1						
CAD FILE	C:/142/142150.DWG	DWG. NO.	142150.DWG	REV. NC	SIZE A	SCALE NA