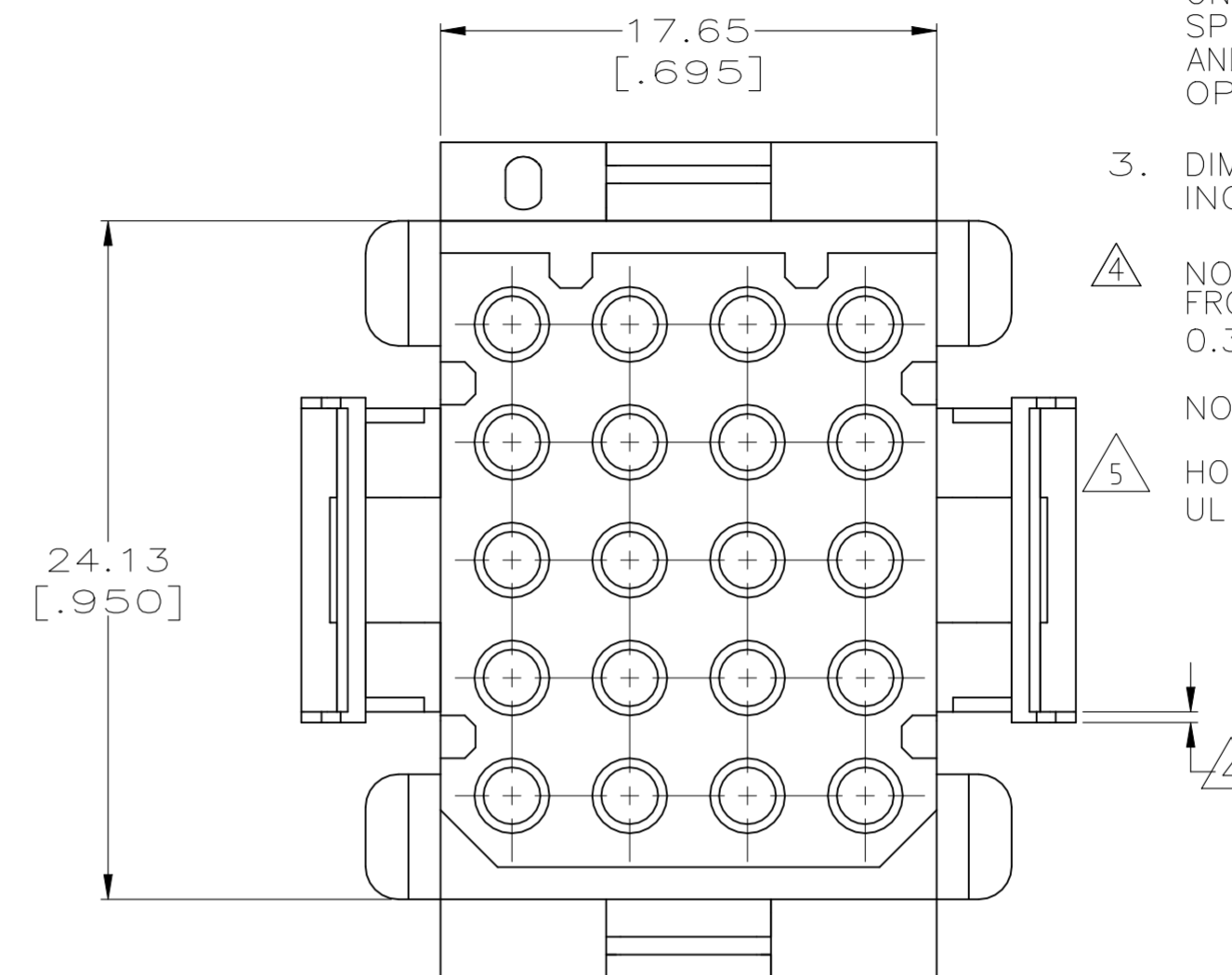
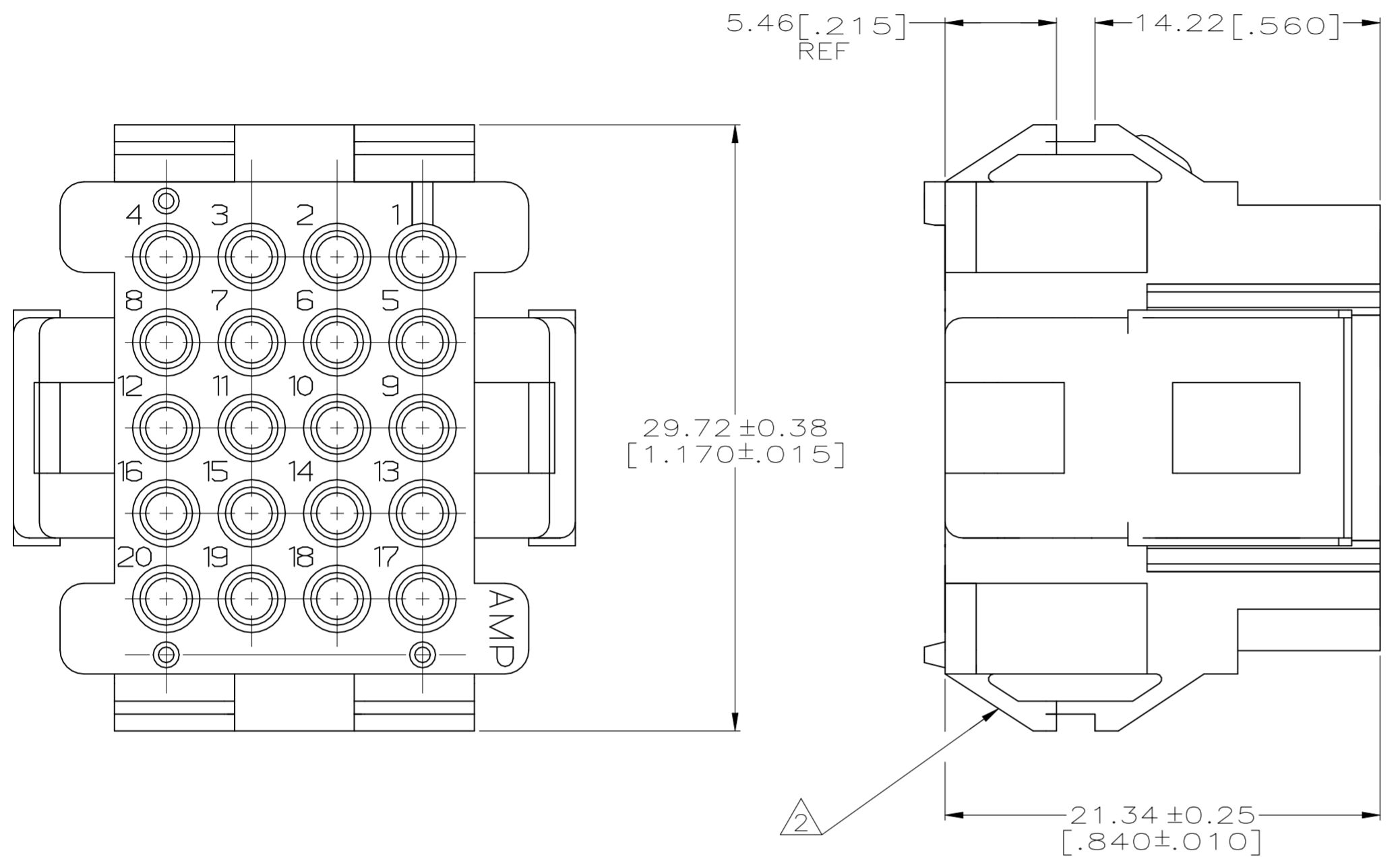
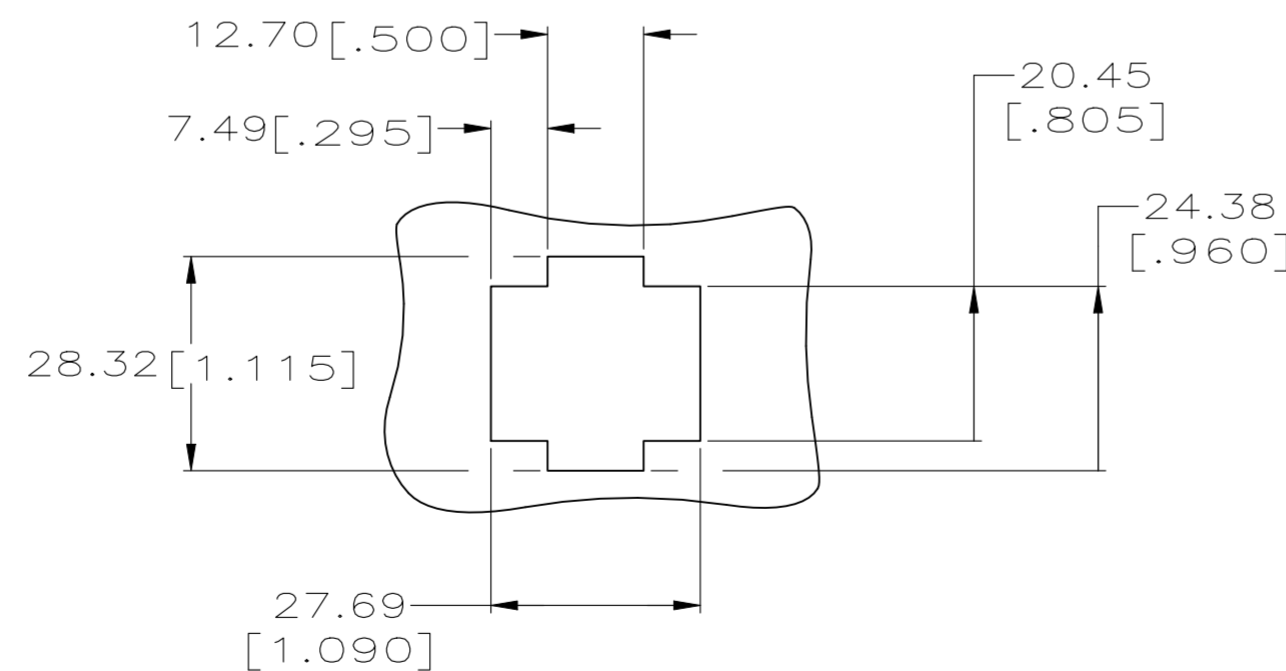
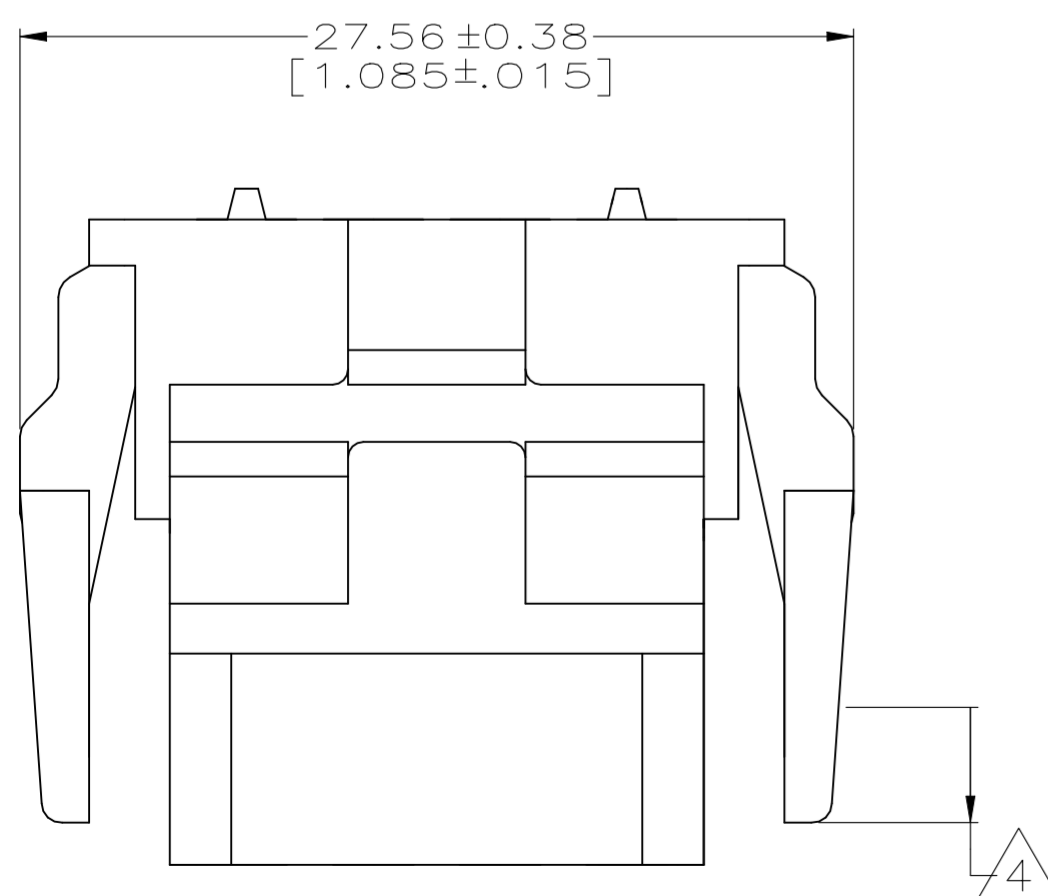


REVISIONS					
P	LTR	DESCRIPTION	DATE	DWN	APVD
F		ECO-21-006898	14DEC2021	RK	MZ



- 1. MATES WITH HOUSING 640514.
- 2. UL LOGO AND CSA LOGO TO APPEAR ON EITHER LATCH SURFACE PER AMP SPEC 202-20, I.D. NO. 1-18838-3 AND 1-18839-3. FROST BACKGROUND OPTIONAL.
- 3. DIMENSIONS IN BRACKETS ARE IN INCHES.
- 4. NON-FILL PERMITTED UP TO 3.8 [.15] FROM EDGE OF LATCH ARM ON THE 0.38 [.015] THICK FLANGE, 4 PLC. NON-FILL PERMITTED UP TO 3.8 [.15]
- 5. HOUSING MATERIAL: PA66, BLACK, UL 94 V-0 RATED



RECOMMENDED CUT OUT FOR 1.73 [.068] MAX THICK PANEL SCALE 1:1

1-640524-0  
PART NUMBER

THIS DRAWING IS A CONTROLLED DOCUMENT.		DWN R. VESTAL 12-01-97		
DIMENSIONS: mm [INCHES]		CHK R. SWING 12-01-97		
TOLERANCES UNLESS OTHERWISE SPECIFIED:		APVD A. BEDDICK 12-01-97	NAME HOUSING, PLUG MRII 20 POSITION	
0 PLC ± -		PRODUCT SPEC	SIZE A2	CAGE CODE 00779
1 PLC ± -		APPLICATION SPEC	DRAWING NO C-640524	RESTRICTED TO
2 PLC ± 0.13 [.005]			SCALE 4:1	SHEET 1 OF 1
3 PLC ± -			REV F	
4 PLC ± -				
ANGLES ± 0° 30'				
MATERIAL 5		FINISH -	WEIGHT -	
CUSTOMER DRAWING				