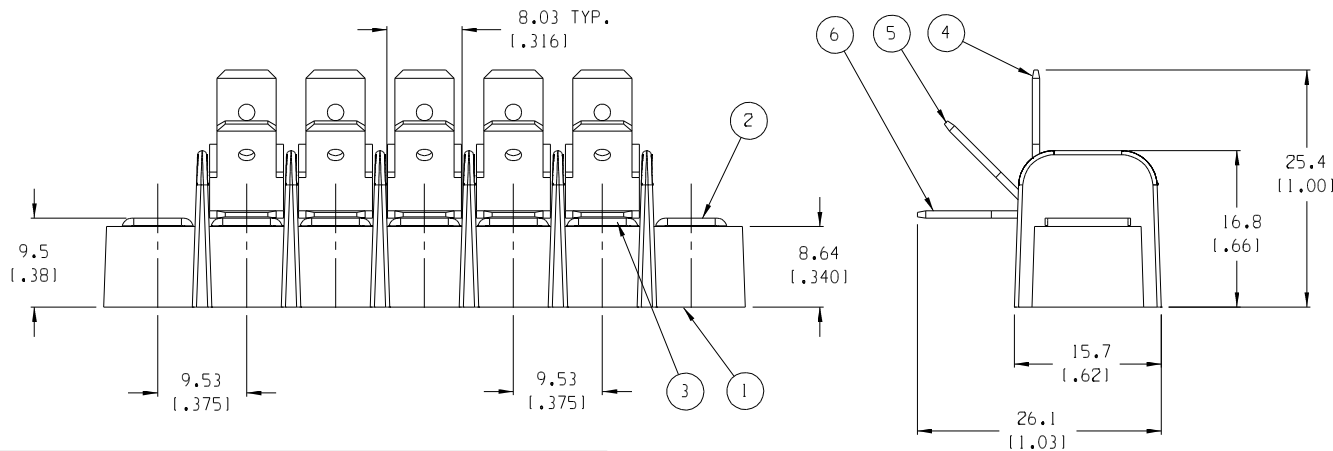


AUX. VIEW  
SCALE 1:1



NOTES:

1. MATERIAL: SEE TABLE
2. FINISHES: SEE TABLE
3. PRODUCT SPECIFICATION: NOT REQUIRED
4. PACKAGING: NOT REQUIRED
5. MATES WITH: NONE
6. FAST-TAB TERMINALS ARE ASSEMBLED AS SHOWN.

7	5	SCREW, #6-32, BHD, PHIL-SLOT	STEEL	ZINC CHROMATE
6	5	FAST-TAB TERMINAL, .032 x .250, FLAT	BRASS	TIN PLATE
5	5	FAST-TAB TERMINAL, .032 x .250, SLANTED	BRASS	TIN PLATE
4	5	FAST-TAB TERMINAL, .032 x .250, VERTICAL	BRASS	TIN PLATE
3	5	TERMINAL, CB	BRASS	TIN PLATE
2	2	PLATE, MTG.	BRASS	NICKEL PLATE
1	1	INSULATOR, SR, CB	THERMOPLASTIC	BLACK
ITEM	QTY.	DESCRIPTION	MATERIAL	FINISH

EC NO. A	RELEASED	DESCRIPTION	QUALITY SYMBOLS
	CLY		MAJOR
DRW: CH '14			CRITICAL
APPR:			S
REV			SPC

GENERAL TOLERANCES: (UNLESS SPECIFIED)	
4 PLACES	±.0015
3 PLACES	±.005
2 PLACES	±.13
1 PLACE	±.3
ANGULAR: ±2°	
DRAFT WHERE APPLICABLE MUST REMAIN WITHIN DIMENSIONS	

SCALE	DESIGN UNITS
2:1	<input type="checkbox"/> mm <input checked="" type="checkbox"/> INCH
DRAWN BY & DATE	
C. YORK 02-17-05	
CHECKED BY & DATE	
APPROVED BY & DATE	
CAD FILENAME	
72105-1813H-14H15H	

PROJECT NO.	-	-
DIMENSIONS:	SHT	REV
<input checked="" type="checkbox"/> mm TNGH	<input type="checkbox"/> INCH	<input type="checkbox"/> mm ONLY
THIRD ANGLE PROJECTION		
TITLE:		
SR BTS, CB, FAST-TAB ASSY, 5 CIRCUIT		
MOLEX INCORPORATED		
MATERIAL NO.	DRAWING NO.	SHEET NO.
387291589	SD-38729-1589	1 OF 1
THIS DRAWING CONTAINS INFORMATION THAT IS PROPRIETARY TO MOLEX INCORPORATED AND SHOULD NOT BE USED WITHOUT WRITTEN PERMISSION.		
		SIZE
		B