

324043 ✓ ACTIVE

TERMINYL

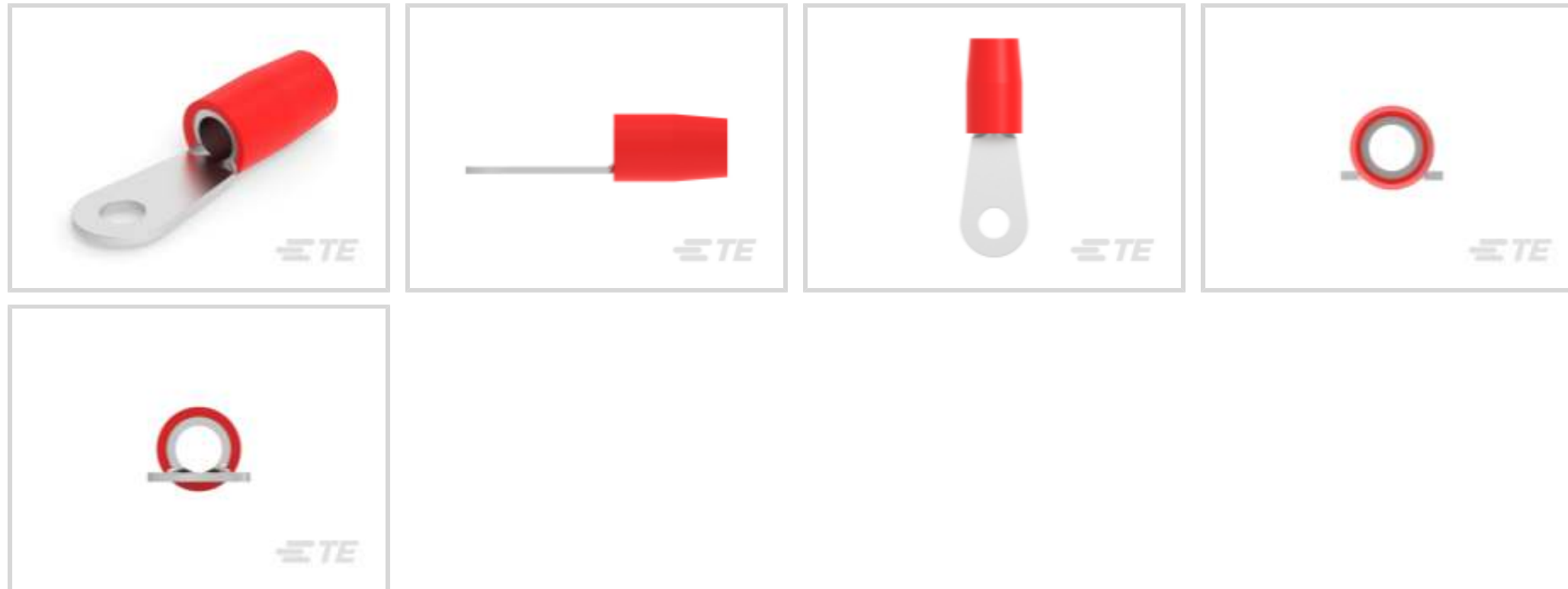
TE Internal #: 324043

Ring Terminals & Spade Terminals, Ring Tongue, 8 AWG Wire Size, 6.64 – 10.5 mm² Wire Size, 13100 – 20800 CMA Wire Size, Stud Size #10

[View on TE.com >](#)



Terminals & Splices > Ring Terminals & Spade Terminals



Ring & Spade Terminal Type: **Ring Tongue**

Wire Size: **13100 – 20800 CMA**

Stud Size: **#10**

Features

Product Type Features

Terminal Features	Inspection Slot
Stud Size	#10
Sealable	No
Wire Insulation Support Retention Type	Insulation Support

Configuration Features

Number of Holes	1
-----------------	---

Body Features

Product Weight	3.11 g
Insulation Sleeve Color	Red
Stripe Color	Red

Contact Features

Ring & Spade Terminal Type	Ring Tongue
Barrel Type	Closed
Terminal Orientation	Straight
Terminal Plating Material	Tin



Mechanical Attachment

Wire Insulation Support	With
-------------------------	------

Dimensions

Wire Size	13100 – 20800 CMA
Stud Diameter	4.82 mm[.19 in]
Tongue Thickness	.79 mm[.031 in]
Product Length	35.61 mm[1.402 in]
Compatible Insulation Diameter (Max)	6.5 mm[.256 in]
Compatible Insulation Diameter Range	6.5 mm[.256 in]

Usage Conditions

Insulation Option	Partially Insulated
Operating Temperature Range	105 °C[221 °F]

Operation/Application

Compatible With Wire Base Material	Copper
Compatible With Wire Plating Material	Tin

Industry Standards

Government Qualified Terminal	No
-------------------------------	----

Packaging Features

Packaging Quantity	100
Packaging Method	Loose Piece

Product Compliance

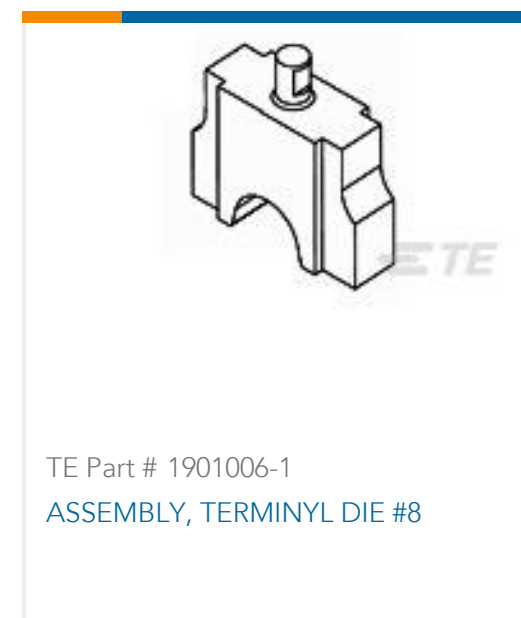
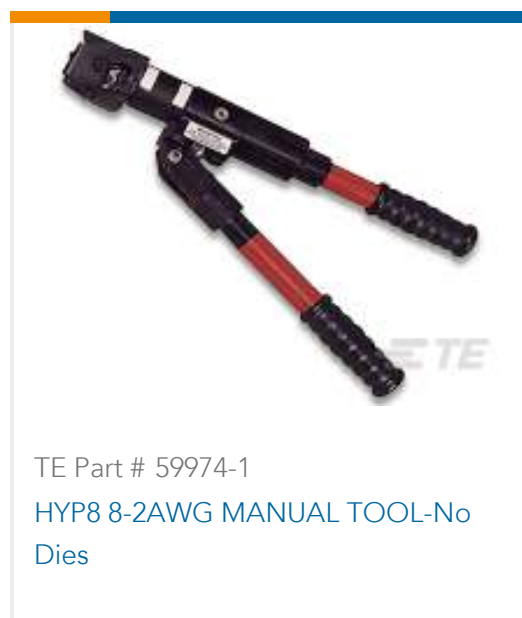
[For compliance documentation, visit the product page on TE.com>](#)

EU RoHS Directive 2011/65/EU	Compliant
EU ELV Directive 2000/53/EC	Compliant
China RoHS 2 Directive MIIT Order No 32, 2016	No Restricted Materials Above Threshold
EU REACH Regulation (EC) No. 1907/2006	Current ECHA Candidate List: JUNE 2023 (235) Candidate List Declared Against: JUNE 2023 (235) Does not contain REACH SVHC
Halogen Content	BFR/CFR/PVC Free, but Br/Cl >900 ppm in other sources.
Solder Process Capability	Not applicable for solder process capability

Product Compliance Disclaimer

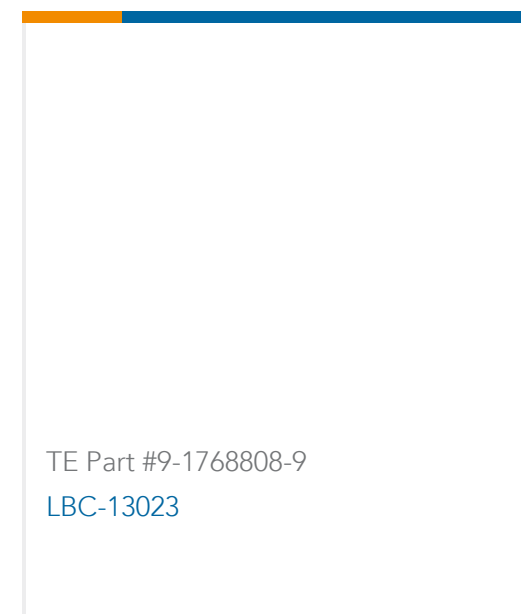
This information is provided based on reasonable inquiry of our suppliers and represents our current actual knowledge based on the information they provided. This information is subject to change. The part numbers that TE has identified as EU RoHS compliant have a maximum concentration of 0.1% by weight in homogenous materials for lead, hexavalent chromium, mercury, PBB, PBDE, DBP, BBP, DEHP, DIBP, and 0.01% for cadmium, or qualify for an exemption to these limits as defined in the Annexes of Directive 2011/65/EU (RoHS2). Finished electrical and electronic equipment products will be CE marked as required by Directive 2011/65/EU. Components may not be CE marked. Additionally, the part numbers that TE has identified as EU ELV compliant have a maximum concentration of 0.1% by weight in homogenous materials for lead, hexavalent chromium, and mercury, and 0.01% for cadmium, or qualify for an exemption to these limits as defined in the Annexes of Directive 2000/53/EC (ELV). Regarding the REACH Regulation, the information TE provides on SVHC in articles for this part number is based on the latest European Chemicals Agency (ECHA) 'Guidance on requirements for substances in articles' posted at this URL: <https://echa.europa.eu/guidance-documents/guidance-on-reach>

Compatible Parts



Customers Also Bought





Documents

Product Drawings

TERMINAL,T-N R 8 10

English

CAD Files

3D PDF

3D

Customer View Model

[ENG_CVM_CVM_324043_U.2d_dxf.zip](#)

English

Customer View Model

[ENG_CVM_CVM_324043_U.3d_igs.zip](#)

English

Customer View Model

[ENG_CVM_CVM_324043_U.3d_stp.zip](#)

English

3D PDF

English

Customer View Model

[ENG_CVM_324043_J.2d_dxf.zip](#)

English

Customer View Model

[ENG_CVM_324043_J.3d_igs.zip](#)

English

Customer View Model

[ENG_CVM_324043_J.3d_stp.zip](#)

English

324043

Ring Terminals & Spade Terminals, Ring Tongue, 8 AWG Wire Size, 6.64 – 10.5 mm²
Wire Size, 13100 – 20800 CMA Wire Size, Stud Size #10



By downloading the CAD file I accept and agree to the [Terms and Conditions](#) of use.

Product Environmental Compliance

[MD_324043_02052015811_dmtec](#)

English

[MD_324043_02052015811_dmtec](#)

English