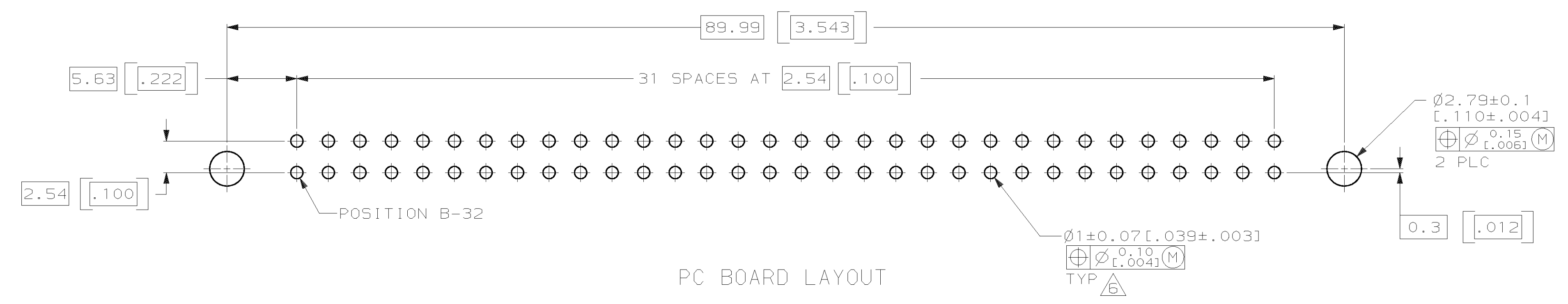
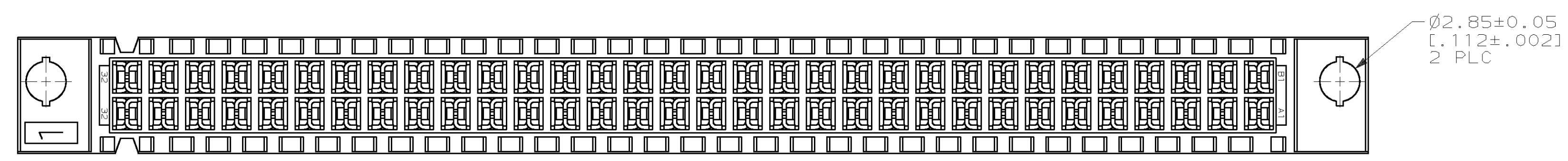
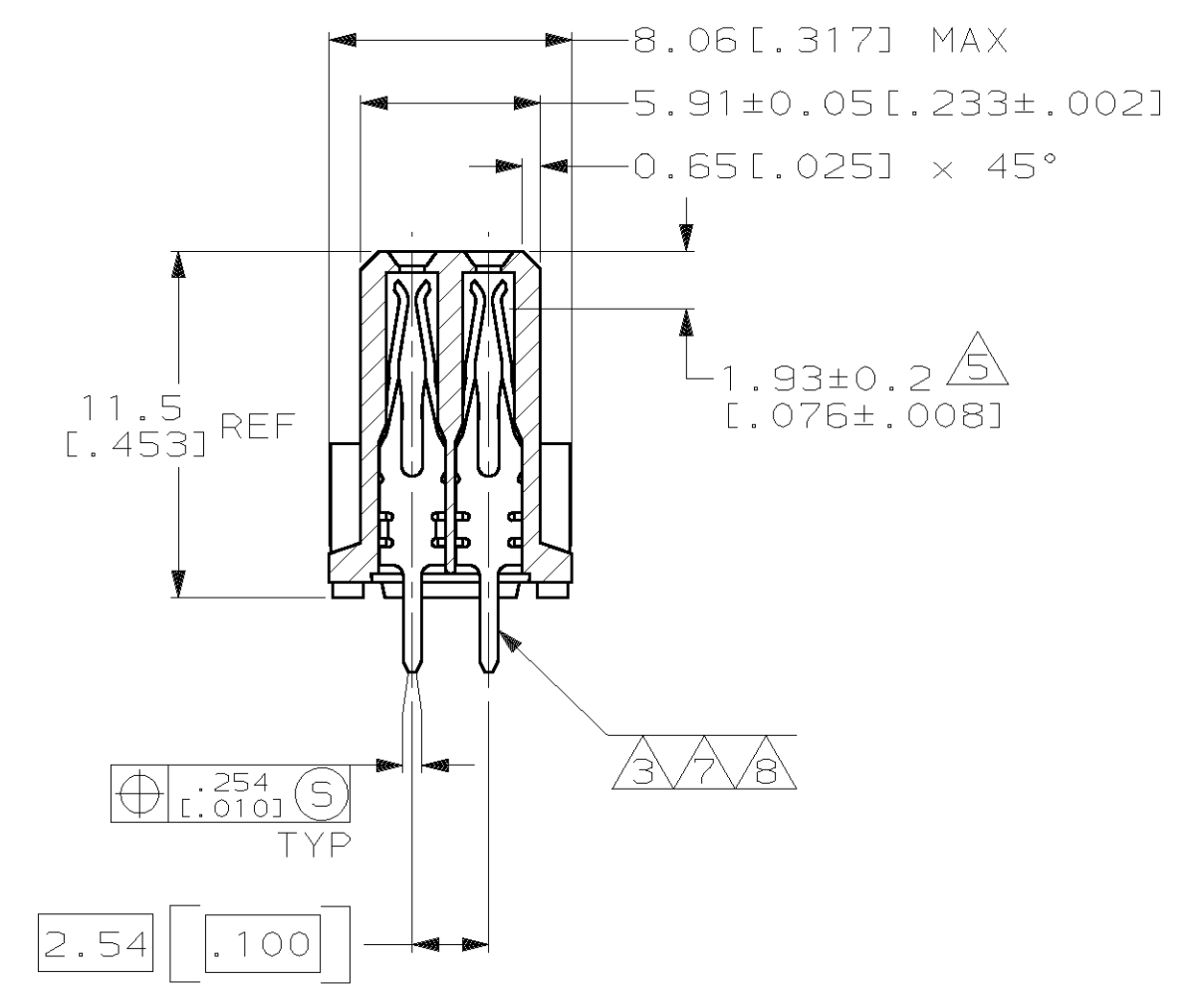
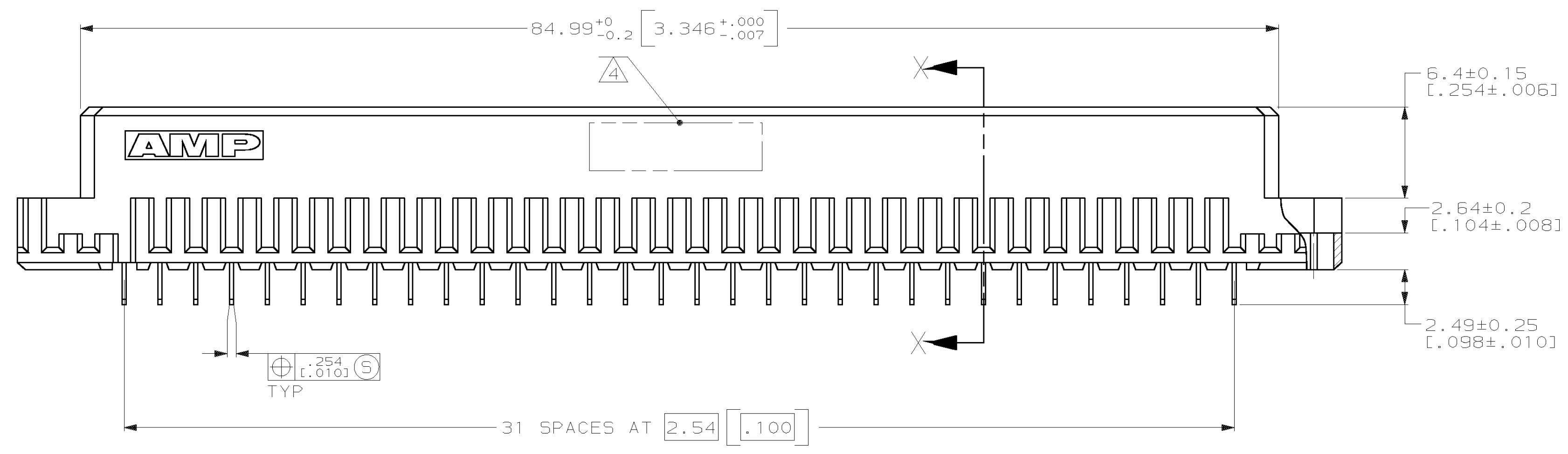
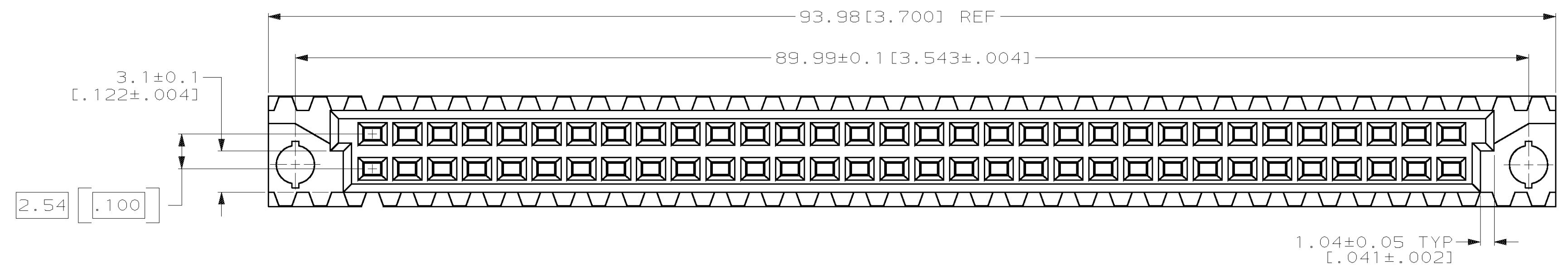


LOC		DIST		P		F		ZONE		LTR		REVISIONS			
AD	25											DESCRIPTION	DATE	APPD	
												D	EC 0010-1491-95	4/1/96	CR
												E	REV PER EC 0512-0016-03	09JAN04	AS



SECTION X-X

NOTE	POSITIONS LOADED	B	A	NO. OF LOADED POSITION	ASSY PART NUMBER
OBSOLETE	1 THRU 32	X	X	64	650859-9
	1 THRU 32	X	X	64	650859-5
SUPERSEDED BY 650859-5	1 THRU 32	X	X	64	650859-4

DO NOT SCALE PRINT. UNLESS SPECIFIED DIMENSIONS IN mm [INCHES]. TOLERANCES ON: 1 PLC DEC ± - 2 PLC DEC ± 0.13 [.005] ANGLES ± -	DR L. BRINER 6/27/90 CHK J. BROWN 7/18/90 APPD J. BROWN 7/18/90 MATERIAL HSG [Symbol] CONT [Symbol]	NAME RECEPTACLE ASSEMBLY, EUROCARD, TYPE B
FINISH CONT [Symbol]	APPD K.R. PARMER 7/19/90 PRODUCT SPEC - APPLICATION SPEC - WEIGHT -	SIZE D 00779 FSCM NO 650859 DRAWING NO 650859 SCALE 4:1 SHEET 1 OF 1

