

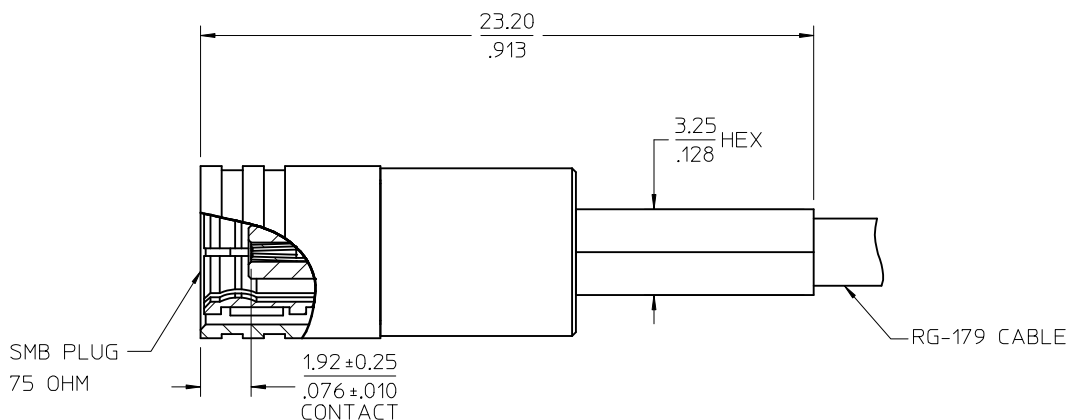
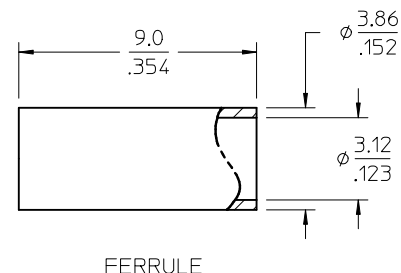
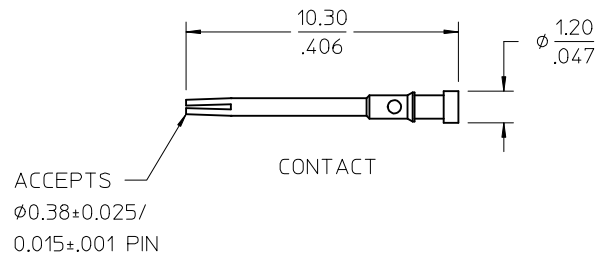
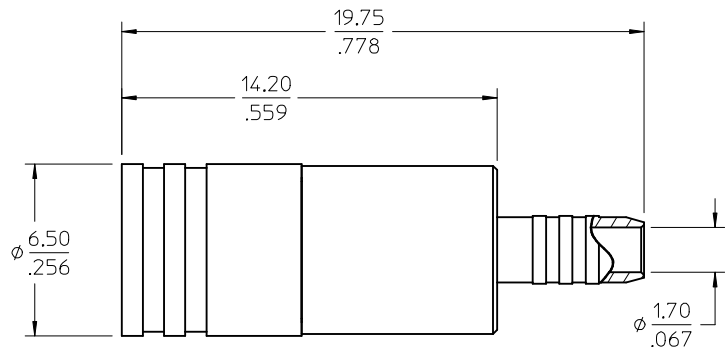
MATERIALS AND FINISHES

BODY, FERRULE: BRASS
 PLATED GOLD

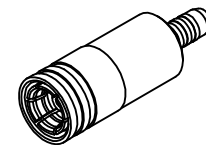
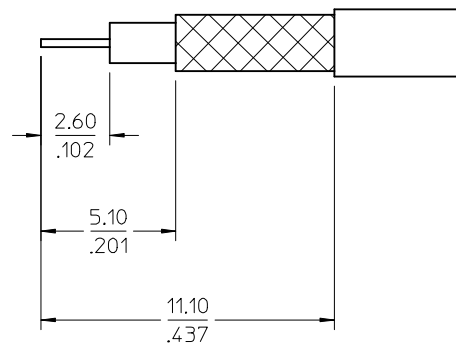
CENTER CONTACT: BERYLLIUM COPPER
 PLATED GOLD

DIELECTRIC: TEFLON

RETAINING RING: BERYLLIUM COPPER



RECOMMENDED STRIP DIMENSION



73404-2990	1 PIECE 73100-0255 IN SINGLE BAG WITH LABEL
73100-0255	TRAY
PART NO.	PACKAGING

PS-89675-3540	PRODUCT SPECIFICATION
SPECIFICATION	DESCRIPTION

CHG: 73100-0255
 PACKING UPDATE TO
 TRAY FROM
 STANDARD
 EWR RF15-E384
 EC NO: URF2016-0367
 DRAWN: YCHENG 2015/11/05
 CHKD:
 APPR: YCHENG 2015/11/09

QUALITY SYMBOLS
 ▼=0
 ▽=0

GENERAL TOLERANCES (UNLESS SPECIFIED)

	mm	INCH
4 PLACES	± ---	± ---
3 PLACES	± ---	± ---
2 PLACES	± ---	± ---
1 PLACE	± ---	± ---

ANGULAR ± 2 °

DRAFT WHERE APPLICABLE
 MUST REMAIN
 WITHIN DIMENSIONS

DIMENSION STYLE
 MM/IN

DRAWN BY SEAN CHEN DATE 95/11/22
 CHECKED BY WILSON DATE 95/11/22
 APPROVED BY DATE

MATERIAL NO. SEE TABLE
 SIZE C

SCALE DESIGN UNITS METRIC

THIRD ANGLE PROJECTION

TITLE SPECIAL 75 OHM STRAIGHT SMB PLUG FOR RG179/U CABLE, SMB-PC

molex MOLEX INCORPORATED

DOCUMENT NO. SD-73100-0255 SHEET NO. 1 OF 1

THIS DRAWING CONTAINS INFORMATION THAT IS PROPRIETARY TO MOLEX INCORPORATED AND SHOULD NOT BE USED WITHOUT WRITTEN PERMISSION

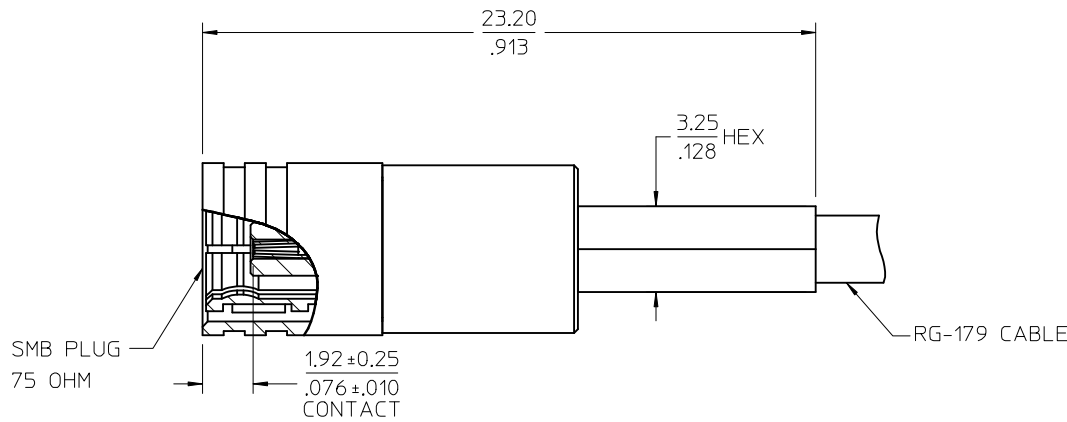
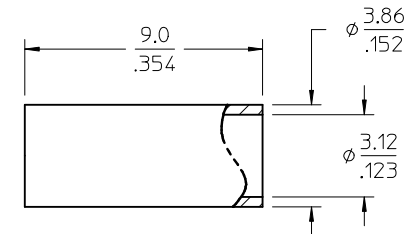
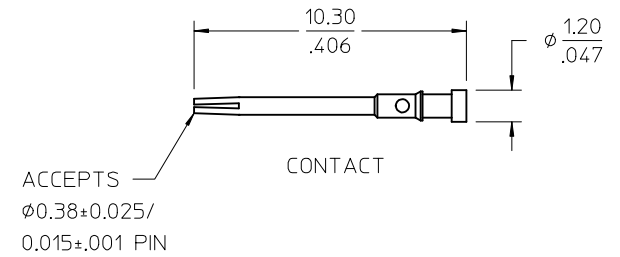
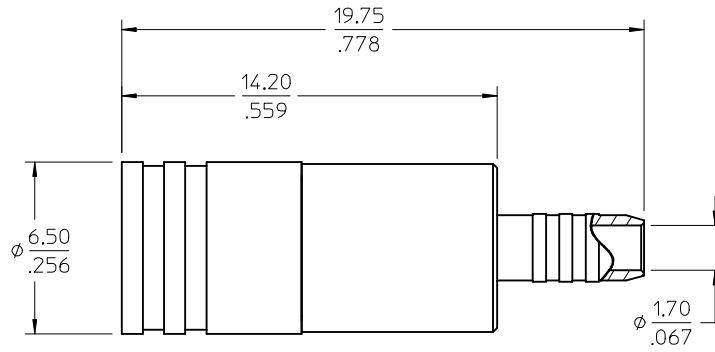
MATERIALS AND FINISHES

BODY, FERRULE: BRASS
 PLATED GOLD

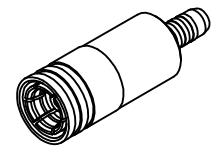
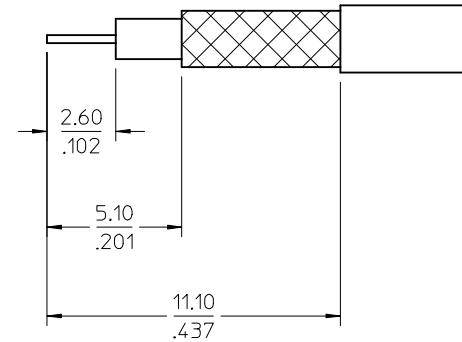
CENTER CONTACT: BERYLLIUM COPPER
 PLATED GOLD

DIELECTRIC: TEFLON

RETAINING RING: BERYLLIUM COPPER



RECOMMENDED STRIP DIMENSION



73404-2990	1 PIECE 73100-0255 IN SINGLE BAG WITH LABEL
73100-0255	TRAY
PART NO.	PACKAGING

PS-89675-3540	PRODUCT SPECIFICATION
SPECIFICATION	DESCRIPTION

CHG: 73100-0255
 PACKING UPDATE TO
 TRAY FROM
 STANDARD
 EMR RF15-E384
 EC NO: URF2016-0367
 DRAWN: YCHENG 2015/11/05
 CHKD:
 APPR: YCHENG 2015/11/09

QUALITY SYMBOLS
 ▼=0
 ▽=0

GENERAL TOLERANCES (UNLESS SPECIFIED)

	mm	INCH
4 PLACES	± .005	± .0002
3 PLACES	± .004	± .00015
2 PLACES	± .003	± .0001
1 PLACE	± .002	± .000075

ANGULAR ± 2°

DRAFT WHERE APPLICABLE
 MUST REMAIN
 WITHIN DIMENSIONS

DIMENSION STYLE
 MM/IN

DRAWN BY AROBERTSON DATE 2011/03/31
 CHECKED BY SSS DATE 2011/03/31
 APPROVED BY JW IENER DATE 2011/03/31

MATERIAL NO.
SEE TABLE

SIZE C

SCALE DESIGN UNITS METRIC

THIRD ANGLE PROJECTION

TITLE
**SPECIAL SMB P STR 75 OHM
 RG179 MATE TO .015
 SMB-PC**

MOLEX INCORPORATED

DOCUMENT NO. SD-73404-299 SHEET NO. 1 OF 1

THIS DRAWING CONTAINS INFORMATION THAT IS PROPRIETARY TO MOLEX INCORPORATED AND SHOULD NOT BE USED WITHOUT WRITTEN PERMISSION