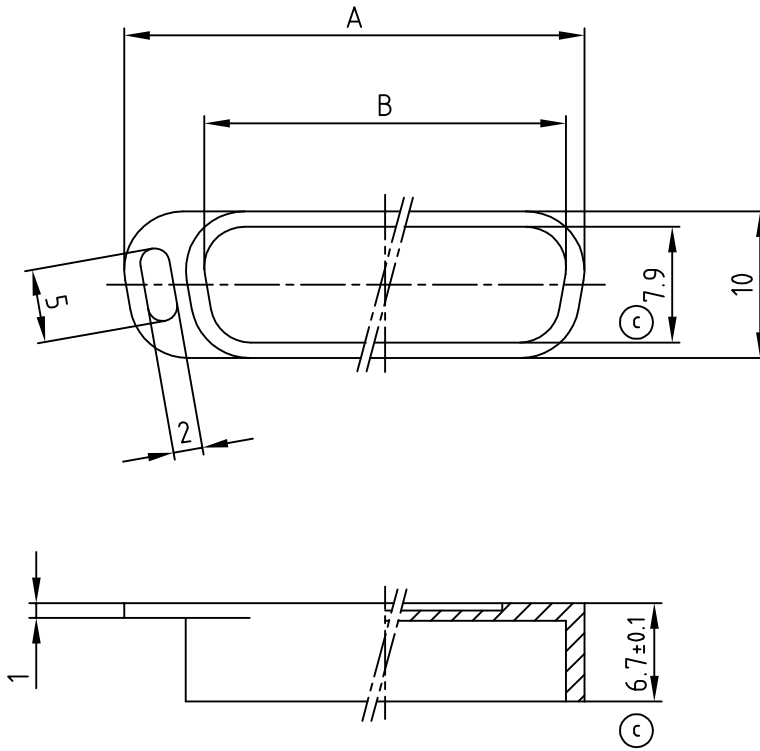


used for: D-SUB



(b) TO PREVENT DAMAGE AT LOW TEMPERATURES NO IMPACT OR EXTREM MECHANICAL LOAD SHOULD APPLIED TO THE CAP. MECHANICAL LOAD SHOULD BE APPLIED ABOVE 0° C

POS.	A	B	Part No.
9	22.9	(c)16.5	160X10449X
15	31.4	24.7	160X10459X
25	(c)44.7	(c)38.3	160X10469X
37	(c)61.2	54.5	160X10479X

(b) NOTES:
 1. MATERIAL: PP, BLACK (d)
 2. TEMPERATURE RANGE: -30°C +80°C

THIS DRAWING MAY NOT BE COPIED OR REPRODUCED IN ANY WAY, AND MAY NOT BE PASSED ON TO A THIRD PARTY WITHOUT WRITTEN PERMISSION.
 OWNERSHIP AND COPYRIGHT OF CONEC GmbH
 DO NOT ALTER CAD DRAWING BY HAND

tolerance		DIN 16901 - 150			
1995	date	name		title: Dust cap for socket connector 9 - 37 pos.	
drawn	18.07.	Barcinski			
appd.	18.07.	Mickenbecker			
norm					
1 x d	Ä6491	30.01.2017	E.Mick.	d-old	dwg no: AutoCADREL.10 16V11M5A part no: SEE TABLE
6 x c	Ä3858	23.12.2010	E.Mick.		
3 x b	Ä 2150	17.01.2005	Lehmen.		
rev.	description	date	name		



scale:	2:1
material:	(b) see notes
title:	Dust cap for socket connector 9 - 37 pos.
dwg no:	AutoCADREL.10
part no:	SEE TABLE

DIN-A
4
sh: 1/1