

2-1718645-1 ✓ ACTIVE

AMP | MCON Interconnection System

TE Internal #: 2-1718645-1

Housing for Female Terminals, Wire-to-Board / Wire-to-Wire / Wire-to-Device, 4 Position, .157 in [4 mm] Centerline, MCON Interconnection System

[View on TE.com >](#)



Connectors > Automotive Connectors > Automotive Housings



Connector & Housing Type: **Housing for Female Terminals**

Mating Tab Width: **1.2 mm [.047 in]**

Connector System: **Wire-to-Board, Wire-to-Device, Wire-to-Wire**

Number of Positions: **4**

Centerline (Pitch): **4 mm [.157 in]**

Features

Product Type Features

| | |
|-----------------------------------|---|
| Connector Shape | Rectangular |
| Connector & Housing Type | Housing for Female Terminals |
| Connector System | Wire-to-Board, Wire-to-Device, Wire-to-Wire |
| Sealable | Yes |
| Hybrid Connector | No |
| Primary Locking Feature | On the Terminal |
| Connector & Contact Terminates To | Wire & Cable |

Configuration Features

| | |
|---------------------|---|
| Number of Positions | 4 |
| Number of Rows | 1 |

Electrical Characteristics

| | |
|------------------------------|--------|
| Operating Voltage | 12 VDC |
| Nominal Voltage Architecture | 12 V |

Body Features

| | |
|-------------------------|---------|
| Cable Exit Angle | 180° |
| Primary Product Color | Natural |
| Connector & Keying Code | B |

Contact Features

| | |
|------------------------------|-----------------|
| Contact Size | 1.2mm |
| Contact Type | Receptacle |
| Mating Tab Width | 1.2 mm[.047 in] |
| Contact Current Rating (Max) | 25 A |

Mechanical Attachment

| | |
|-----------------------------|----------------------------|
| Terminal Position Assurance | Yes |
| Strain Relief | Without |
| Mating Alignment Type | Keyed |
| Mating Alignment | With |
| Connector Mounting Type | Cable Mount (Free-Hanging) |

Housing Features

| | |
|--------------------|---------------|
| Housing Material | PA GF |
| Centerline (Pitch) | 4 mm[.157 in] |

Dimensions

| | |
|------------------|-------------------|
| Connector Height | 16.5 mm[.65 in] |
| Product Width | 26.5 mm[1.043 in] |
| Product Length | 24.7 mm[.972 in] |

Usage Conditions

| | |
|-----------------------------|---|
| Operating Temperature (Max) | 70 °C, 75 °C, 80 °C, 85 °C, 90 °C, 100 °C, 105 °C, 110 °C, 120 °C, 125 °C, 130 °C[158 °F][167 °F][176 °F][185 °F][194 °F][212 °F][221 °F][230 °F][248 °F][257 °F][266 °F] |
| Operating Temperature Range | -40 – 130 °C[-40 – 266 °F] |

Operation/Application

| | |
|---------------------|-------|
| Circuit Application | Power |
|---------------------|-------|

Industry Standards

| | |
|----------------------|--------|
| Degree of Protection | IP6K9K |
|----------------------|--------|

Packaging Features

| | |
|--------------------|------|
| Packaging Quantity | 1500 |
| Packaging Method | Box |

Other

| | |
|-------------|-----|
| Serviceable | Yes |
|-------------|-----|



Connector Position Assurance Capable Yes

Product Compliance


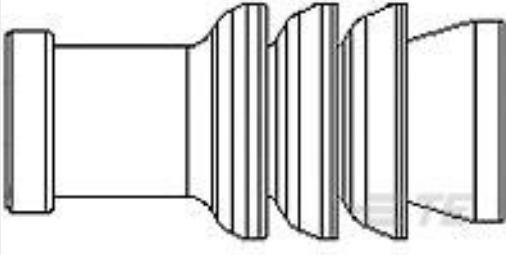
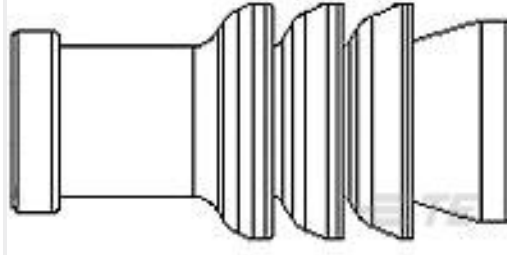

[For compliance documentation, visit the product page on TE.com>](#)

| | |
|---|---|
| EU RoHS Directive 2011/65/EU | Compliant |
| EU ELV Directive 2000/53/EC | Compliant |
| China RoHS 2 Directive MIIT Order No 32, 2016 | No Restricted Materials Above Threshold |
| EU REACH Regulation (EC) No. 1907/2006 | Current ECHA Candidate List: JUNE 2023 (235) Candidate List Declared Against: JUNE 2023 (235) Does not contain REACH SVHC |
| Halogen Content | Low Halogen - Br, Cl, F, I < 900 ppm per homogenous material. Also BFR/CFR/PVC Free |
| Solder Process Capability | Not reviewed for solder process capability |

Product Compliance Disclaimer

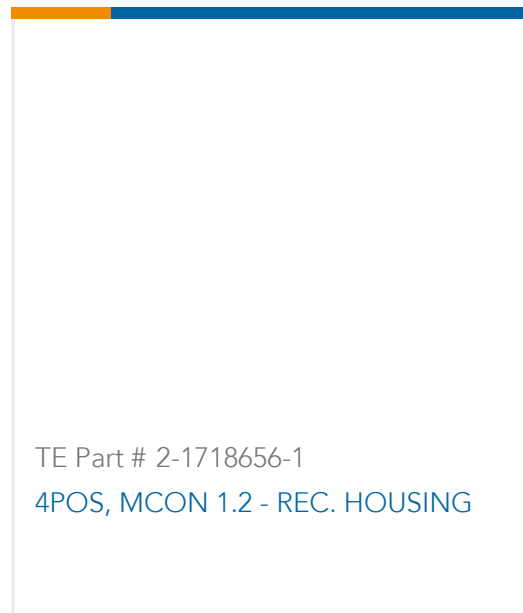
This information is provided based on reasonable inquiry of our suppliers and represents our current actual knowledge based on the information they provided. This information is subject to change. The part numbers that TE has identified as EU RoHS compliant have a maximum concentration of 0.1% by weight in homogenous materials for lead, hexavalent chromium, mercury, PBB, PBDE, DBP, BBP, DEHP, DIBP, and 0.01% for cadmium, or qualify for an exemption to these limits as defined in the Annexes of Directive 2011/65/EU (RoHS2). Finished electrical and electronic equipment products will be CE marked as required by Directive 2011/65/EU. Components may not be CE marked. Additionally, the part numbers that TE has identified as EU ELV compliant have a maximum concentration of 0.1% by weight in homogenous materials for lead, hexavalent chromium, and mercury, and 0.01% for cadmium, or qualify for an exemption to these limits as defined in the Annexes of Directive 2000/53/EC (ELV). Regarding the REACH Regulation, the information TE provides on SVHC in articles for this part number is based on the latest European Chemicals Agency (ECHA) 'Guidance on requirements for substances in articles' posted at this URL: <https://echa.europa.eu/guidance-documents/guidance-on-reach>

Compatible Parts

| | | | |
|--|--|---|---|
|  <p>TE Part # 5-1579007-3 EXTRACTION TOOL</p> |  <p>TE Part # 967067-1 MQS SGL WIRE SEAL</p> |  <p>TE Part # 967067-2 MQS EINZELLEITDICHT</p> |  <p>TE Part # CAT-M4595-T273 MCON Receptacle and Tab</p> |
|--|--|---|---|

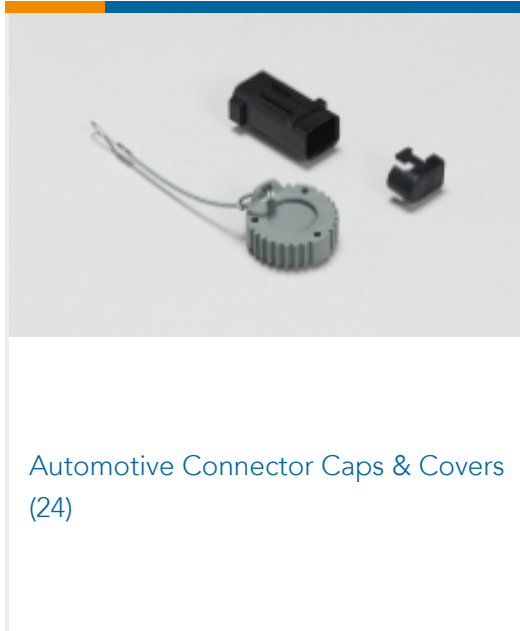


TE Part # 2-1564559-1
4POS, MCON 1.2 LL TAB SEALED
COD B



TE Part # 2-1718656-1
4POS, MCON 1.2 - REC. HOUSING

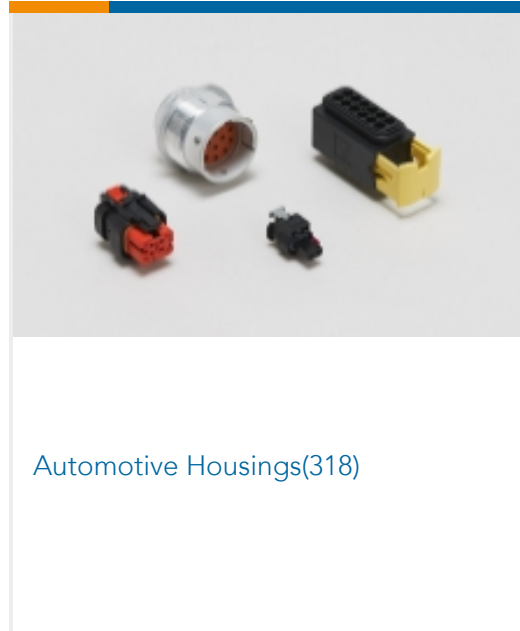
Also in the Series | MCON Interconnection System



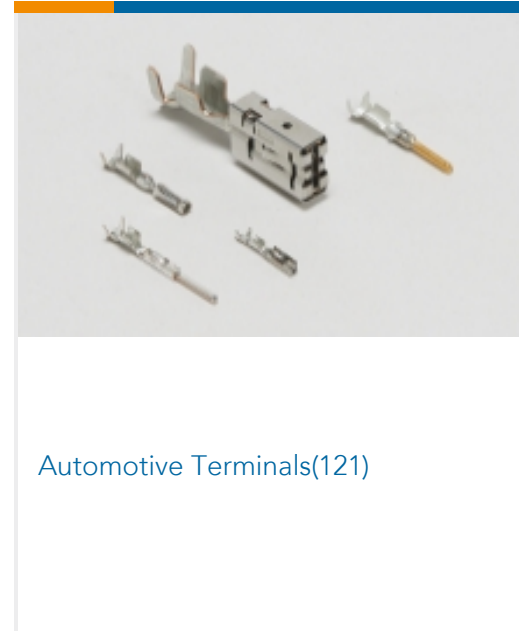
Automotive Connector Caps & Covers (24)



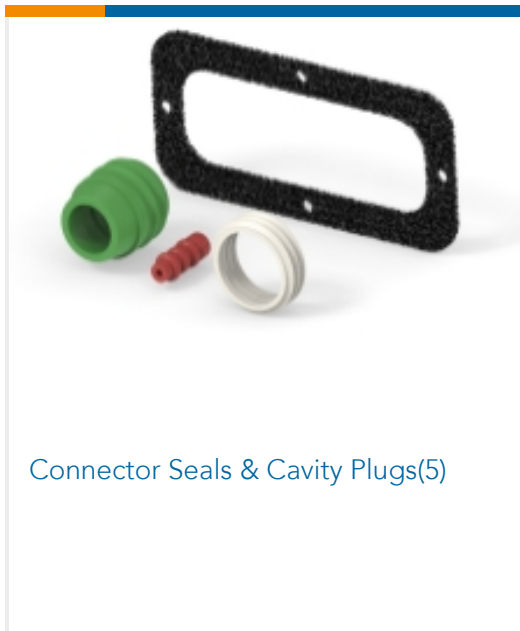
Automotive Connector Locks & Position Assurance(11)



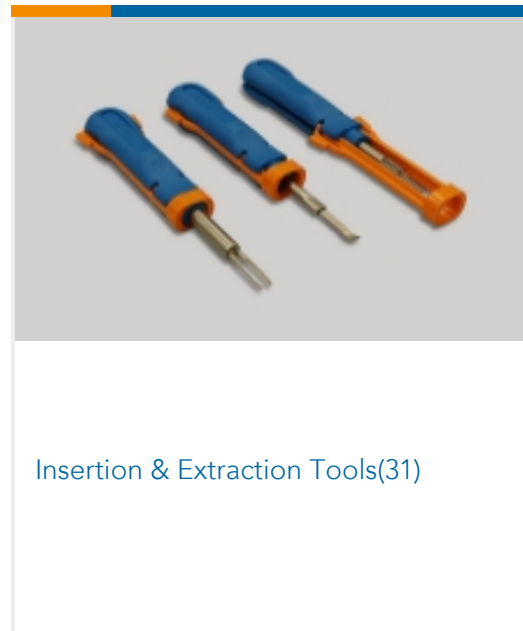
Automotive Housings(318)



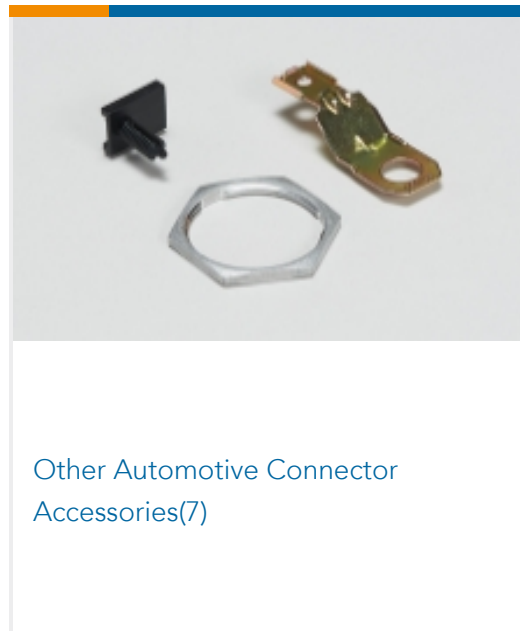
Automotive Terminals(121)



Connector Seals & Cavity Plugs(5)



Insertion & Extraction Tools(31)



Other Automotive Connector Accessories(7)



PCB Headers & Receptacles(1)

Customers Also Bought



TE Part #1-1456426-1
4POS, MCON 1.2 CB REC 2p TL
SEALED



TE Part #173858-6
070 MLC CAP ASS'Y12P



TE Part #284972-1
52POS MQS REC



TE Part #1564980-1
AMP MCP 1.5K, CONTACT



TE Part #2-1564559-1
4POS, MCON 1.2 LL TAB SEALED
COD B



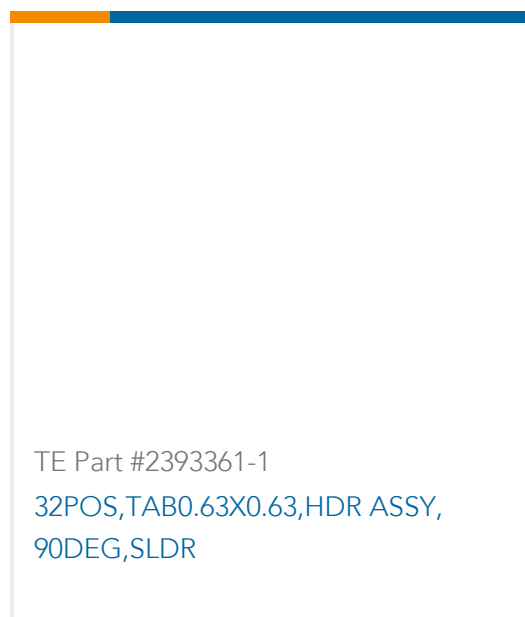
TE Part #2-1718643-1
2POS, MCON 1.2 LL REC SEALED



TE Part #2151082-2
OCEAN_2.0_APPLICATOR-S-
046F057FA



TE Part #2296537-2
REM MONO1.2 TERMINAL



Documents

Product Drawings

[4POS, MCON 1.2 LL REC SEALED](#)

English

CAD Files

[3D PDF](#)

3D

Customer View Model

[ENG_CVM_CVM_2-1718645-1_F.2d_dxf.zip](#)

English

Customer View Model

[ENG_CVM_CVM_2-1718645-1_F.3d_igs.zip](#)

English

Customer View Model

[ENG_CVM_CVM_2-1718645-1_F.3d_stp.zip](#)

English

By downloading the CAD file I accept and agree to the [Terms and Conditions](#) of use.

Datasheets & Catalog Pages

[MCON Interconnection System](#)

English

Product Specifications

[Application Specification](#)

English

[Application Specification](#)

English