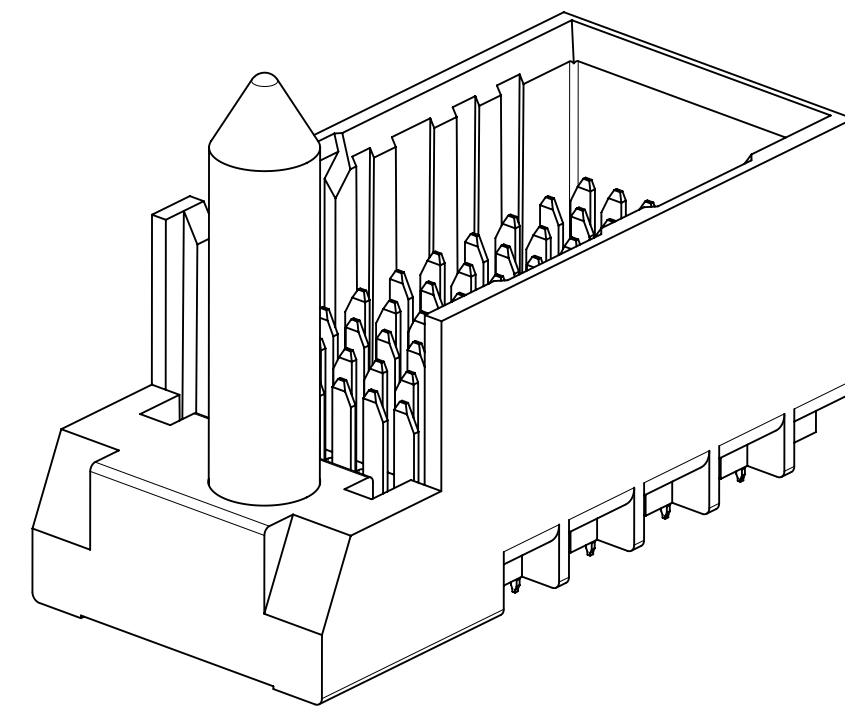


- NOTES:**
1. MATERIALS: HOUSING - LIQUID CRYSTAL POLYMER (LCP) GLASS-FILLED, UL94V-0  
TERMINALS - HIGH PERFORMANCE COPPER ALLOY
  2. FINISH: 30INCH MIN GOLD IN CONTACT AREA.  
SELECTIVE MATTE TIN ON PCB TAILS, NICKEL OVERALL.
  3. REFER TO MOLEX PRODUCT SPECIFICATION PS-76060-999.  
FOR PERFORMANCE SPECIFICATIONS AND ADDITIONAL PCB INFORMATION.
  4. THIS PART CONFORMS TO CLASS B REQUIREMENTS OF  
MOLEX COSMETIC SPEC PS-45499-002.
  5. PARTS PACKAGED PER PK-70873-761
  6. SEE SHEETS 2 & 3 FOR PART NUMBERS AND BOARD RELATIONSHIPS.
  7. MATES WITH IMPACT DC SERIES NO. 171070.
  8. KEEP OUT ZONE FOR BP HOUSING LENGTH INCLUDES AN ADDITIONAL 1.0MM  
TO ACCOMMODATE FOR SPACE REQUIRED BY DC FRONT HOUSING.
  9. REFER TO MOLEX PCB ROUTING GUIDE AS-76060-990 FOR ANTIPAD AND  
ROUTING RECOMMENDATIONS.
  10. CONNECTORS SUPPLIED WITH A 2-56 UNC-2A SCREW.
  11. "THESE DIMENSIONS REPRESENT THE AREA NEEDED TO ACCOMMODATE CONNECTOR  
INSERTION AND REPAIR ON THE PC BOARD. THIS IS REFERRED TO AS THE  
"CONNECTOR KEEP OUT ZONE" AND DOES NOT REPRESENT THE ACTUAL PERIMETER  
OF THE CONNECTOR. WHEN LAYING OUT A PC BOARD FOR CONNECTORS STACKED  
TOGETHER, USE A 1.9mm PROGRESSION."
  12. MINIMUM CIRCUIT BOARD THICKNESS: 1.00

QUALITY SYMBOLS	THIS DRAWING CONTAINS INFORMATION THAT IS PROPRIETARY TO MOLEX ELECTRONIC TECHNOLOGIES, LLC AND SHOULD NOT BE USED WITHOUT WRITTEN PERMISSION		DIMENSION UNITS	SCALE	<b>molex</b>
▽ = 0	2017/11/03	2017/11/30	MM	4:1	
▽ = 0	REMASTERED IN INX	2017/12/01	GENERAL TOLERANCES (UNLESS SPECIFIED)	DRWN BY	DATE
▽ = 0	EC NO: 168852	DRWN: VNANDAM	ANGULAR TOL ± 0.5 °	JBINGHAM	2012/03/29
▽ = 0	CHKD: CD	APPR: GGA	4 PLACES ±	CHKD BY	DATE
▽ = 0			3 PLACES ±	JLAURX	2012/03/29
▽ = 0			2 PLACES ± 0.13	APPR BY	DATE
▽ = 0			1 PLACE ± 0.25	JLAURX	2013/02/07
▽ = 0			0 PLACES ±	DRAWING SIZE	THIRD ANGLE PROJECTION
▽ = 0			DRAFT WHERE APPLICABLE MUST REMAIN WITHIN DIMENSIONS	C	
□ = 0				SERIES	MATERIAL NUMBER
■ = 0				171065	SEE CHART
▽ = 0				DOCUMENT NUMBER	DOC TYPE
				SD-171065-0002	PSD
				DOC PART	SHEET NUMBER
				001	1 OF 3

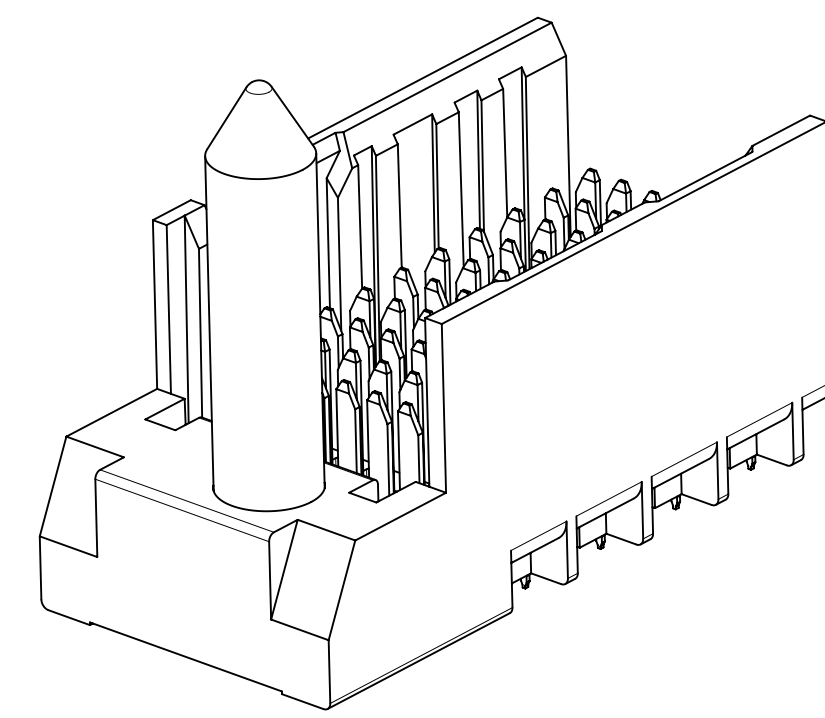
# PART NUMBER CHART

MATERIAL NUMBER	# OF COLUMNS	# OF DIFF PAIR	DIM "A"	DIM "B"	GUIDE RIGHT END WALL OPTION
171065-710*	10	20	26.9	17.10	
171065-760*	16	32	38.3	28.50	



GUIDE LEFT  
ENDWALL

MATERIAL NUMBER	# OF COLUMNS	# OF DIFF PAIR	DIM "A"	DIM "B"	GUIDE RIGHT OPEN WALL OPTION
171065-310*	10	20	25.5	17.10	
171065-360*	16	32	36.9	28.50	



GUIDE LEFT  
OPEN

# PART NUMBER LOGIC

171065 - \* \* 0 \*

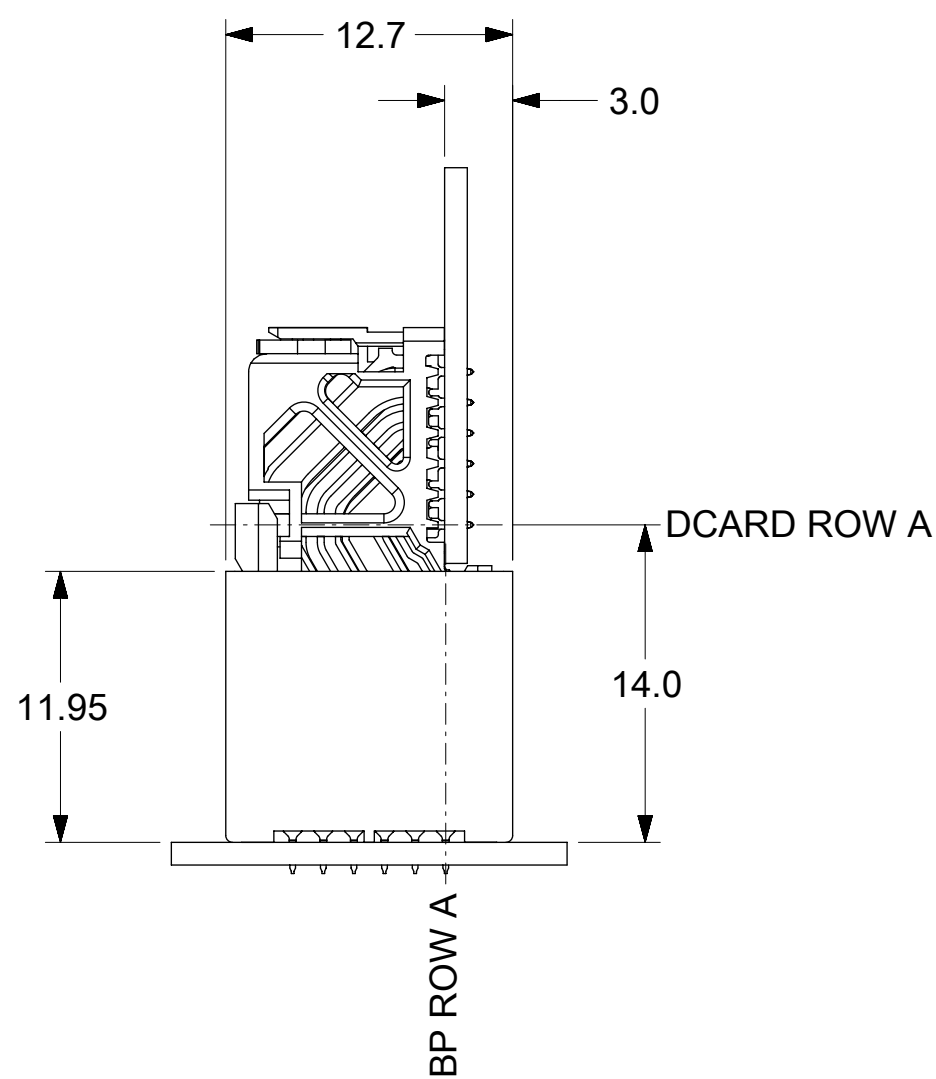
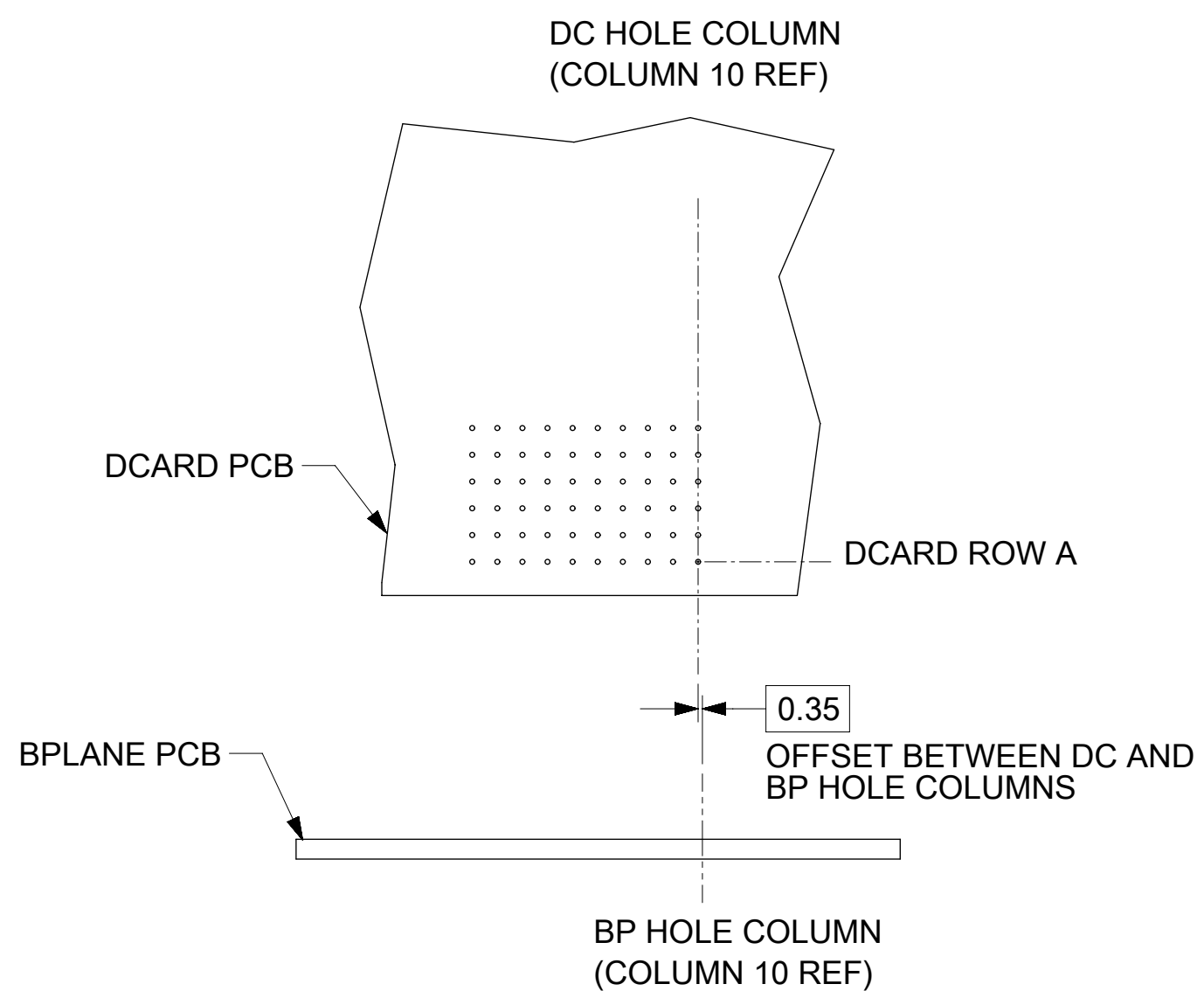
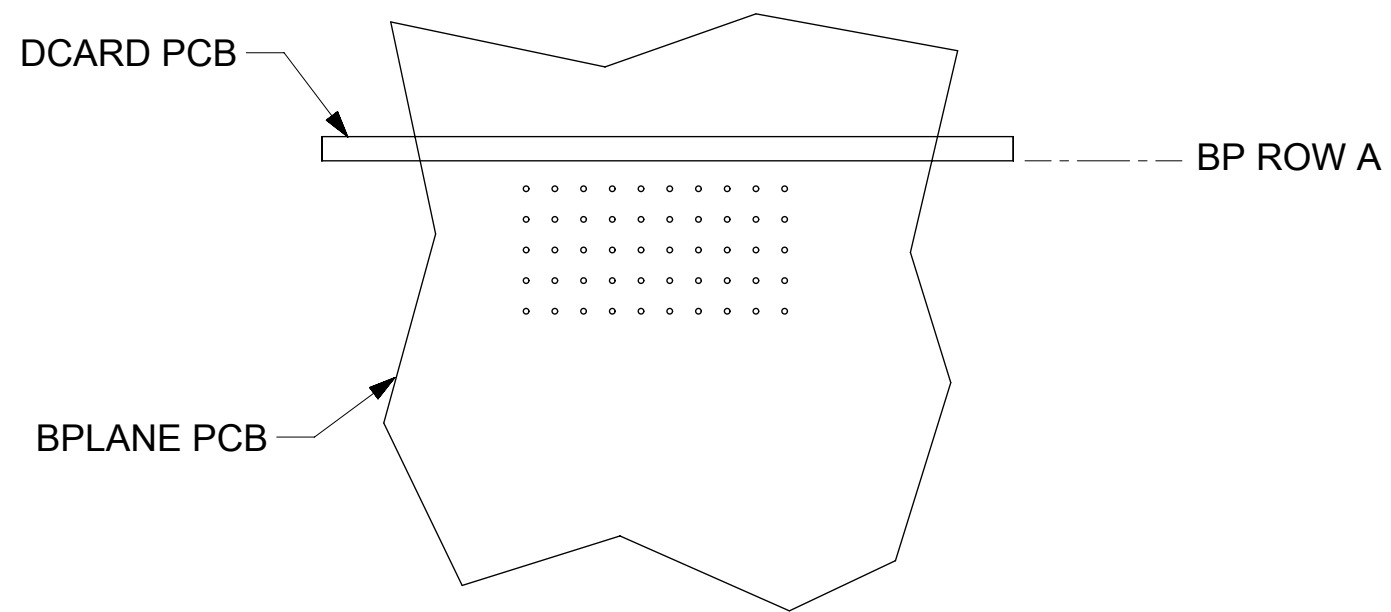
MODULE TYPE  
 3 = GUIDE LEFT, MATTE TIN  
 7 = GUIDE LEFT END WALL, MATTE TIN

# OF COLUMNS  
 1 = 10 COL  
 6 = 16 COL

PIN LENGTH (P)  
 3 = 4.50 (SHORT COMPLIANT, 0.46±0.05 PTH)  
 4 = 4.90 (SHORT COMPLIANT, 0.46±0.05 PTH)  
 5 = 5.50 (SHORT COMPLIANT, 0.46±0.05 PTH)  
 6 = 4.50 (MICRO COMPLIANT, 0.39±0.05 PTH)  
 7 = 4.90 (MICRO COMPLIANT, 0.39±0.05 PTH)  
 8 = 5.50 (MICRO COMPLIANT, 0.39±0.05 PTH)

QUALITY SYMBOLS	THIS DRAWING CONTAINS INFORMATION THAT IS PROPRIETARY TO MOLEX ELECTRONIC TECHNOLOGIES, LLC AND SHOULD NOT BE USED WITHOUT WRITTEN PERMISSION									
▽ = 0	REMASTERED IN INX EC NO: 168852 DRWN: VNANDAM CHKD: CD REV / APPR: GGA	2017/11/03 2017/11/30 2017/12/01	GENERAL TOLERANCES (UNLESS SPECIFIED)		DIMENSION UNITS	SCALE	<b>molex</b> IMPACT 2-PAIR 85-OHM LEFT GUIDED BACKPLANE SALES ASSEMBLY DRAWING			
▽ = 0			ANGULAR TOL ± 0.5 °		MM	4:1				
▽ = 0			4 PLACES ±	JBINGHAM	DATE	PRODUCT CUSTOMER DRAWING				
▼ = 0			3 PLACES ±	CHKD BY	DATE					
▽ = 0			2 PLACES ± 0.13	JLAURX	2012/03/29	SERIES MATERIAL NUMBER CUSTOMER 171065 SEE CHART GENERAL MARKET				
▽ = 0			1 PLACE ± 0.25	APPR BY	DATE					
⊠ = 0			0 PLACES ±	JLAURX	2013/02/07	DOCUMENT NUMBER DOC TYPE DOC PART SHEET NUMBER SD-171065-0002 PSD 001 2 OF 3				
■ = 0			DRAFT WHERE APPLICABLE MUST REMAIN WITHIN DIMENSIONS		DRAWING SIZE					THIRD ANGLE PROJECTION
▽ = 0			C1	REV	C					

# IMPACT 2 PAIR BOARD RELATIONSHIPS



QUALITY SYMBOLS		THIS DRAWING CONTAINS INFORMATION THAT IS PROPRIETARY TO MOLEX ELECTRONIC TECHNOLOGIES, LLC AND SHOULD NOT BE USED WITHOUT WRITTEN PERMISSION										
▽ = 0	▽ = 0	REMASTERED IN INX EC NO: 168852 DRWN: VNANDAM CHKD: CD REV / APPR: GGA	GENERAL TOLERANCES (UNLESS SPECIFIED)			DIMENSION UNITS	SCALE	<b>molex</b>				
▽ = 0	▽ = 0		ANGULAR TOL ± 0.5 °			MM	2:1					
▽ = 0	▽ = 0		4 PLACES ±	DRWN BY		DATE		IMPACT 2-PAIR 85-OHM LEFT GUIDED BACKPLANE SALES ASSEMBLY DRAWING				
▽ = 0	▽ = 0		3 PLACES ±	JBINGHAM		2012/03/29						
▽ = 0	▽ = 0		2 PLACES ± 0.13	CHKD BY		DATE		PRODUCT CUSTOMER DRAWING				
▽ = 0	▽ = 0		1 PLACE ± 0.25	JLAURX		2012/03/29						
▽ = 0	▽ = 0	0 PLACES ±	APPR BY		DATE		SERIES	MATERIAL NUMBER	CUSTOMER			
□ = 0	■ = 0	DRAFT WHERE APPLICABLE MUST REMAIN WITHIN DIMENSIONS	C1		C		THIRD ANGLE PROJECTION		171065	SEE CHART	GENERAL MARKET	
▽ = 0									DOCUMENT NUMBER	DOC TYPE	DOC PART	SHEET NUMBER
									SD-171065-0002	PSD	001	3 OF 3