

PART NAME: KNOB SCALE: 1:1 DATE: 8/22/85 DR. BY HD

THIS DRAWING IS THE PROPERTY OF DAVIES MOLDING COMPANY, IS SUBMITTED SOLELY AS A DESIGN OR ENGINEERING PROJECT.
WE ACCEPT NO RESPONSIBILITY WHATSOEVER FOR THE PRACTICAL APPLICATION OF THE PIECES MADE TO THIS DESIGN.

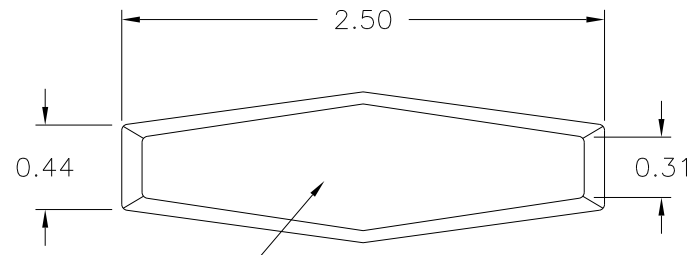


DESIGNERS & MANUFACTURERS
OF KNOBS, HANDLES, CASES &
CUSTOM PLASTIC COMPONENTS

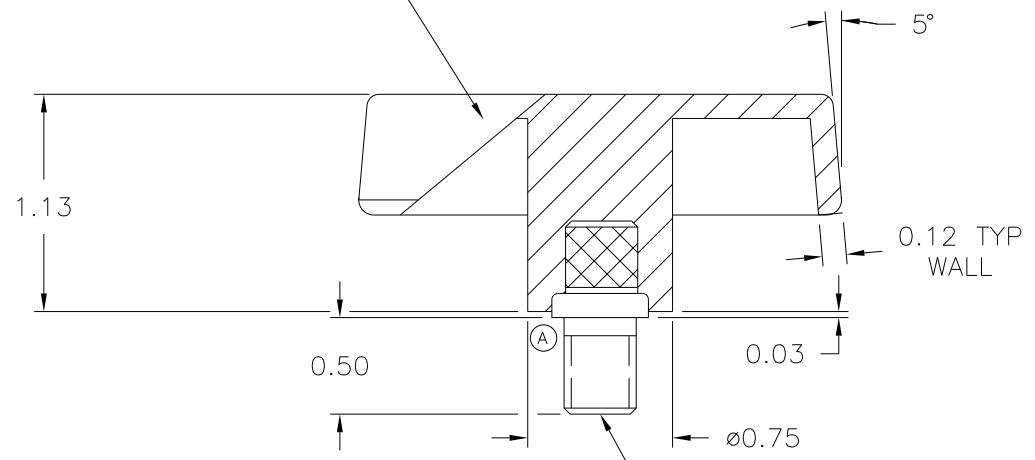
P/N 3088-F

M NO. # 30

| | |
|------------|--------|
| CAVITY | 3088 |
| CORE | 3088 |
| BUSHING | 3088-B |
| EJECT. PIN | 3088 |
| INSERT | 10387 |



TEXTURED AREAS UP TO PARTING LINE (RE-6320)



3/8-16 UNC-2A THREADED
10387, STEEL, ZINC PLATED

(D) MATERIAL: NYLON 6/6 (ZY2), (ZY6)
OR ENGINEERING APPROVED EQUIVALENT
COLOR: BLACK

| | | | |
|---|-------------------------------|-----|----------|
| D | ADDED ZY6 | JAM | 7/13/12 |
| C | ADDED MAT. CODE | JAM | 1/2/07 |
| B | 10387 WAS 11501 | RF | 4/29/04 |
| A | UPDATED INSERT ADDED SPACE | JAM | 3/7/02 |
| - | RE-DID REDRAW | TL | 11/12/99 |
| - | CAD REDRAW | HD | 6/14/93 |

| | |
|---|----------------------------------|
| TOLERANCES: UNLESS OTHERWISE SPECIFIED | DO NOT SCALE DRAWING |
| DECIMALS: X.XXX ± .005 X.XX ± .015 | MM: X.XX ± 0.15MM X.X ± 0.4MM |
| FRACTIONS ± 1/64 | ANG. ± 1° |

CHANGES