

Part Number: D3I4080Y

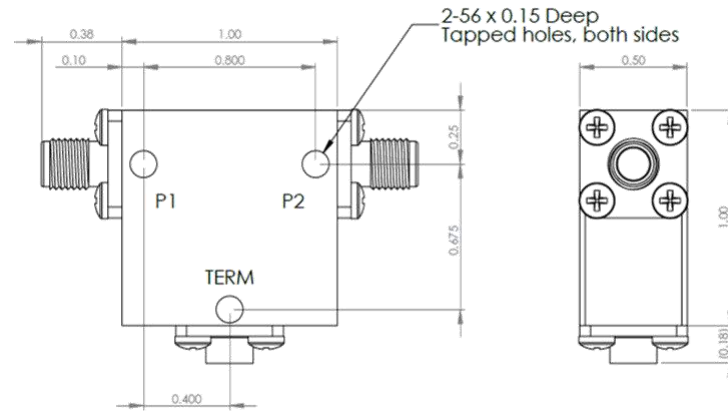
Electrical Specifications

| | |
|------------------------|-----------------|
| Frequency Range (GHz): | 4.0 – 8.0 |
| Isolation (dB): | 16 MIN |
| Insertion Loss (dB): | 0.4 MAX |
| Return Loss (dB): | 16 MIN |
| Forward Power (W): | 30 AVG 50 PK |
| Reflective Power (W): | 2 AVG |

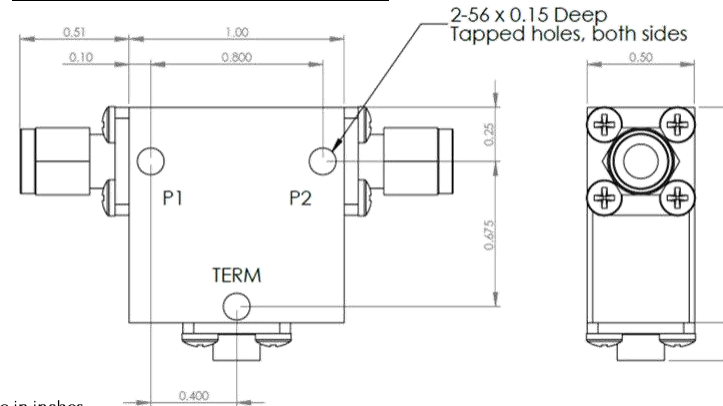
Mechanical/Environmental Specifications

| | |
|-------------------|----------------------------|
| Connector Type: | SMA |
| Connector Body: | Passivated stainless steel |
| Connector Pin: | Gold plated copper |
| Load Body: | Brass |
| Magnetic Shunt: | Nickel plated CRS |
| Operational Temp: | < 77K |
| Weight (oz) | 2.0 MAX |

D3I4080Y Dimensions



D3I4080Y-3 Dimensions



Dimensions are in inches
Tolerance

XX ±0.03
XXX ±0.010

| Type of Device | PN Suffix | Connector Configuration Input / Output | PN Example |
|---|-----------|---|------------|
| Single and Dual Junction Isolator, 2-Port Device | N/A | Female / Female | D3I4080Y |
| | -1 | Male / Female | D3I4080Y-1 |
| | -2 | Female / Male | D3I4080Y-2 |
| | -3 | Male / Male | D3I4080Y-3 |



MEASURED DATA

Part Number: D3I4080Y, Measured at 77K

