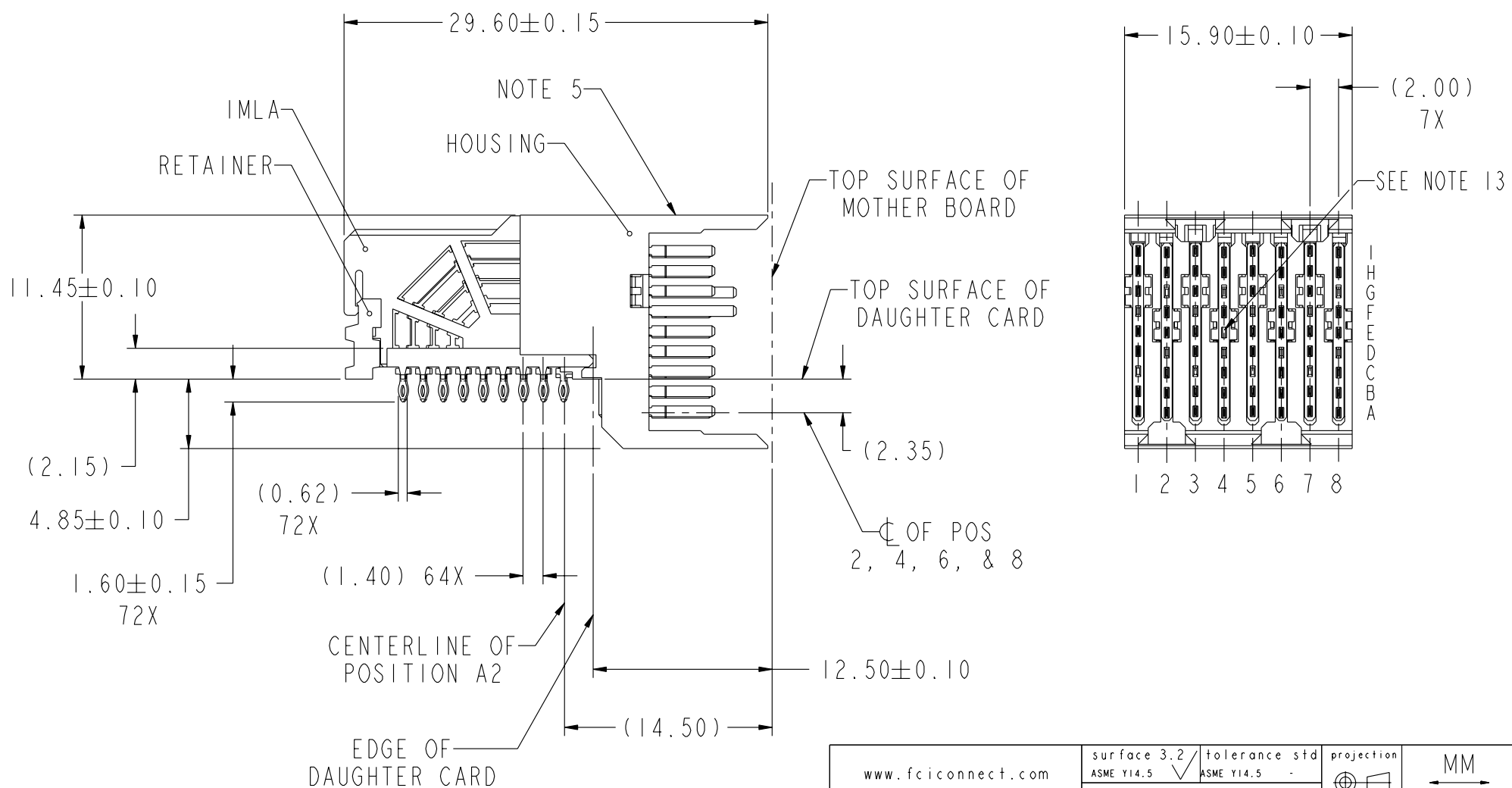


PRODUCT NUMBER
SEE TABLE, SHEET 5



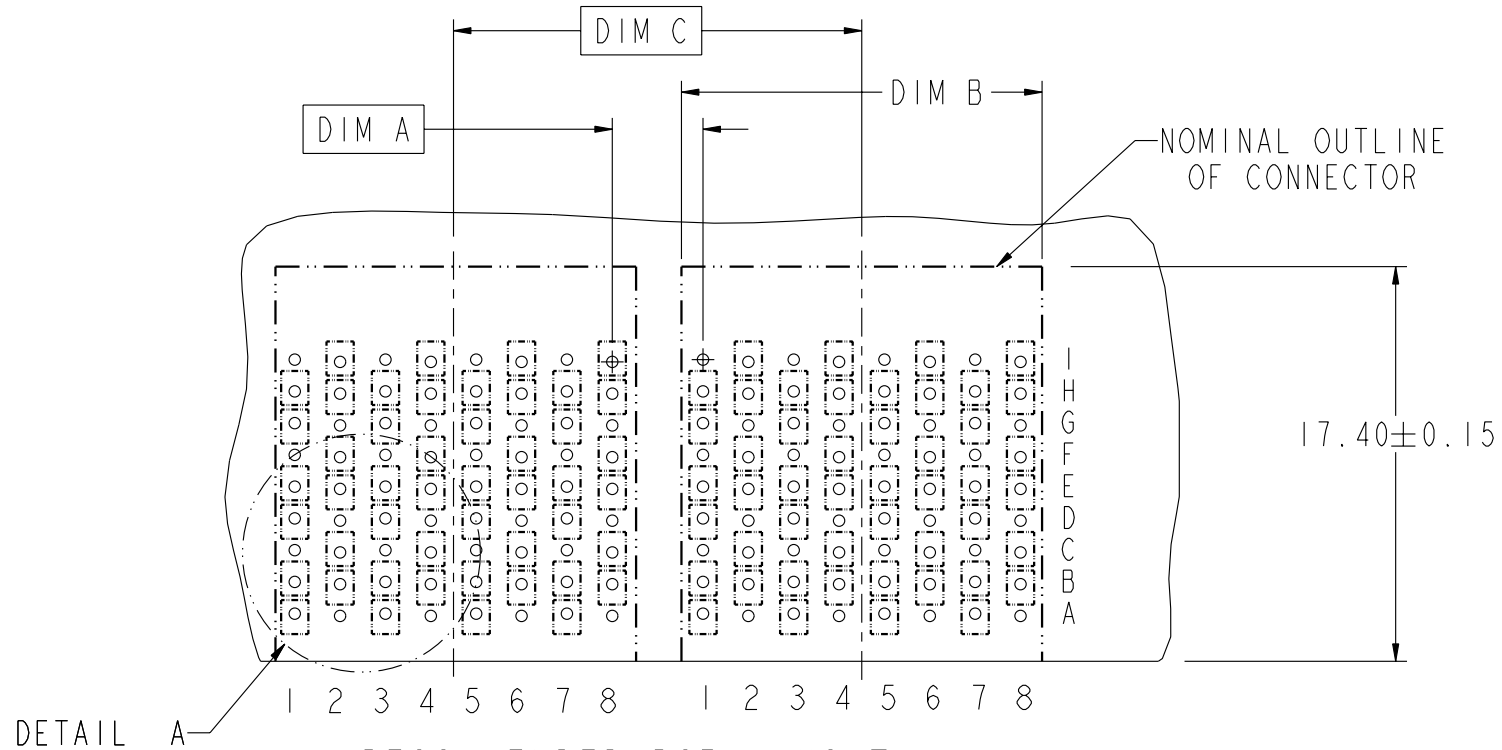
Copyright FCI.

rev	ecn no	dr	date
A	V05-0461	LRJ	2006-02-24
B	V06-0209	LRJ	2006-03-01
C	V06-0531	SCS	2006-06-07
D	S06-0374	DG	2006-12-21
-	-	-	-
-	-	-	-
-	-	-	-

www.fciconnect.com		surface 3.2 ASME Y14.5	tolerance std ASME Y14.5	projection MM
TOLERANCES UNLESS OTHERWISE SPECIFIED		ANGULAR	LINEAR	size A4
Dr	D. BUSH	2004-10-01	0.X	±
Eng	S. MINICH	2004-10-01	0.XX	±
Chr	C. H. TAN	2006-12-21	0.XXX	±
Appr	JOEY NG	2006-12-21	ECN ***	
Product family		AirMax VS		Spec ref
AirMax VS R/A HEADER ASSY		dwg no		10045266
PRESS-FIT, 72 POS, 16MM		Rev.		D
catalog no		CUSTOMER		sheet 1 of 5

REV F - 2006-04-17

DESCRIPTION	DIM A	DIM B	DIM C
2-16MM MODULES PLACED END-TO-END	2.00	15.90 2X	16.00
1-16MM MODULE & 1-18MM MODULE PLACED END-TO-END	3.00	15.90 1X & 17.90 1X	17.00



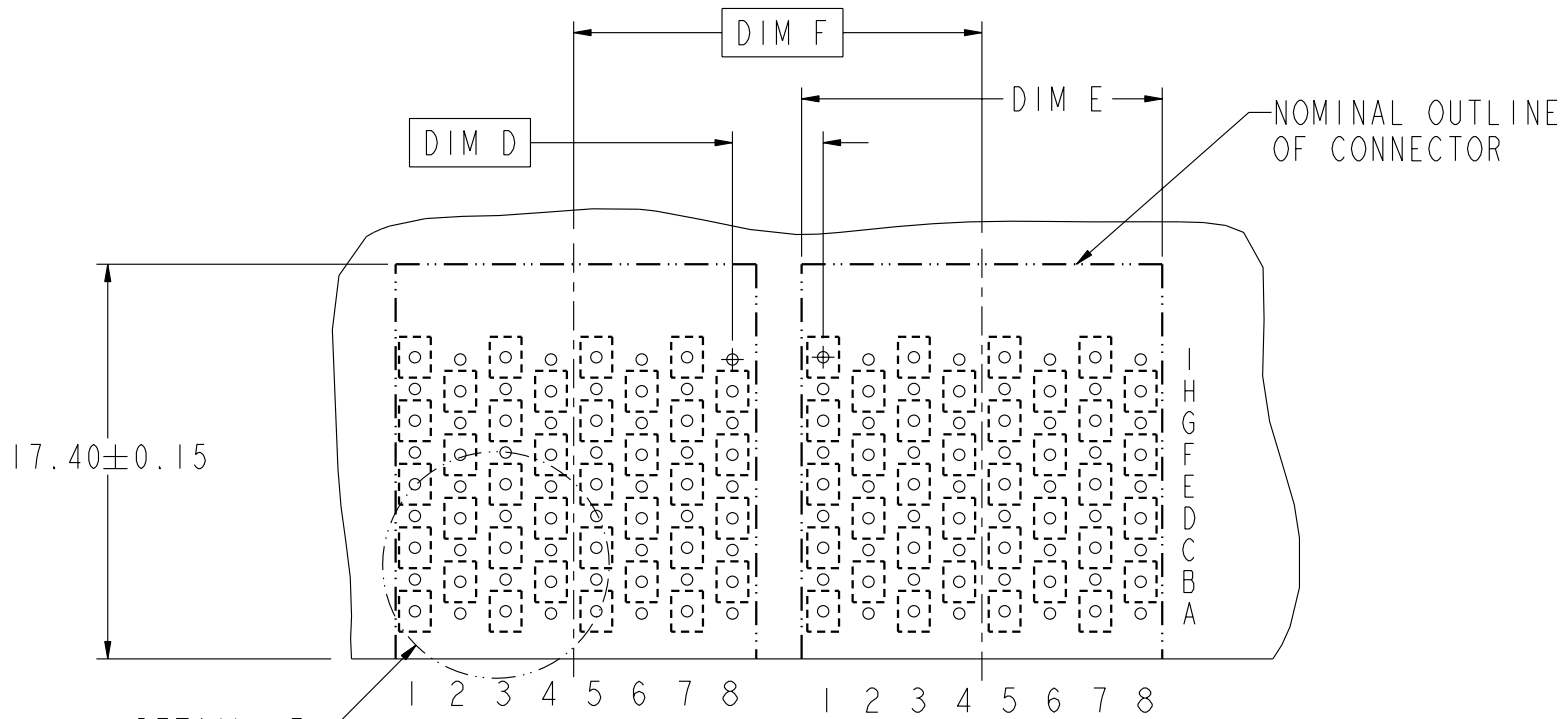
RECOMMENDED PCB LAYOUT
FOR DIFFERENTIAL APPLICATIONS
COMPONENT SIDE
(TWO ADJACENT FOOTPRINTS SHOWN)
NOTES 6 & 7

FCI	title	AirMax VS R/A HEADER ASSY	dwg no	10045266	Rev.	D
	catalog no	-	CUSTOMER	sheet 2 of 5		



Copyright FCI.

DESCRIPTION	DIM D	DIM E	DIM F
2-16MM MODULES PLACED END-TO-END	2.00	15.90 2X	16.00
1-16MM MODULE & 1-18MM MODULE PLACED END-TO-END	3.00	15.90 1X & 17.90 1X	17.00



RECOMMENDED PCB LAYOUT
FOR SINGLE ENDED APPLICATIONS
COMPONENT SIDE
(TWO ADJACENT FOOTPRINTS SHOWN)
NOTES 6 & 7

	AirMax VS R/A HEADER ASSY PRESS-FIT, 72 POS, 16MM	dwg no 10045266	Rev. D
	catalog no -	CUSTOMER	sheet 3 of 5

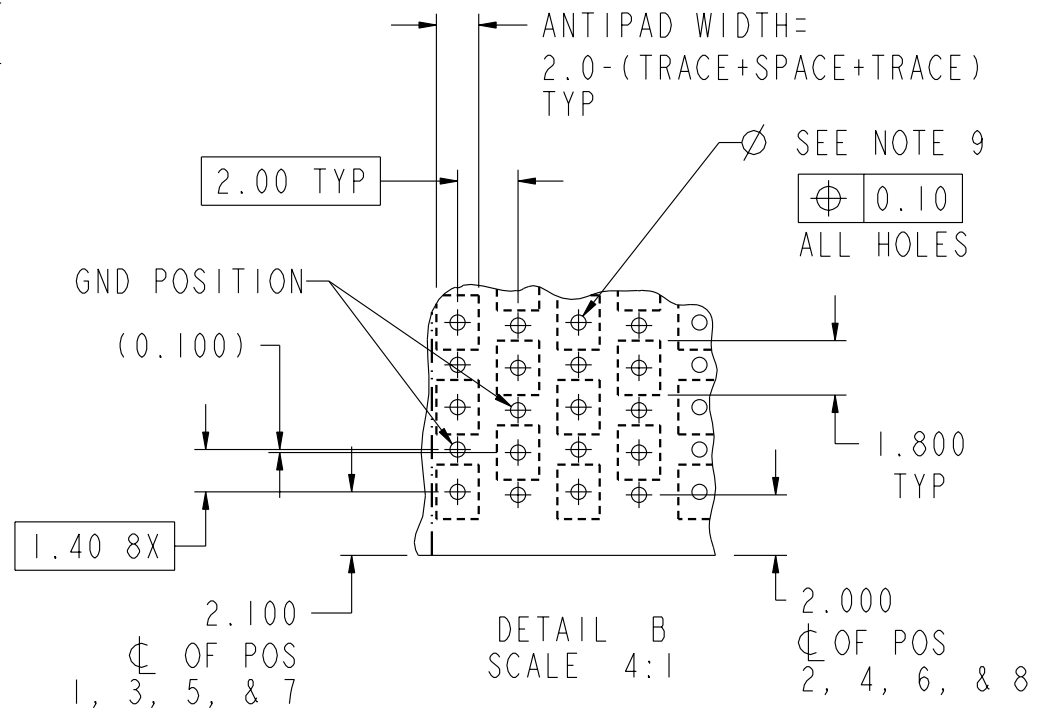
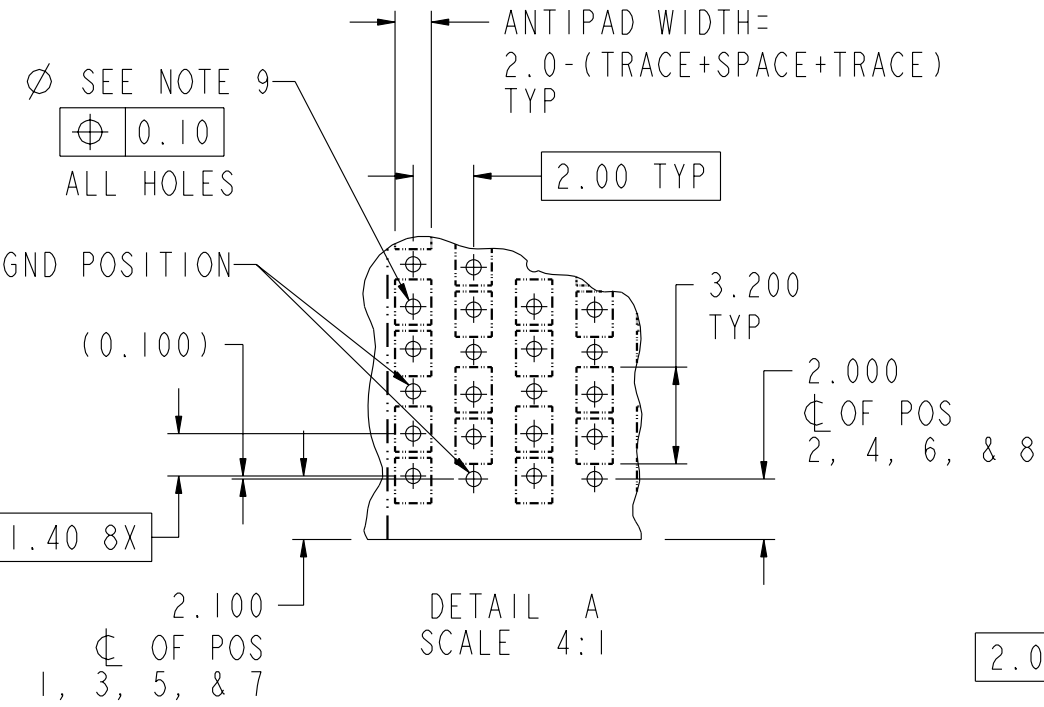


Copyright FCI.



Copyright FCI.

A
B
C
D



REV F - 2006-04-17



title	AirMax VS R/A HEADER ASSY	dwg no	10045266	Rev.	D
	PRESS-FIT, 72 POS, 16MM				
catalog no	-	CUSTOMER	sheet 4 of 5		

PART NUMBER	PRESS-FIT TAIL PLATING TYPE	SHORT DETECT CONTACT
10045266-101	TIN/LEAD ALLOY OVER NICKEL	NO
10045266-101LF	TIN OVER NICKEL (LEAD FREE)	
10045266-111	TIN/LEAD ALLOY OVER NICKEL	YES (SEE NOTE 13)
10045266-111LF	TIN OVER NICKEL (LEAD FREE)	

NOTES:

1. CONNECTOR MATERIALS:
 HOUSING & RETAINER: HIGH TEMP THERMOPLASTIC, NATURAL, UL94V-0
 IMLA PLASTIC: HIGH TEMP THERMOPLASTIC, BLACK, UL94V-0
 CONTACT: COPPER ALLOY

2. CONTACT PLATING:
 SEPARABLE INTERFACE:
 PERFORMANCE-BASED PLATING, QUALIFIED TO MEET THE REQUIREMENTS OF FCI PRODUCT SPECIFICATION GS-12-239 INCLUDING TELCORDIA GR-1217-CORE (NOVEMBER 1995) CENTRAL OFFICE TEST SEQUENCE

PRESS-FIT TAILS: SEE TABLE

3. PRODUCT SPECIFICATION: GS-12-239

4. APPLICATION SPECIFICATION: GS-20-035

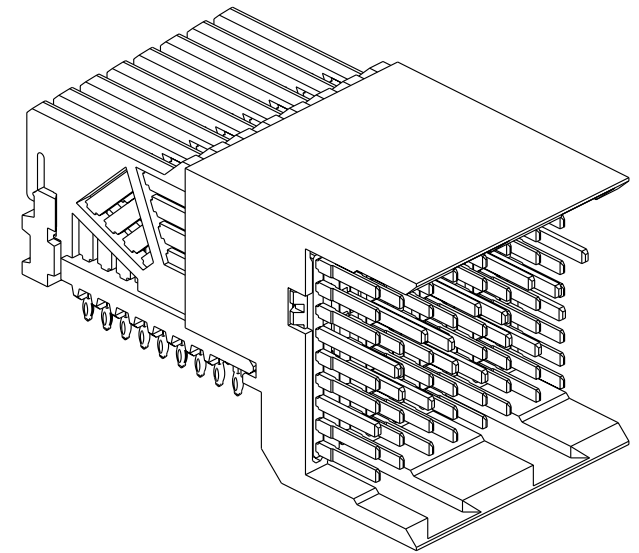
5. PRODUCT MARKING, (PART NUMBER & LOT CODE), ON THIS SURFACE

6. REFER TO CUSTOMER DRAWING 10035911 FOR INFORMATION REGARDING PCB LAYOUT OF POWER AND GUIDE MODULES RELATIVE TO SIGNAL MODULES

7. POSITIONS F OF ODD NUMBERED COLUMNS AND POSITIONS G OF EVEN NUMBERED COLUMNS CORRESPOND TO EARLY MATE HEADER PINS

8. THERE IS NO GROUND BUSSING WITHIN THE CONNECTOR SYSTEM

9. REFER TO CUSTOMER DRAWING 10045979 FOR INFORMATION ON PCB HOLE DIAMETERS AND PLATING OPTIONS.



10. LEAD FREE PRODUCT MEETS EUROPEAN UNION DIRECTIVES AND OTHER COUNTRY REGULATIONS AS DESCRIBED IN GS-22-008.

11. THE HOUSING WILL WITHSTAND EXPOSURE TO 260°C PEAK TEMPERATURE FOR 40 SECONDS IN A CONVECTION, INFRA-RED OR VAPOR PHASE REFLOW OVEN.

12. PACKAGING MEETS GS-14-920 LEAD FREE LABELING SPECIFICATION.

13. MATING PIN E4 HAS 0.5mm LESS NOMINAL WIPE THAN THE SHORTEST SIGNAL PIN.



title	AirMax VS R/A HEADER ASSY	dwg no	10045266	Rev.	D
	PRESS-FIT, 72 POS, 16MM				
catalog no	-	CUSTOMER	sheet 5 of 5		

