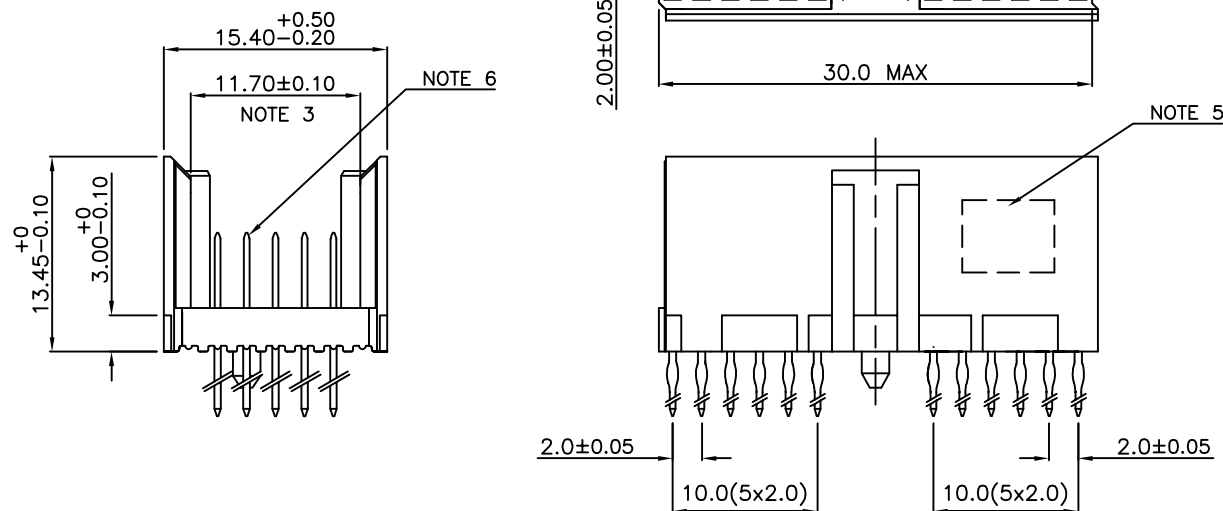


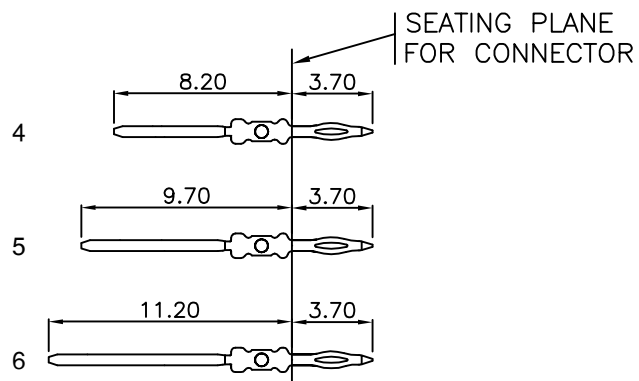
LOADING PATTERN MATING SIDE

f	0	0	0	0	0	0				0	0	0	0	0	0
e	5	5	5	5	5	5				5	5	5	5	5	5
d	5	5	5	5	5	5				5	5	5	5	5	5
c	5	5	5	4	5	5				5	5	5	5	5	5
b	5	5	5	5	5	5				5	5	5	5	5	5
a	5	5	6	6	5	5				5	5	5	5	5	5
z	0	0	0	0	0	0				0	0	0	0	0	0
POS	0									1					5
	1									0					5

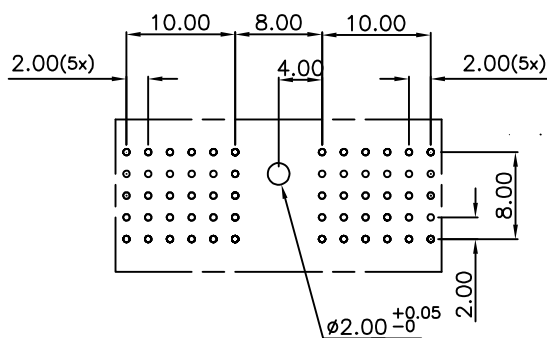
LOADED CONNECTOR ASSEMBLY (FOR EXAMPLE)



CONTACT OVERVIEW



LAY-OUT P.C.B.-HOLE



LEAD FREE INDICATOR : LF = LEAD FREE (DIGIT 15 & 16)

HM2P27PDG320

PLATING CODE (DIGIT 13 AND 14) (REF DRW NO. BS,C , 201844 , 003)

NOTES

- THIS PRODUCT IS CSA APPROVED.
- THIS PRODUCT IS UL RECOGNIZED.
- MEASURED AT THE BOTTOM.
- MATERIAL CONTACT: PHOSPHORBRONZE
HOUSING: CREAM WHITE GLASS FILLED POLYESTER UL-94V0
- CONNECTOR PRINTED WITH P/N AND DATE CODE.
- FOR ACTUAL CONTACT LOADINGS, SEE LOADING PATTERN MATING SIDE.
- SHAPE OF CONNECTOR HOUSING CAN ALTER DEPENDING ON PRODUCTION LOCATION
- THE PRODUCT (LF) MEETS EUROPEAN UNION DIRECTIVES AND OTHER COUNTRY REGULATIONS AS DESCRIBED IN GS-22-008
- FOR RECOMMENDED PTH DIMENSIONS REFER DRAWING : BS, A , 201572 , 001

CATALOG NO: HM2P27PDG320- - - -

mat'l. code SEE NOTE 4				surface ISO 1302 ✓		tolerance ISO 406 ISO 1101		projection MM		product family MLLIPACS			
litr				ecn no		dr		date		tolerances unless otherwise specified		title	
A				105-0025		MINI		2005-02-22		angles		linear	
B				105-0199		MINI		2005-11-05		0°±1°		scale -	
C				106-0099		MINI		2006-07-03		dr		MINI K VANDANATH 2005-02-22	
										engr		BIJU K PAUL 2005-02-22	
										chr		BIJU K PAUL 2006-07-03	
										appd		BIJU K PAUL 2006-07-03	
sheet index		revision sheet		c								dwg no sheet 1 of 1	
		1										size A3	
												type Product Customer Drawing	

FCI
FCIconnect.com

Copyright FCI