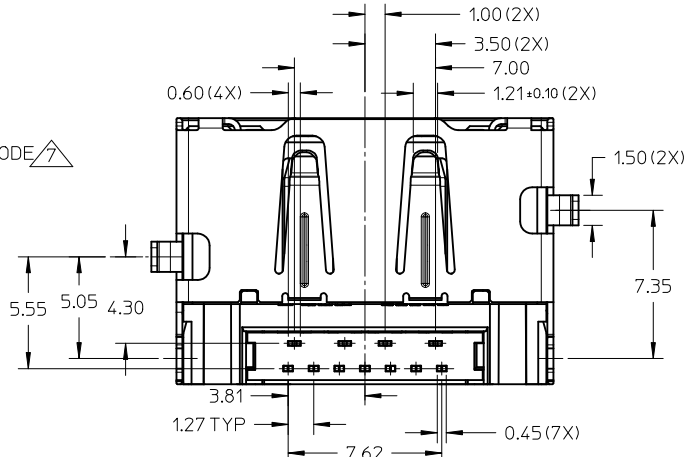
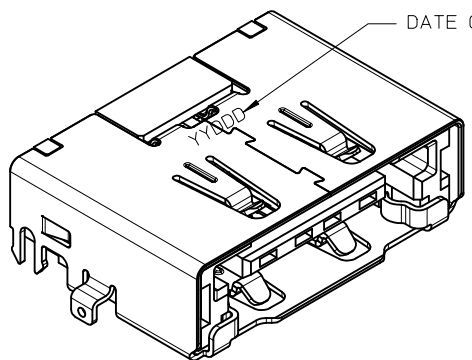


NOTES:
 1. MATERIAL:
 HOUSING: HIGH TEMPERATURE THERMOPLASTIC, GLASS FILLED, BLACK, UL94V-0.
 BASEPLATE: HIGH TEMPERATURE THERMOPLASTIC, GLASS FILLED, BLACK, UL94V-0.
 TERMINAL: COPPER ALLOY.
 METAL SHELL: STAINLESS STEEL.
 2. PLATING FINISHES
 TERMINAL: SEE TABLE
 METAL SHELL PLATING: 127µm MIN SOLDERABLE NICKEL PLATING.
 3. PRODUCT SPECIFICATION: PS-78560-001
 4. PACKAGE SPECIFICATION: PK-78560-001
 5. MATES WITH TYPICAL ESATA AND USB COMPLIANT CABLES
 6. PRODUCT COMPLIANT TO Rohs DIRECTIVE 2002/95/EC AND ELV DIRECTIVE 2000/53/EC.
 △ DATE CODE: YYDDD, 'YY' REPRESENTS YEAR, 'DDD' REPRESENTS DAY.

PIN ASSIGNMENT

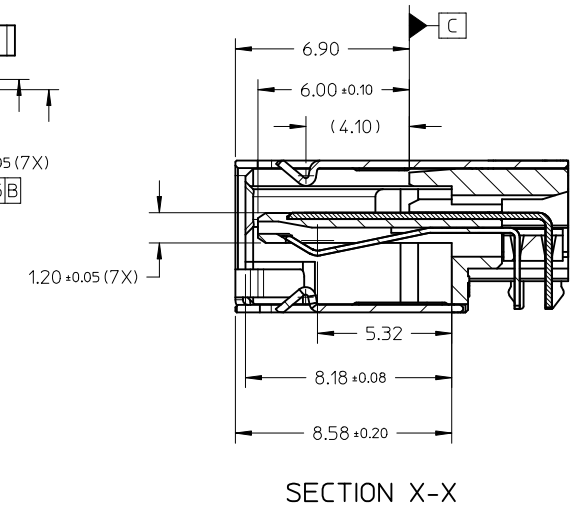
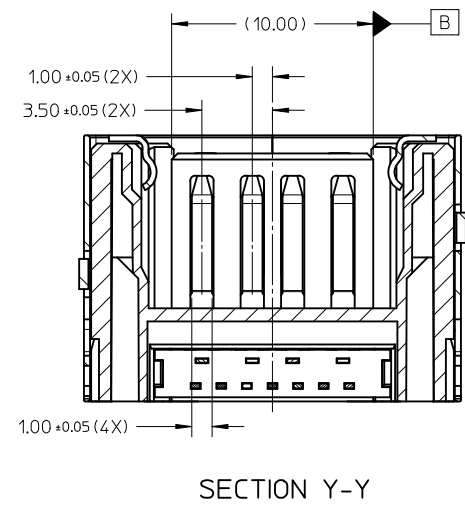
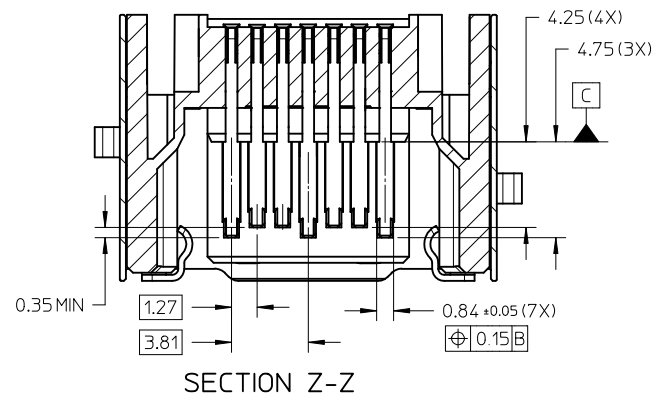
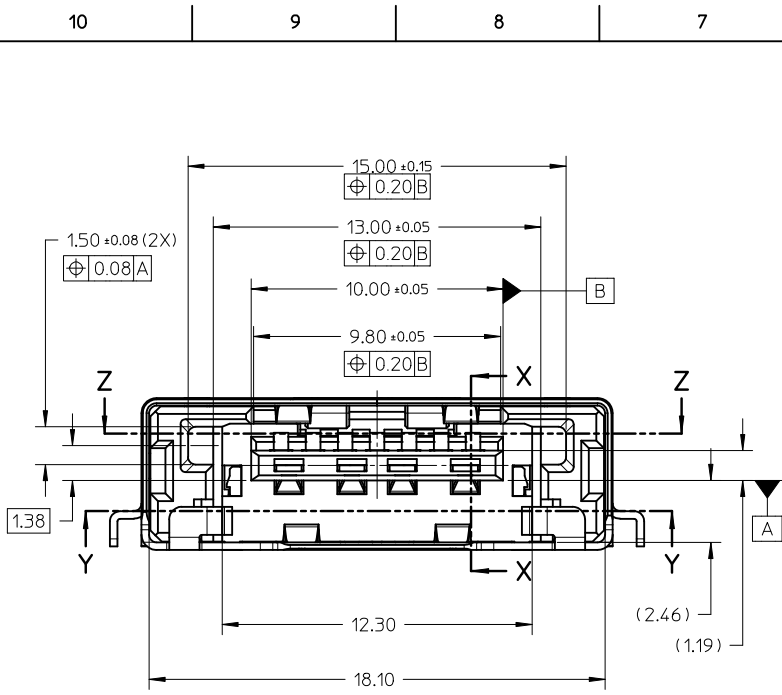
USB		ESATA	
NAME	TYPE	NAME	TYPE
P1	VBUS	S1	GND
P2	D-	S2	A+
P3	D+	S3	A-
P4	GND	S4	GND
		S5	B-
		S6	B+
		S7	GND



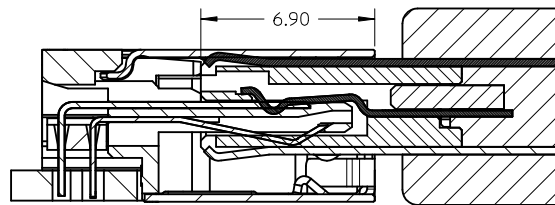
PLATING SPECIFICATION

PART NAME	CONTACT MATING AREA	SOLDERTAIL AREA
78560-0001	GOLD (0.76µm MIN.)	MATTE TIN (2.54µm MIN.)
	OVER NICKEL (1.27µm MIN.) PLATING	
78560-0002	GOLD (0.38µm MIN.)	MATTE TIN (2.54µm MIN.)
	OVER NICKEL (1.27µm MIN.) PLATING	

UPDATE TIN PLATING EC NO: S2011-0224 DRW:KHLIM 2010/09/09 CHKD:JTAN02 2010/09/20 APPR:SKTOH 2010/09/24	QUALITY SYMBOLS F _A =0 F _C =0 F _P =0	GENERAL TOLERANCES (UNLESS SPECIFIED) mm INCH 4 PLACES ± --- ± --- 3 PLACES ± --- ± --- 2 PLACES ± 0.25 ± --- 1 PLACE ± --- ± --- ANGULAR ± 3°	DIMENSION STYLE MM ONLY DRAWN BY: KHLIM CHECKED BY: CGOH APPROVED BY: BOKOK MATERIAL NO.: SEE TABLE DATE: 2009/10/09 DATE: 2009/12/01 DATE: 2010/04/30	SCALE: NTS DESIGN UNITS: METRIC THIRD ANGLE PROJECTION	TITLE: ESATA AND USB COMBO TOP MOUNT/ SINK TYPE 1.80MM HEIGHT MOLEX INCORPORATED DOCUMENT NO.: SD-78560-001 SHEET NO.: 1 OF 4	
	DRAFT WHERE APPLICABLE MUST REMAIN WITHIN DIMENSIONS	SIZE: A3 THIS DRAWING CONTAINS INFORMATION THAT IS PROPRIETARY TO MOLEX INCORPORATED AND SHOULD NOT BE USED WITHOUT WRITTEN PERMISSION				
	REV: A6					
	DATE CODE: YYDDD, 'YY' REPRESENTS YEAR, 'DDD' REPRESENTS DAY.					

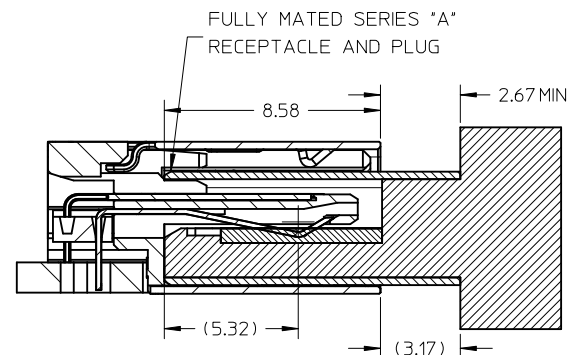


UPDATE TIN PLATING EC NO: S2011-0224 DRW:KHLIM 2010/09/09 CHKD:JTAN02 2010/09/20 APPR:SKTOH 2010/09/24	QUALITY SYMBOLS $F_A=0$ $F_C=0$ $F_B=0$	GENERAL TOLERANCES (UNLESS SPECIFIED)		DIMENSION STYLE MM ONLY	SCALE NTS	DESIGN UNITS METRIC	THIRD ANGLE PROJECTION															
		<table border="1"> <thead> <tr> <th></th> <th>mm</th> <th>INCH</th> </tr> </thead> <tbody> <tr> <td>4 PLACES</td> <td>± ---</td> <td>± ---</td> </tr> <tr> <td>3 PLACES</td> <td>± ---</td> <td>± ---</td> </tr> <tr> <td>2 PLACES</td> <td>± 0.25</td> <td>± ---</td> </tr> <tr> <td>1 PLACE</td> <td>± ---</td> <td>± ---</td> </tr> </tbody> </table>		mm	INCH	4 PLACES	± ---	± ---	3 PLACES	± ---	± ---	2 PLACES	± 0.25	± ---	1 PLACE	± ---	± ---	DRAWN BY KHLIM	DATE 2009/10/09	ESATA AND USB COMBO TOP MOUNT/ SINK TYPE 1.80MM HEIGHT		
			mm	INCH																		
		4 PLACES	± ---	± ---																		
3 PLACES	± ---	± ---																				
2 PLACES	± 0.25	± ---																				
1 PLACE	± ---	± ---																				
ANGULAR ± 3 °	CHECKED BY CGOH	DATE 2009/12/01																				
A6	DRAFT WHERE APPLICABLE MUST REMAIN WITHIN DIMENSIONS	APPROVED BY BOKOK	DATE 2010/04/30	MATERIAL NO. SEE TABLE	DOCUMENT NO. SD-78560-001	SHEET NO. 2 OF 4																
				SIZE A3	THIS DRAWING CONTAINS INFORMATION THAT IS PROPRIETARY TO MOLEX INCORPORATED AND SHOULD NOT BE USED WITHOUT WRITTEN PERMISSION																	



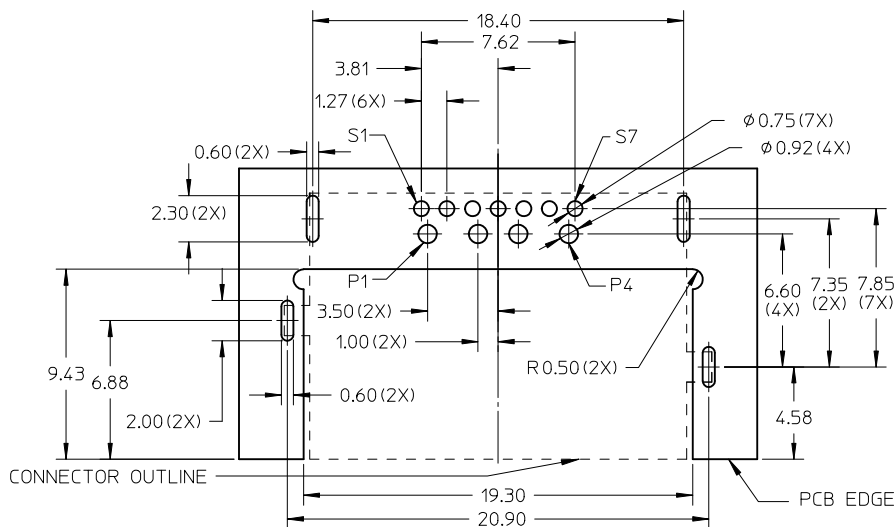
MATING WITH ESATA CABLE

SECTION W-W



MATING WITH USB CABLE

SECTION U-U



CONNECTOR OUTLINE

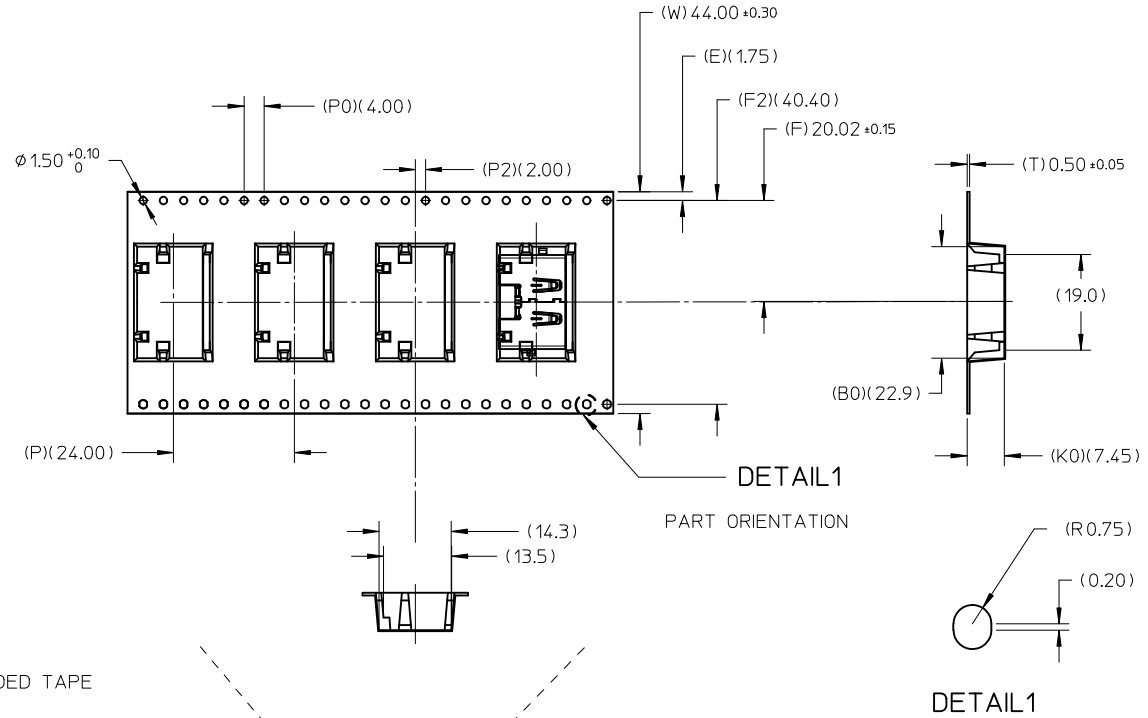
PCB EDGE

RECOMMEND PCB LAYOUT T=1.20

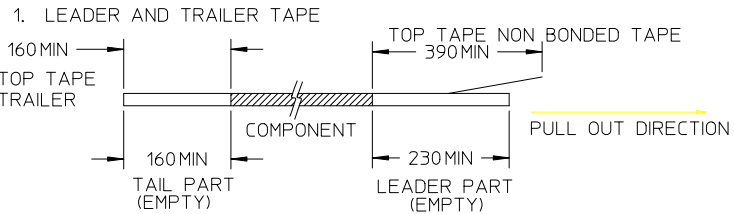
PCB TOLERANCE : ±0.05

UPDATE TIN PLATING EC NO: S2011-0224 DRW:KHLIM 2010/09/09 CHKD:JTAN02 2010/09/20 APPR:SKTOH 2010/09/24	QUALITY SYMBOLS $F_A=0$ $F_C=0$ $F_P=0$	GENERAL TOLERANCES (UNLESS SPECIFIED)		DIMENSION STYLE MM ONLY		SCALE NTS	DESIGN UNITS METRIC	THIRD ANGLE PROJECTION		
			mm	INCH	DRAWN BY	DATE	TITLE			
		4 PLACES	± ---	± ---	KHLIM	2009/10/09	ESATA AND USB COMBO TOP MOUNT/ SINK TYPE 1.80MM HEIGHT			
		3 PLACES	± ---	± ---	CHECKED BY	DATE				
2 PLACES	± 0.25	± ---	CGOH	2009/12/01	MOLEX INCORPORATED					
1 PLACE	± ---	± ---	APPROVED BY	DATE						
	ANGULAR ± 3 °		BOKOK	2010/04/30	MATERIAL NO.	DOCUMENT NO.			SHEET NO.	
	DRAFT WHERE APPLICABLE MUST REMAIN WITHIN DIMENSIONS		SEE TABLE		SD-78560-001			3 OF 4		
A6	REV			SIZE	THIS DRAWING CONTAINS INFORMATION THAT IS PROPRIETARY TO MOLEX INCORPORATED AND SHOULD NOT BE USED WITHOUT WRITTEN PERMISSION					

CUSTOMER PULLOUT DIRECTION



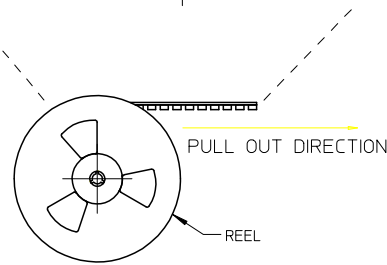
NOTES:



2. PEELING OFF FORCE OF THE TOP TAPE: 10-130gf MAX.
(PEELING DIRECTION AS SHOWN IN FOLLOWING FIGURE)



- 3. PACKAGING QTY: 320 PCS/REEL
- 4. PACKAGING STANDARD IS AS PER EIA-481.
- 5. MATERIAL: POLYSTYRENE. ANTISTATIC.
- 6. COLOR: BLACK



UPDATE TIN PLATING EC NO: S2011-0224 DRW:KHLIM CHKD:JTAN02 APPR:SKTOH	2010/09/09 2010/09/20 2010/09/24	DESCRIPTION QUALITY SYMBOLS $F_A=0$ $F_C=0$ $F_P=0$	GENERAL TOLERANCES (UNLESS SPECIFIED)		DIMENSION STYLE MM ONLY		SCALE NTS	DESIGN UNITS METRIC	THIRD ANGLE PROJECTION			
				4 PLACES ± --- ± --- 3 PLACES ± --- ± --- 2 PLACES ± 0.25 ± --- 1 PLACE ± --- ± ---	mm INCH	DRAWN BY KHLIM	DATE 2009/10/09	TITLE ESATA AND USB COMBO TOP MOUNT/ SINK TYPE 1.80MM HEIGHT				
				ANGULAR ± 3 °	DRAFT WHERE APPLICABLE MUST REMAIN WITHIN DIMENSIONS		CHECKED BY CGOH	DATE 2009/12/01	MOLEX INCORPORATED			
	A6		REV	SIZE A3	SEE TABLE		APPROVED BY BOKOK	DATE 2010/04/30	MATERIAL NO.	DOCUMENT NO. SD-78560-001	SHEET NO. 4 OF 4	